

STAINLESS METAL CRAFT

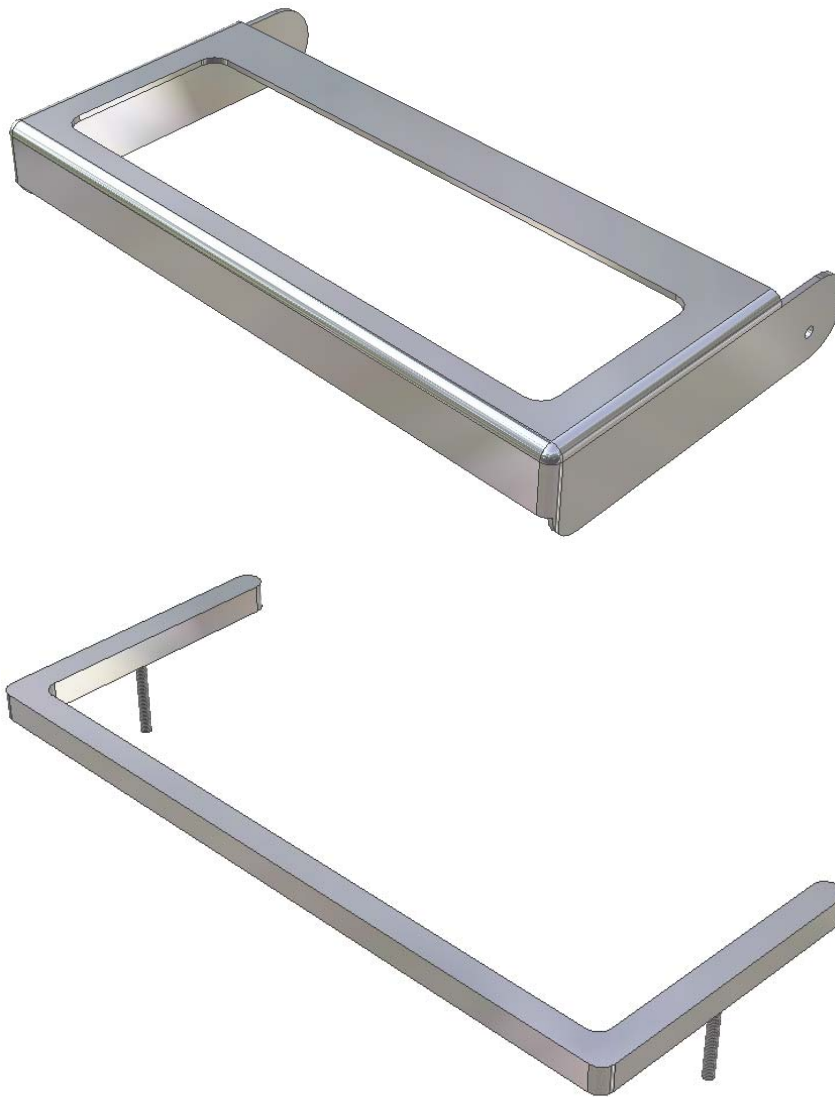
6 BROMLEY ROAD EMU PLAINS 2750
PHONE: (02) 4735 5666 FAX: (02) 4735 7950
E-MAIL info@smcstainless.com.au
www.smcstainless.com.au

THE STAINLESS STEEL PEOPLE

(SINCE 1962)

MATERIAL - GRADE 304 STAINLESS STEEL

FORM AND INK PAD HOLDERS



* TYPICAL USE :
-- FINGER PRINT BENCH ACCESSORIES
-- POLICE STATIONS .

**DATA
SHEET**

ITEM: FORM / INK PAD HOLDERS

CODE: PBC-FH-01 & PBC-IPH-01

DATE:

MARCH - 2003

REV:

C

PAGE No:

192

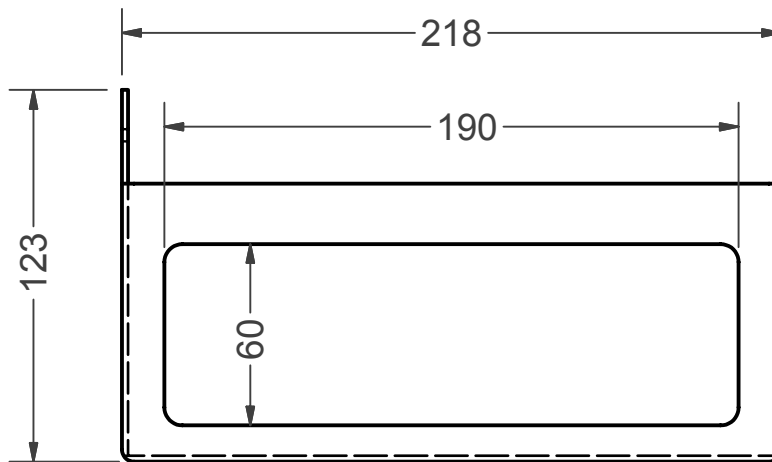
STAINLESS METAL CRAFT

6 BROMLEY ROAD EMU PLAINS 2750
PHONE: (02) 4735 5666 FAX: (02) 4735 7950
E-MAIL info@smcstainless.com.au
www.smcstainless.com.au

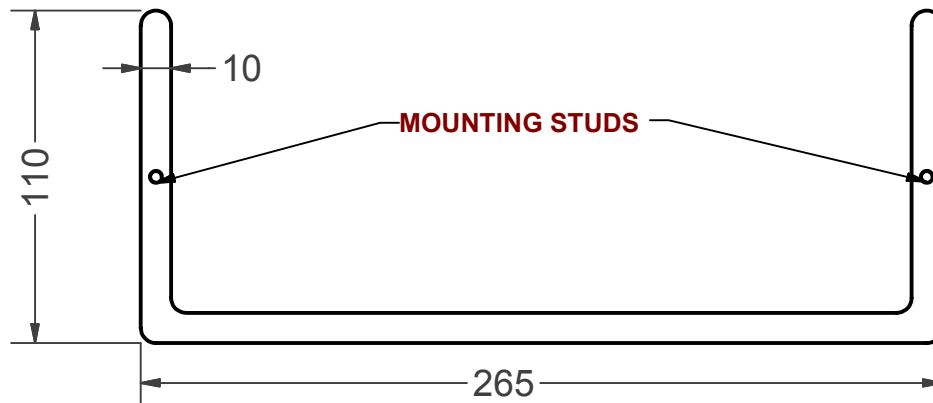
THE STAINLESS STEEL PEOPLE

(SINCE 1962)

MATERIAL - GRADE 304 STAINLESS STEEL



FORM HOLDER



INK PAD HOLDER

**SPECIFICATIONS -
STAINLESS STEEL FORM / INK PAD HOLDERS
SHALL BE MODEL PBC-FH-01 & PBC-IPH-01
FROM STAINLESS METAL CRAFT
PHONE: 02 4735 5666**

**DATA
SHEET**

ITEM: FORM / INK PAD HOLDERS

CODE: PBC-FH-01 & PBC-IPH-01

DATE:

MARCH - 2003

REV:

C

PAGE No:

192