

STAINLESS METAL CRAFT

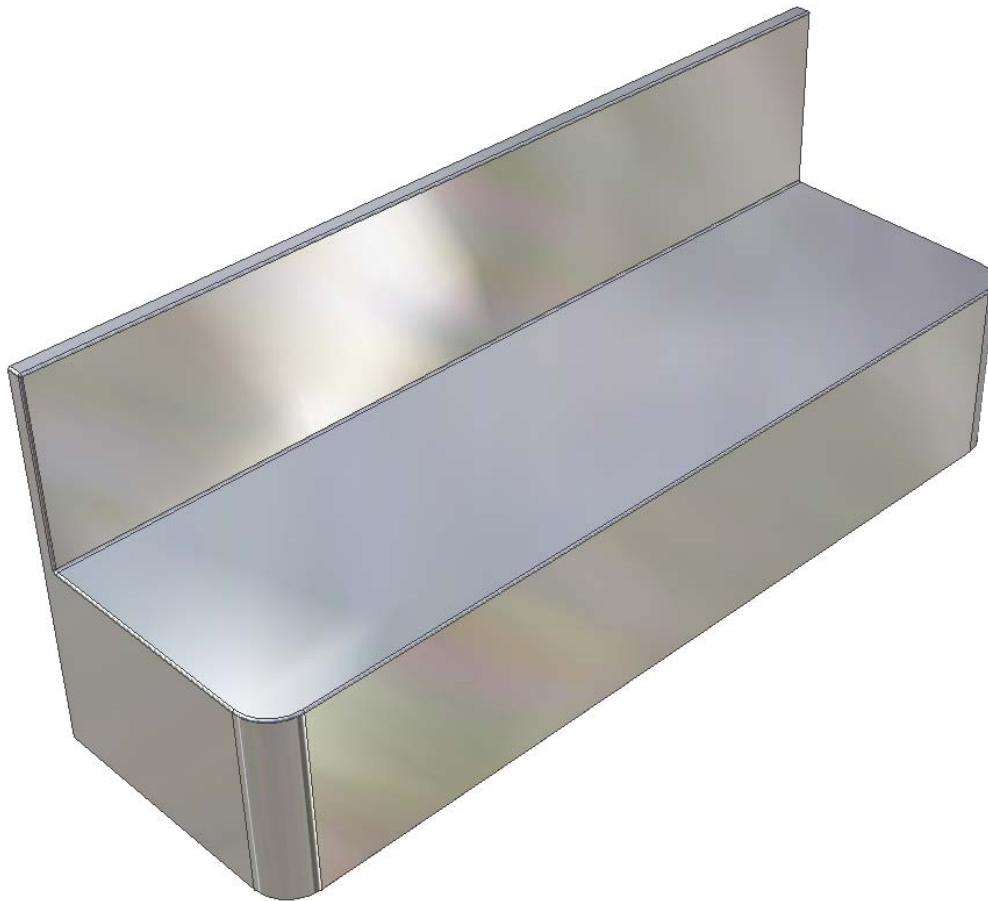
6 BROMLEY ROAD EMU PLAINS 2750
PHONE: (02) 4735 5666 FAX: (02) 4735 7950
E-MAIL info@smcstainless.com.au
www.smcstainless.com.au

THE STAINLESS STEEL PEOPLE

(SINCE 1962)

MATERIAL - GRADE 304 STAINLESS STEEL

FINGER PRINT BENCH



*** TYPICAL USE :**

-- PRISONER HANDLING FINGER PRINT BENCH

-- POLICE STATIONS.

**DATA
SHEET**

ITEM: FINGER PRINT BENCH

CODE: PBC-FPB-01

DATE:

MARCH - 2003

REV:

C

PAGE No:

191

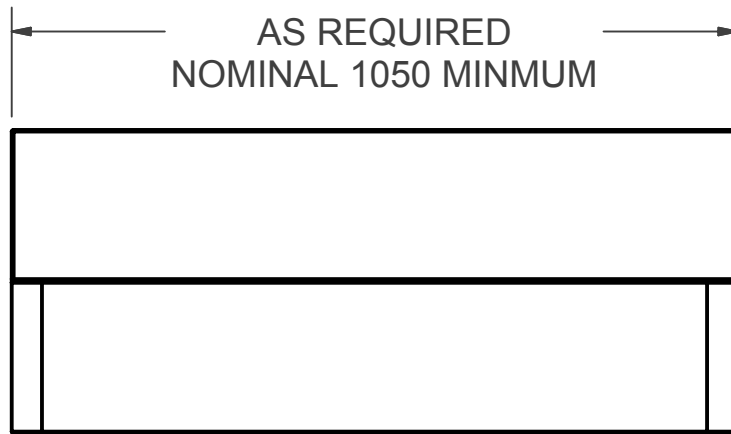
STAINLESS METAL CRAFT

6 BROMLEY ROAD EMU PLAINS 2750
PHONE: (02) 4735 5666 FAX: (02) 4735 7950
E-MAIL info@smcstainless.com.au
www.smcstainless.com.au

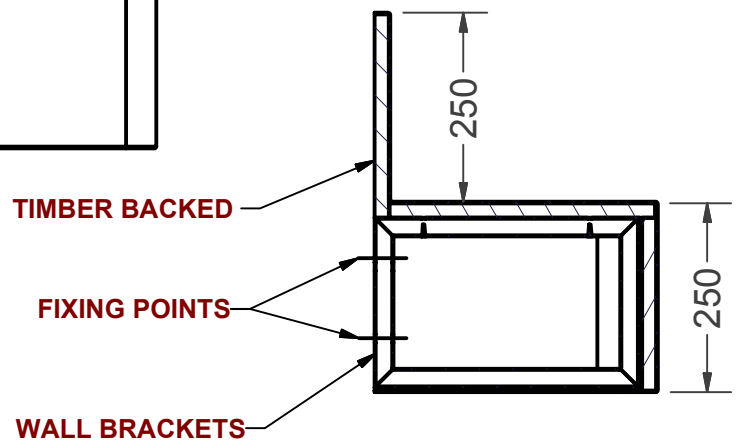
THE STAINLESS STEEL PEOPLE

(SINCE 1962)

MATERIAL - GRADE 304 STAINLESS STEEL



**ROBUST 2mm
CONSTRUCTION**



**SPECIFICATIONS -
STAINLESS STEEL FINGER PRINT BENCH
SHALL BE MODEL PBC-FPB-01 FROM
STAINLESS METAL CRAFT
PHONE: 02 4735 5666**

**DATA
SHEET**

ITEM: FINGER PRINT BENCH

CODE: PBC-FPB-01

DATE:

MARCH - 2003

REV:

C

PAGE No:

191