

STAINLESS METAL CRAFT

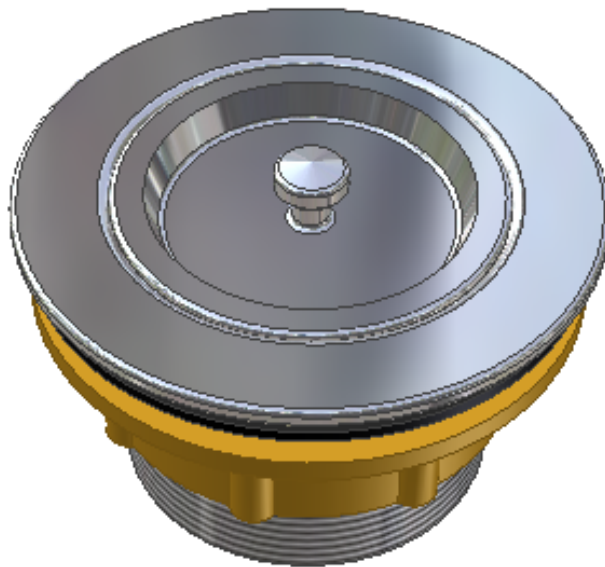
6 BROMLEY ROAD EMU PLAINS 2750
PHONE: (02) 4735 5666 FAX: (02) 4735 7950
E-MAIL info@smcstainless.com.au
www.smcstainless.com.au

THE STAINLESS STEEL PEOPLE

(SINCE 1962)

MATERIAL - GRADE 316 STAINLESS STEEL

PLUG AND WASTE



* TYPICAL USE
-- LABORATORY SINKS

-- DURABLE STAINLESS STEEL

* EDUCATION BUILDINGS / INDUSTRY / HOSPITALS

**DATA
SHEET**

ITEM: PLUG AND WASTE

CODE: P&WSS316

DATE:

JULY - 2006

REV:

A

PAGE No:

119

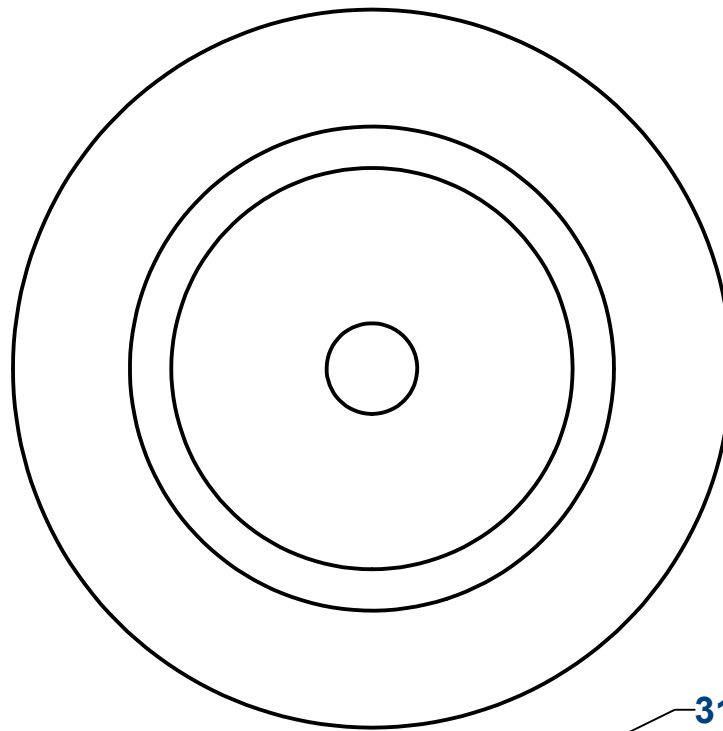
STAINLESS METAL CRAFT

6 BROMLEY ROAD EMU PLAINS 2750
PHONE: (02) 4735 5666 FAX: (02) 4735 7950
E-MAIL info@smcstainless.com.au
www.smcstainless.com.au

THE STAINLESS STEEL PEOPLE

(SINCE 1962)

MATERIAL - GRADE 316 STAINLESS STEEL

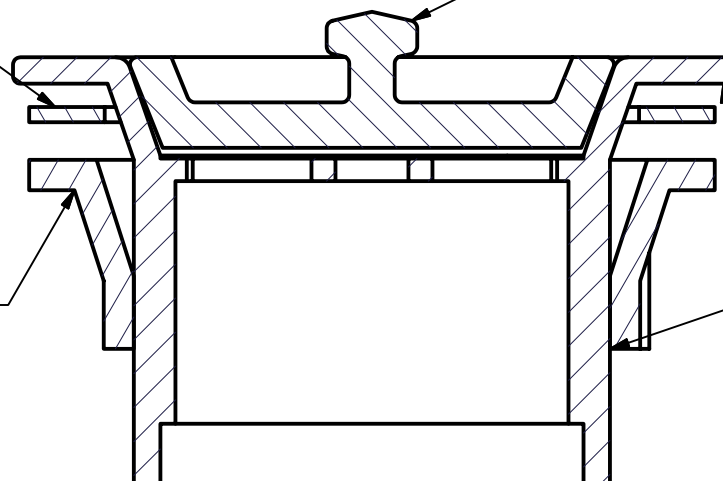


RUBBER
SEAL

316 S/S
PLUG

BRASS
RETAINER NUT

316 S/S WASTE BODY
WITH 50BSP THREAD



**SPECIFICATIONS -
STAINLESS STEEL PLUG AND WASTE
SHALL BE MODEL P&WSS316 FROM
STAINLESS METAL CRAFT
PHONE: 02 4735 5666**

**DATA
SHEET**

ITEM: PLUG AND WASTE

CODE: P&WSS316

DATE:

JULY - 2006

REV:

A

PAGE No:

119