

STAINLESS METAL CRAFT

6 BROMLEY ROAD EMU PLAINS 2750
 PHONE: (02) 4735 5666 FAX: (02) 4735 7950
 E-MAIL info@smcstainless.com.au
www.smcstainless.com.au

THE STAINLESS STEEL PEOPLE

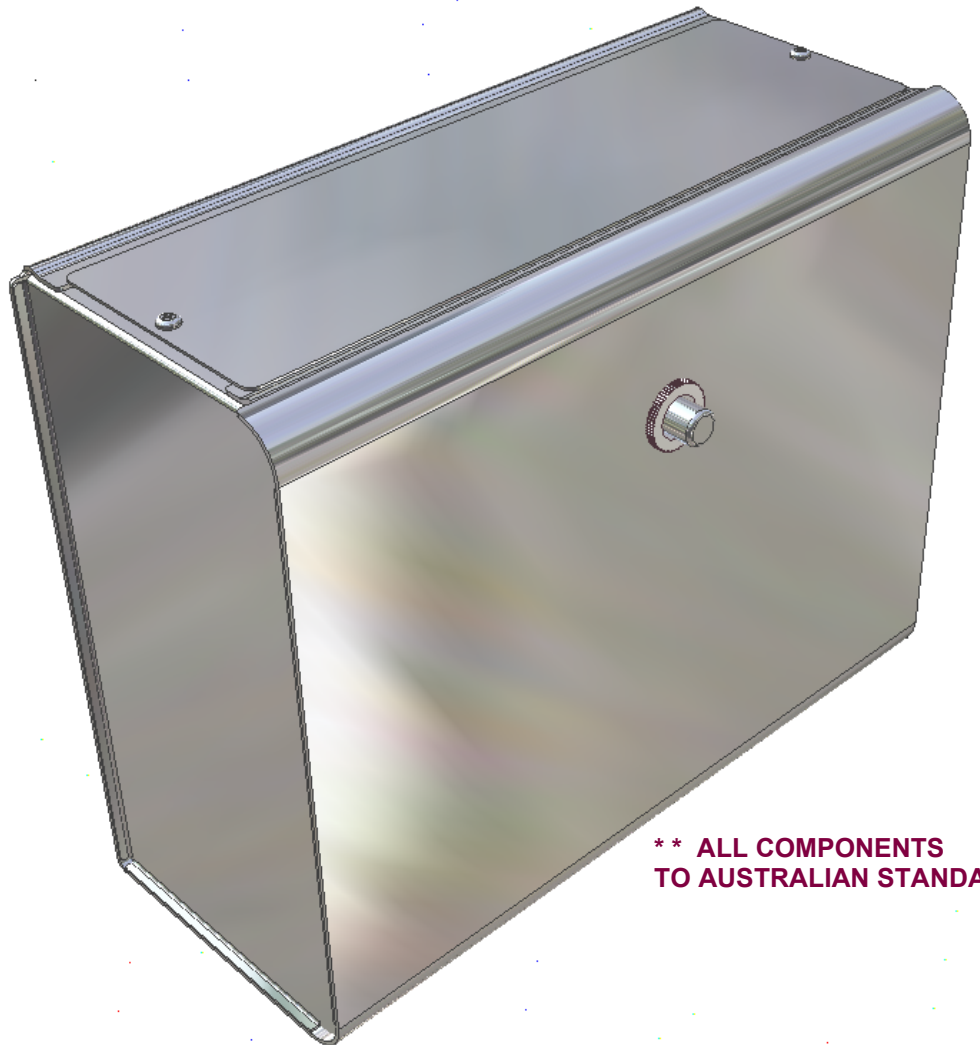
(SINCE 1962)

MATERIAL - GRADE 304 STAINLESS STEEL

PUSH BUTTON CISTERN

OPTIONS

- * MARINE GRADE 316
- * AVAILABLE IN VANDAL RESISTANT SEE PAGE 66



** ALL COMPONENTS TO AUSTRALIAN STANDARD

* TYPICAL USE -

-- LOW MAINTENANCE CISTERN WITH HIGH VANDAL RESISTANCE.

- * PUBLIC AMENITIES eg COUNCIL / RAILWAY STATIONS / SHOPPING CENTRES
- * SCHOOLS / INDUSTRY / CLUBS / HOTELS



DATA SHEET

ITEM: PUSH BUTTON CISTERN - 6 LITRE

AS1172

Lic:SMK 02172

CODE: SCC-1-PB

DATE:

MARCH - 2003

REV:

C

PAGE No:

63

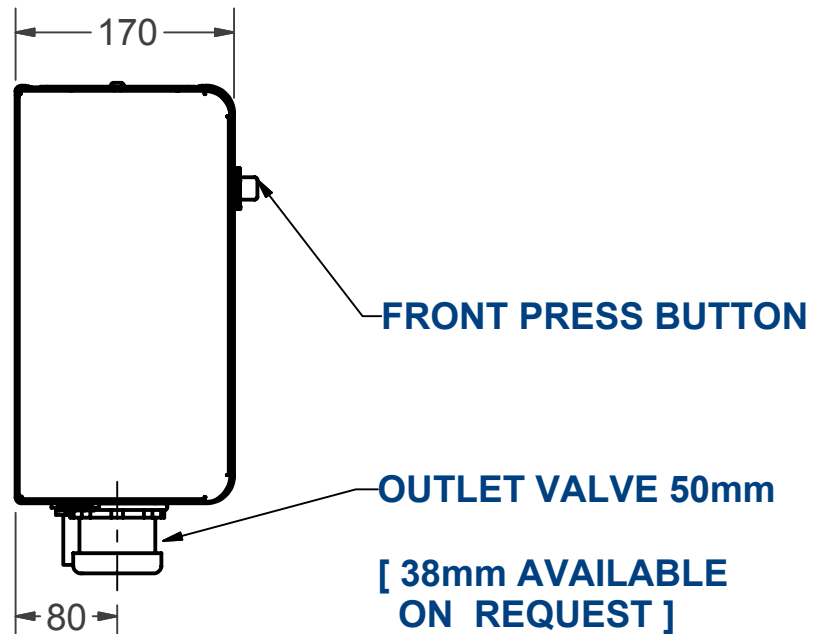
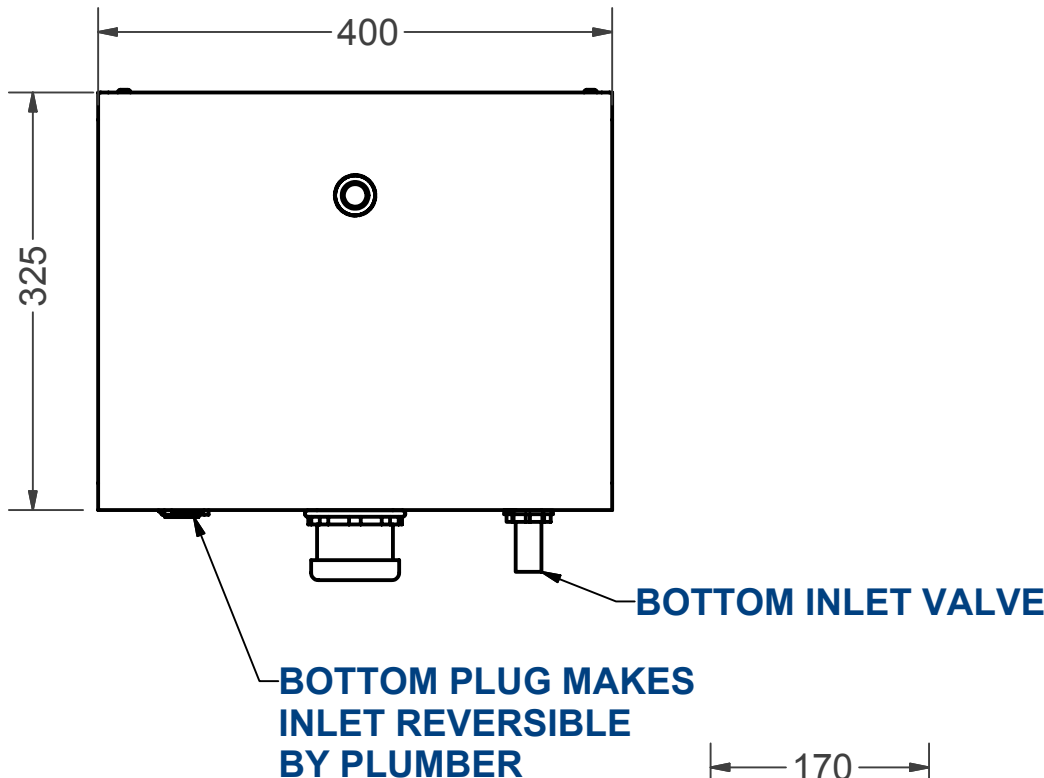
STAINLESS METAL CRAFT

6 BROMLEY ROAD EMU PLAINS 2750
 PHONE: (02) 4735 5666 FAX: (02) 4735 7950
 E-MAIL info@smcstainless.com.au
www.smcstainless.com.au

THE STAINLESS STEEL PEOPLE

(SINCE 1962)

MATERIAL - GRADE 304 STAINLESS STEEL



**SPECIFICATIONS -
 STAINLESS STEEL FRONT PRESS CISTERN
 SHALL BE MODEL SCC-1-PB FROM
 STAINLESS METAL CRAFT
 PHONE: 02 4735 5666**



DATA SHEET

ITEM: PUSH BUTTON CISTERN - 6 LITRE

AS1172

Lic:SMK 02172

CODE: SCC-1-PB

DATE:

MARCH - 2003

REV:

C

PAGE No:

63