

STAINLESS METAL CRAFT

6 BROMLEY ROAD EMU PLAINS 2750
PHONE: (02) 4735 5666 FAX: (02) 4735 7950
E-MAIL info@smcstainless.com.au
www.smcstainless.com.au

THE STAINLESS STEEL PEOPLE

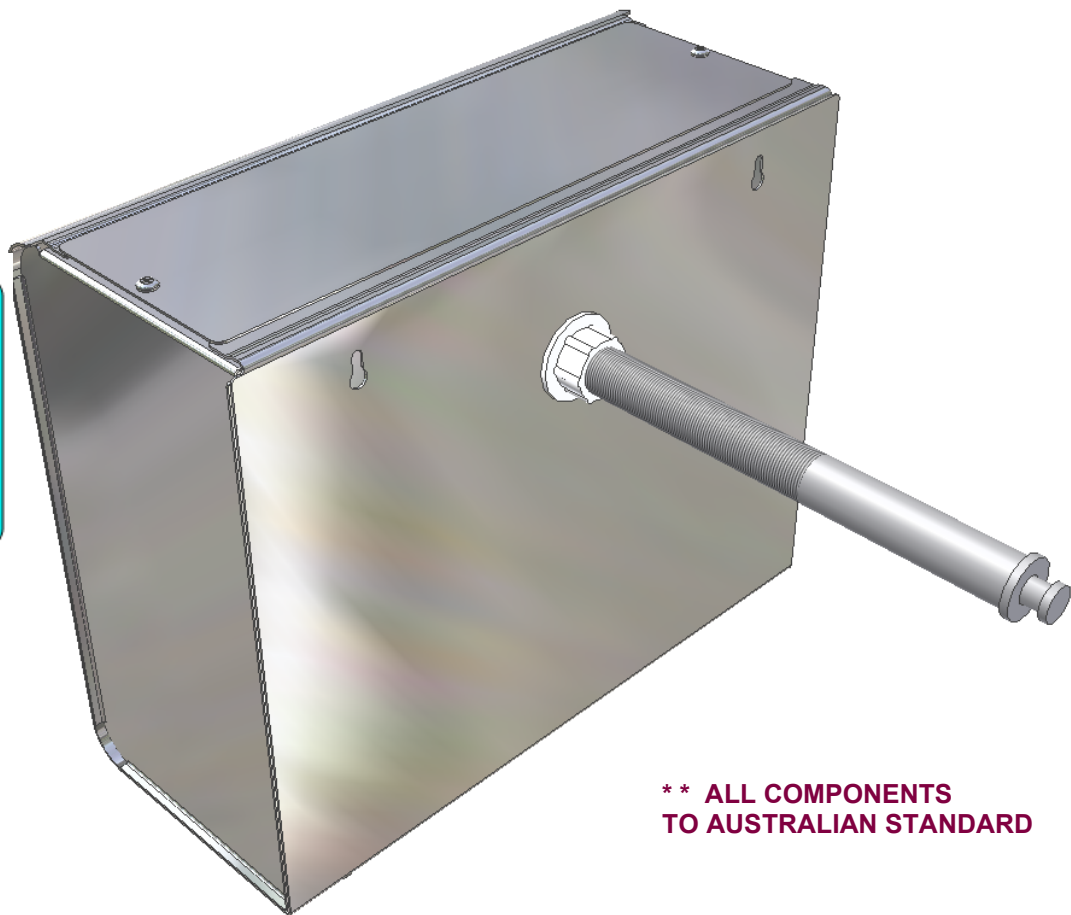
(SINCE 1962)

MATERIAL - GRADE 304 STAINLESS STEEL

EXTENDED PUSH BUTTON CISTERN

OPTIONS

- * MARINE GRADE 316
- * OUTLET SIZES



** ALL COMPONENTS
TO AUSTRALIAN STANDARD

*** TYPICAL USE -**

-- LOW MAINTENANCE CISTERN WITH HIGH VANDAL RESISTANCE.

- * PUBLIC AMENITIES eg COUNCIL / RAILWAY STATIONS / SHOPPING CENTRES
- * SCHOOLS / INDUSTRY / CLUBS / HOTELS



**DATA
SHEET**

ITEM: EXTENDED PUSH BUTTON CISTERN - 6 LITRE

AS1172
Lic:SMK 02172

CODE: SCC-3

DATE:

SEPTEMBER - 2003

REV:

C

PAGE No:

67

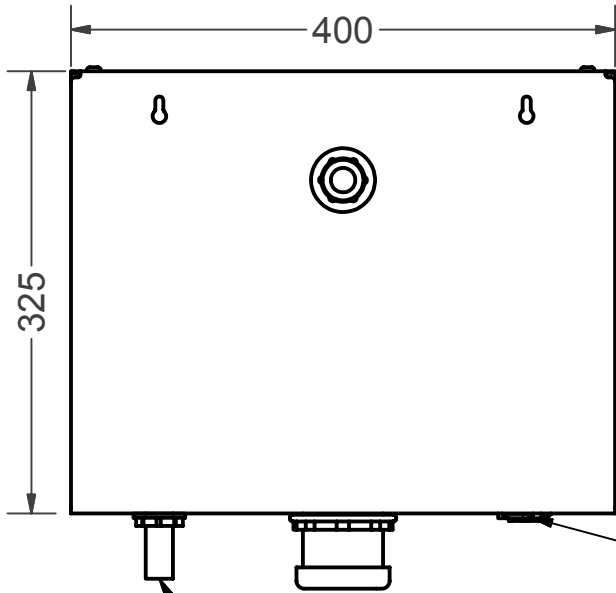
STAINLESS METAL CRAFT

6 BROMLEY ROAD EMU PLAINS 2750
 PHONE: (02) 4735 5666 FAX: (02) 4735 7950
 E-MAIL info@smcstainless.com.au
www.smcstainless.com.au

THE STAINLESS STEEL PEOPLE

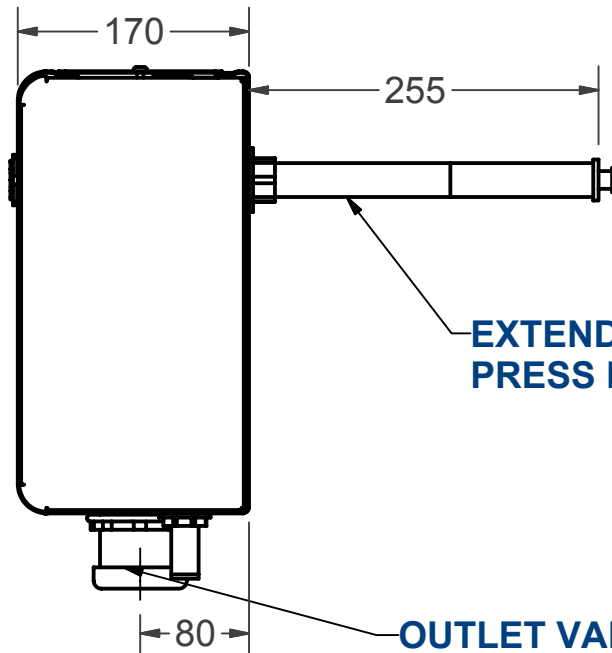
(SINCE 1962)

MATERIAL - GRADE 304 STAINLESS STEEL



BOTTOM INLET VALVE

BOTTOM PLUG MAKES
 INLET REVERSIBLE
 BY PLUMBER



EXTENDED FRONT
 PRESS BUTTON

OUTLET VALVE 50mm

[38mm AVAILABLE
 ON REQUEST]

**SPECIFICATIONS -
 STAINLESS STEEL FRONT PRESS CISTERN
 SHALL BE MODEL SCC-3 FROM
 STAINLESS METAL CRAFT
 PHONE: 02 4735 5666**



**DATA
 SHEET**

ITEM: EXTENDED PUSH BUTTON CISTERN - 6 LITRE

CODE: SCC-3

DATE:

SEPTEMBER - 2003

REV:

C

PAGE No:

67

AS1172

Lic:SMK 02172