

STAINLESS METAL CRAFT

6 BROMLEY ROAD EMU PLAINS 2750
PHONE: (02) 4735 5666 FAX: (02) 4735 7950
E-MAIL info@smcstainless.com.au
www.smcstainless.com.au

THE STAINLESS STEEL PEOPLE

(SINCE 1962)

MATERIAL - GRADE 304 STAINLESS STEEL

CASCADE URINAL

"CASCADE"
FLUSH CHAMBER
IS INTEGRAL
WITH URINAL

- SUITABLE FOR
ALL FLUSHING
DEVICES INCLUDING
SENSOR OPERATED

OPTIONS

- * EXPOSED OR CONCEALED WATER ENTRY
- * END PANELS FOR EXPOSED ENDS
- * JOINING STRIP CAN BE SUPPLIED TO JOIN MORE THAN ONE URINAL TOGETHER



* TYPICAL USE
-- MALE TOILETS - FACTORY , COUNCIL AMENITIES

* FOR IMPROVED HYGIENE INSTALL URINAL STEP
AT FLOOR LEVEL ALLOWING THE FLOOR TO BE WASHED
DOWN INTO THE URINAL. THIS SAVES A SEPARATE FLOOR
WASTE AND REDUCES ACID DAMAGE TO CARPETS.

**DATA
SHEET**

ITEM: CASCADE URINAL

CODE: SCU-1

DATE:

SEPTEMBER - 2003

REV:

C

PAGE No:

50

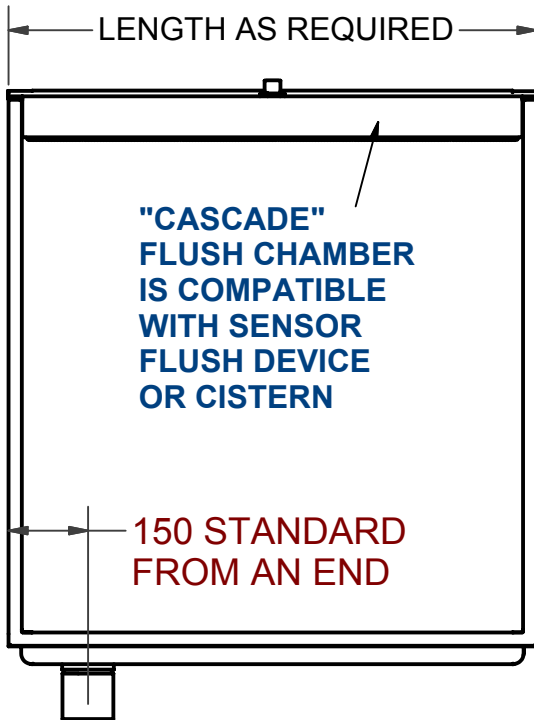
STAINLESS METAL CRAFT

6 BROMLEY ROAD EMU PLAINS 2750
 PHONE: (02) 4735 5666 FAX: (02) 4735 7950
 E-MAIL info@smcstainless.com.au
www.smcstainless.com.au

THE STAINLESS STEEL PEOPLE

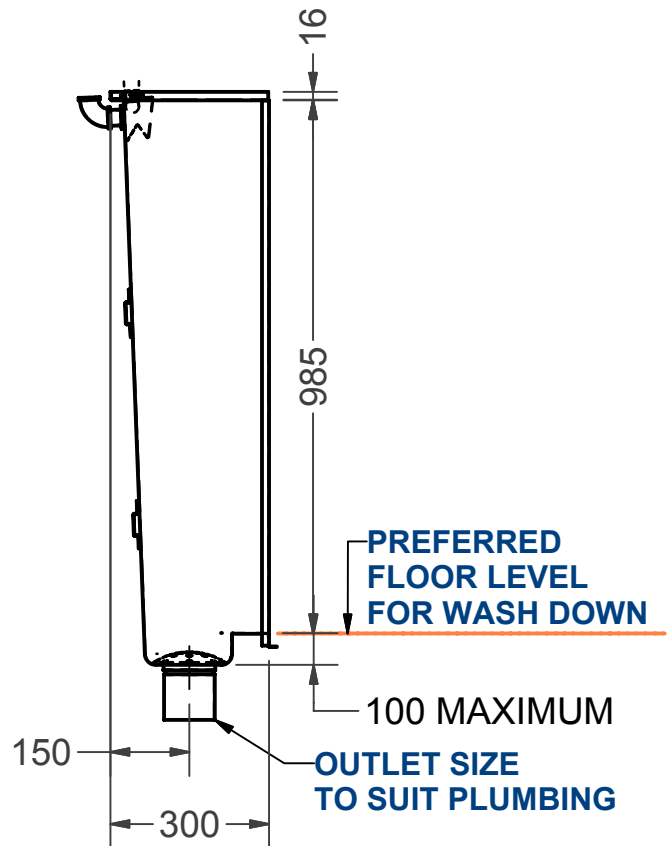
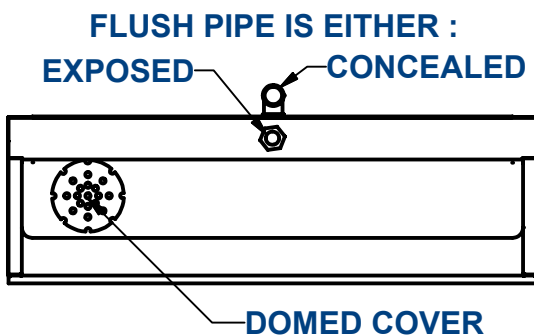
(SINCE 1962)

MATERIAL - GRADE 304 STAINLESS STEEL



OUTLET LOCATION DETAILS

OUR STANDARD LAYOUT IS 150mm FROM REAR AND 150mm FROM A SIDE MINIMUM IS 130mm FROM REAR 130mm FROM A SIDE



SPECIFICATIONS -
STAINLESS STEEL CASCADE URINAL
SHALL BE MODEL SCU-1 FROM
STAINLESS METAL CRAFT
PHONE: 02 4735 5666

DATA SHEET

ITEM: CASCADE URINAL

CODE: SCU-1

DATE:

SEPTEMBER - 2003

REV:

C

PAGE No:

50