

STAINLESS METAL CRAFT

6 BROMLEY ROAD EMU PLAINS 2750
PHONE: (02) 4735 5666 FAX: (02) 4735 7950
E-MAIL info@smcstainless.com.au
www.smcstainless.com.au

THE STAINLESS STEEL PEOPLE

(SINCE 1962)

MATERIAL - GRADE 304 STAINLESS STEEL

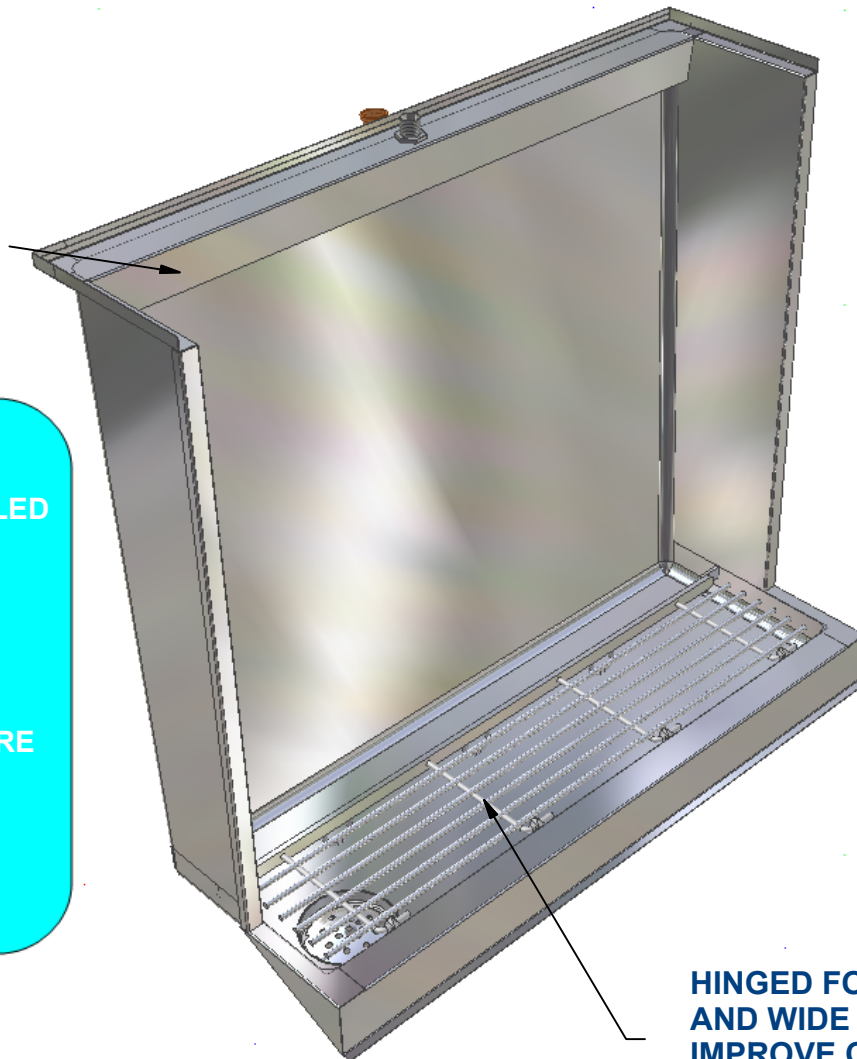
SANISTALL URINAL

"CASCADE"
FLUSH CHAMBER
IS INTEGRAL
WITH URINAL

- SUITABLE FOR
ALL FLUSHING
DEVICES INCLUDING
SENSOR OPERATED

OPTIONS

- * EXPOSED OR CONCEALED WATER ENTRY
- * END PANELS FOR EXPOSED ENDS
- * JOINING STRIP CAN BE SUPPLIED TO JOIN MORE THAN ONE URINAL TOGETHER
- * FULL RETURN ENDS



HINGED FOOT GRATE
AND WIDE TROUGH
IMPROVE CLEANLINESS

* TYPICAL USE
-- MALE TOILETS - OFFICE , HOTEL , CLUB

* FOR IMPROVED HYGIENE INSTALL URINAL STEP
AT FLOOR LEVEL ALLOWING THE FLOOR TO BE WASHED
DOWN INTO THE URINAL. THIS SAVES A SEPARATE FLOOR
WASTE AND REDUCES ACID DAMAGE TO CARPETS.

**DATA
SHEET**

ITEM: SANISTALL WIDE TROUGH URINAL

CODE: SCU-2

DATE:

FEBRUARY - 2003

REV:

C

PAGE No:

51

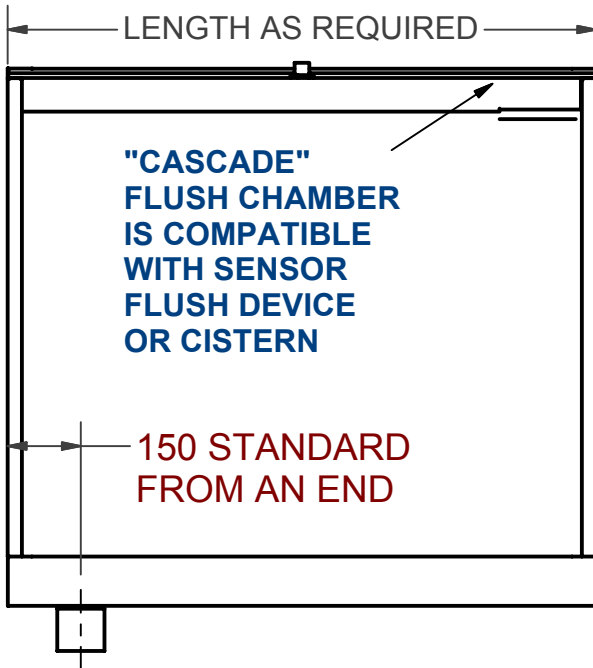
STAINLESS METAL CRAFT

6 BROMLEY ROAD EMU PLAINS 2750
 PHONE: (02) 4735 5666 FAX: (02) 4735 7950
 E-MAIL info@smcstainless.com.au
www.smcstainless.com.au

THE STAINLESS STEEL PEOPLE

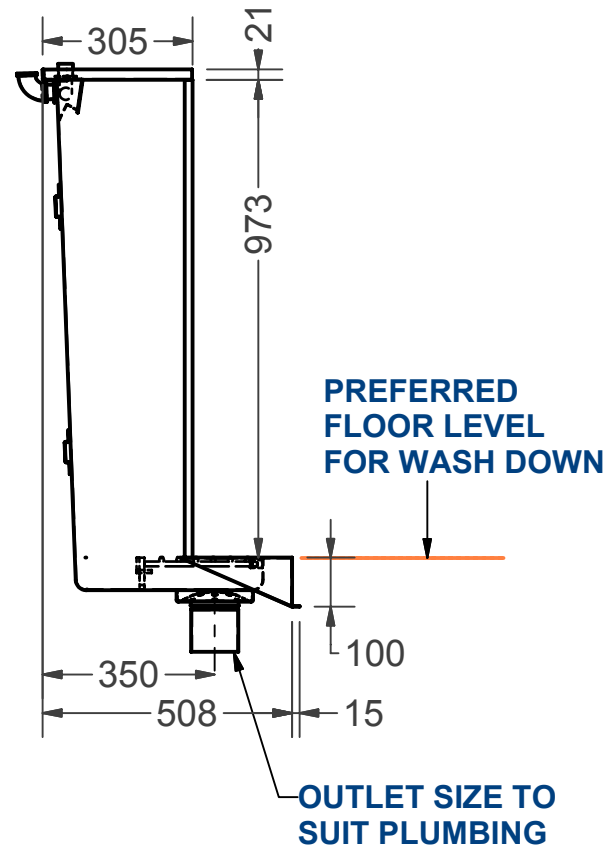
(SINCE 1962)

MATERIAL - GRADE 304 STAINLESS STEEL

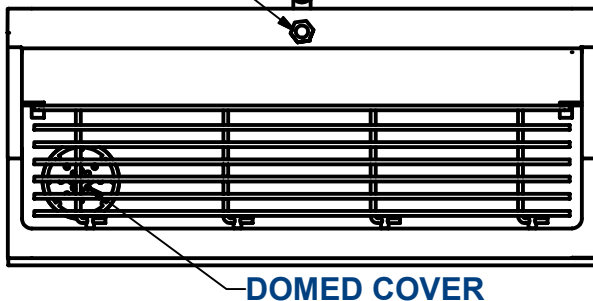


OUTLET LOCATION DETAILS

OUR STANDARD LAYOUT IS 350mm FROM REAR AND 150mm FROM A SIDE MINIMUM IS 130mm FROM REAR 130mm FROM A SIDE



FLUSH PIPE IS EITHER :
 EXPOSED CONCEALED



SPECIFICATIONS -
STAINLESS STEEL SANISTALL URINAL
 SHALL BE MODEL SCU-2 FROM
 STAINLESS METAL CRAFT
 PHONE: 02 4735 5666

DATA SHEET

ITEM: SANISTALL WIDE TROUGH URINAL

CODE: SCU-2

DATE:	FEBRUARY - 2003
REV:	C
PAGE No:	51