

# STAINLESS METAL CRAFT

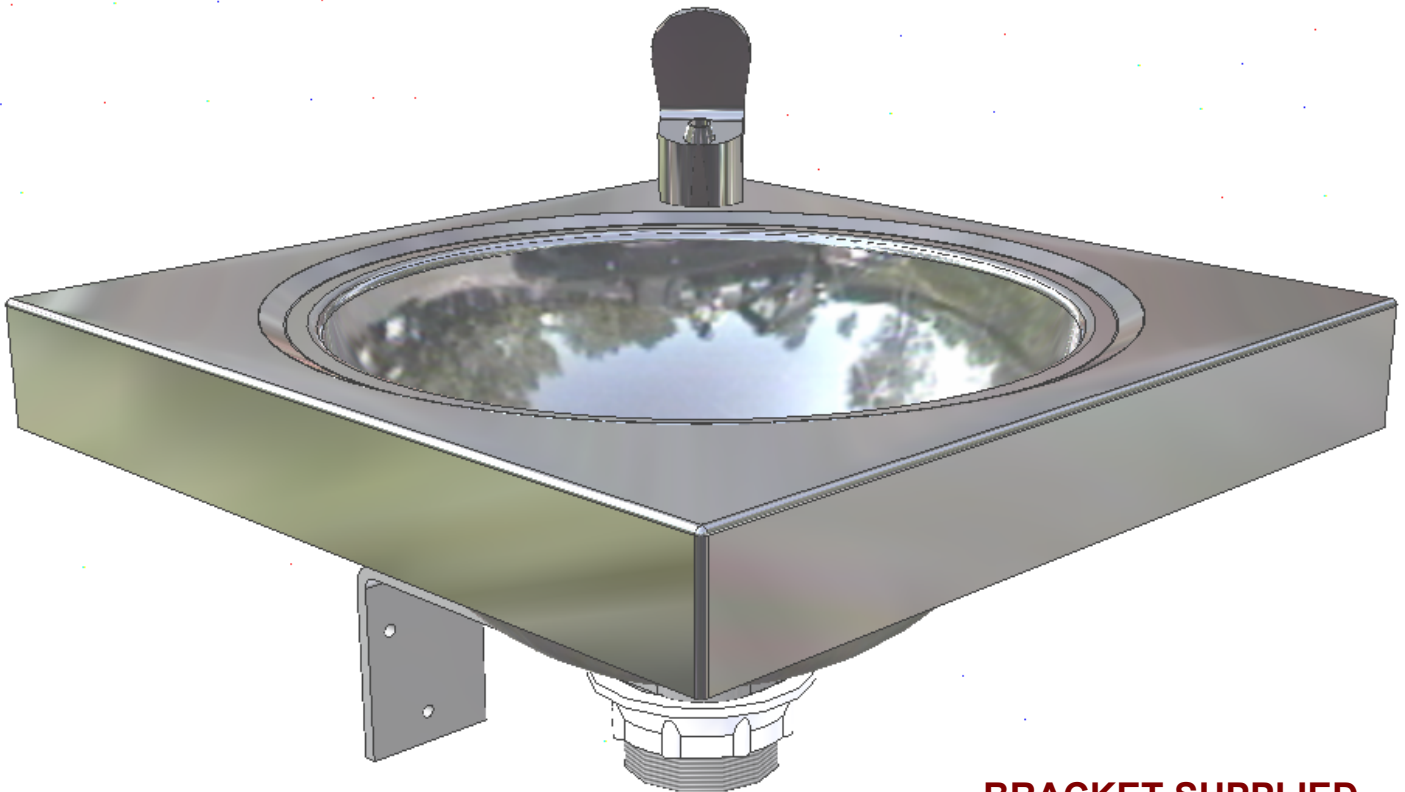
6 BROMLEY ROAD EMU PLAINS 2750  
PHONE: (02) 4735 5666 FAX: (02) 4735 7950  
E-MAIL [info@smcstainless.com.au](mailto:info@smcstainless.com.au)  
[www.smcstainless.com.au](http://www.smcstainless.com.au)

THE STAINLESS STEEL PEOPLE

(SINCE 1962)

MATERIAL - GRADE 304 STAINLESS STEEL

## DRINKING FOUNTAIN



**BRACKET SUPPLIED**

**\* TYPICAL USE -  
-- EASY MAINTENANCE DRINKING FOUNTAIN -- VANDAL RESISTANT.**

**\* PUBLIC AMENITIES eg COUNCILS / SCHOOLS / INDUSTRY / PORTABLE BUILDINGS  
\* LOW SECURITY DETENTION FACILITIES**

**DATA  
SHEET**

**ITEM: DRINKING FOUNTAIN**

**CODE: SCW-201-A**

**DATE:**

**MARCH - 2003**

**REV:**

**C**

**PAGE No:**

**93**

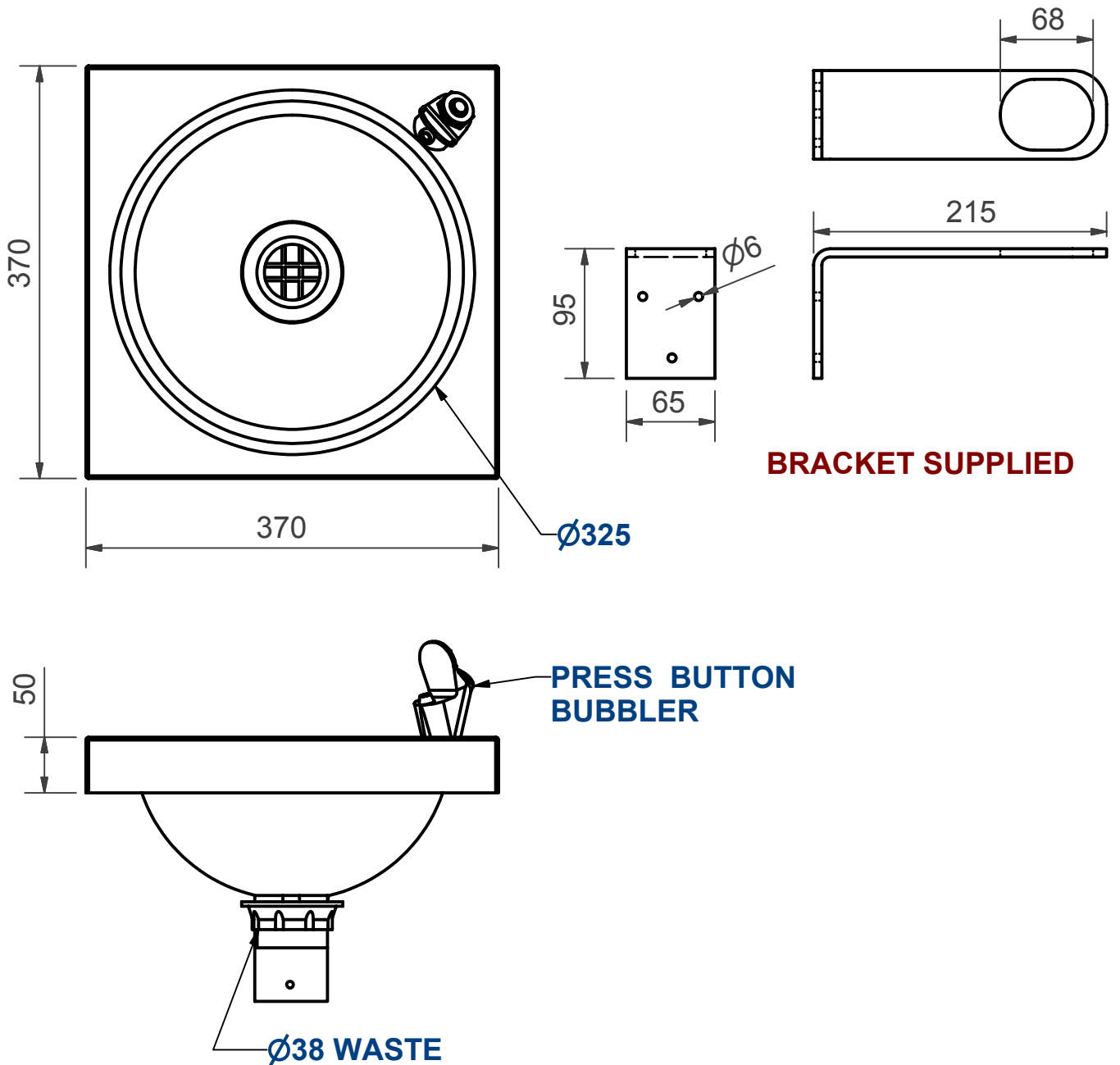
# STAINLESS METAL CRAFT

6 BROMLEY ROAD EMU PLAINS 2750  
 PHONE: (02) 4735 5666 FAX: (02) 4735 7950  
 E-MAIL [info@smcstainless.com.au](mailto:info@smcstainless.com.au)  
[www.smcstainless.com.au](http://www.smcstainless.com.au)

THE STAINLESS STEEL PEOPLE

(SINCE 1962)

MATERIAL - GRADE 304 STAINLESS STEEL



**SPECIFICATIONS -  
 STAINLESS STEEL DRINKING FOUNTAIN  
 SHALL BE MODEL SCW-201-A  
 STAINLESS METAL CRAFT  
 PHONE: 02 4735 5666**

**DATA SHEET**

**ITEM: DRINKING FOUNTAIN**

**CODE: SCW-201-A**

**DATE:**

**MARCH - 2003**

**REV:**

**C**

**PAGE No:**

**93**