

STAINLESS METAL CRAFT

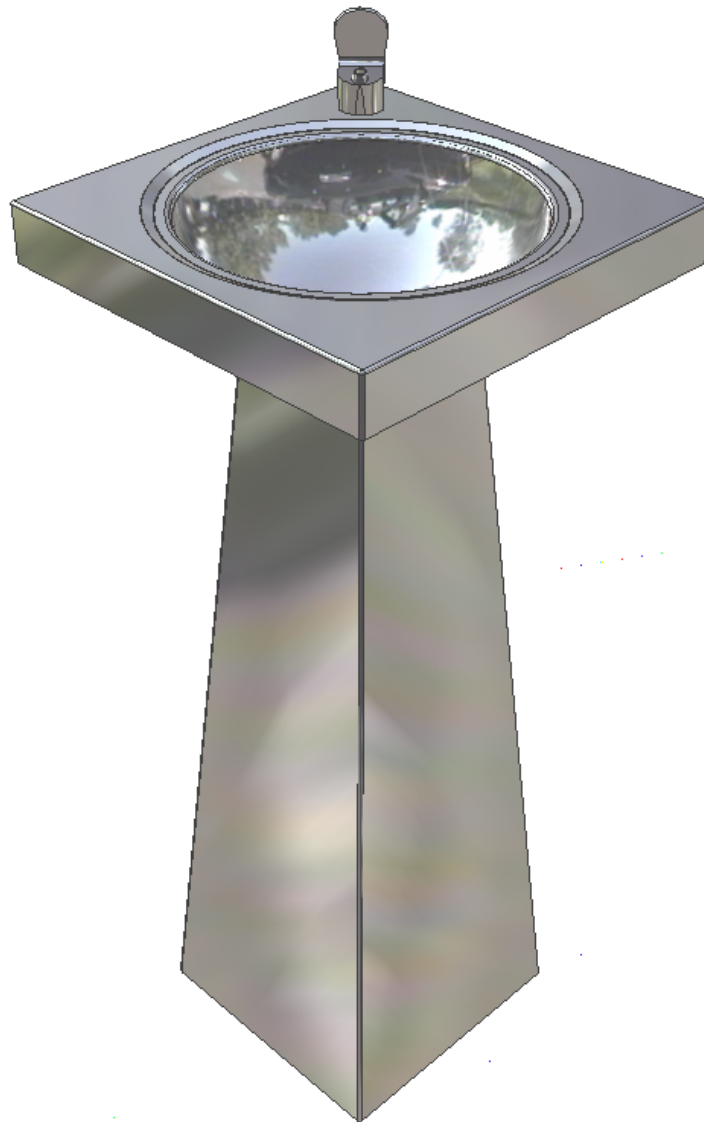
6 BROMLEY ROAD EMU PLAINS 2750
PHONE: (02) 4735 5666 FAX: (02) 4735 7950
E-MAIL info@smcstainless.com.au
www.smcstainless.com.au

THE STAINLESS STEEL PEOPLE

(SINCE 1962)

MATERIAL - GRADE 304 STAINLESS STEEL

STAND ALONE DRINKING FOUNTAIN



* TYPICAL USE -
-- EASY MAINTENANCE DRINKING FOUNTAIN -- VANDAL RESISTANT.

* PUBLIC AMENITIES eg COUNCILS / SCHOOLS / INDUSTRY / PORTABLE BUILDINGS
* LOW SECURITY DETENTION FACILITIES

**DATA
SHEET**

ITEM: DRINKING FOUNTIAN

CODE: SCW-201-B

DATE:

MARCH - 2003

REV:

C

PAGE No:

94

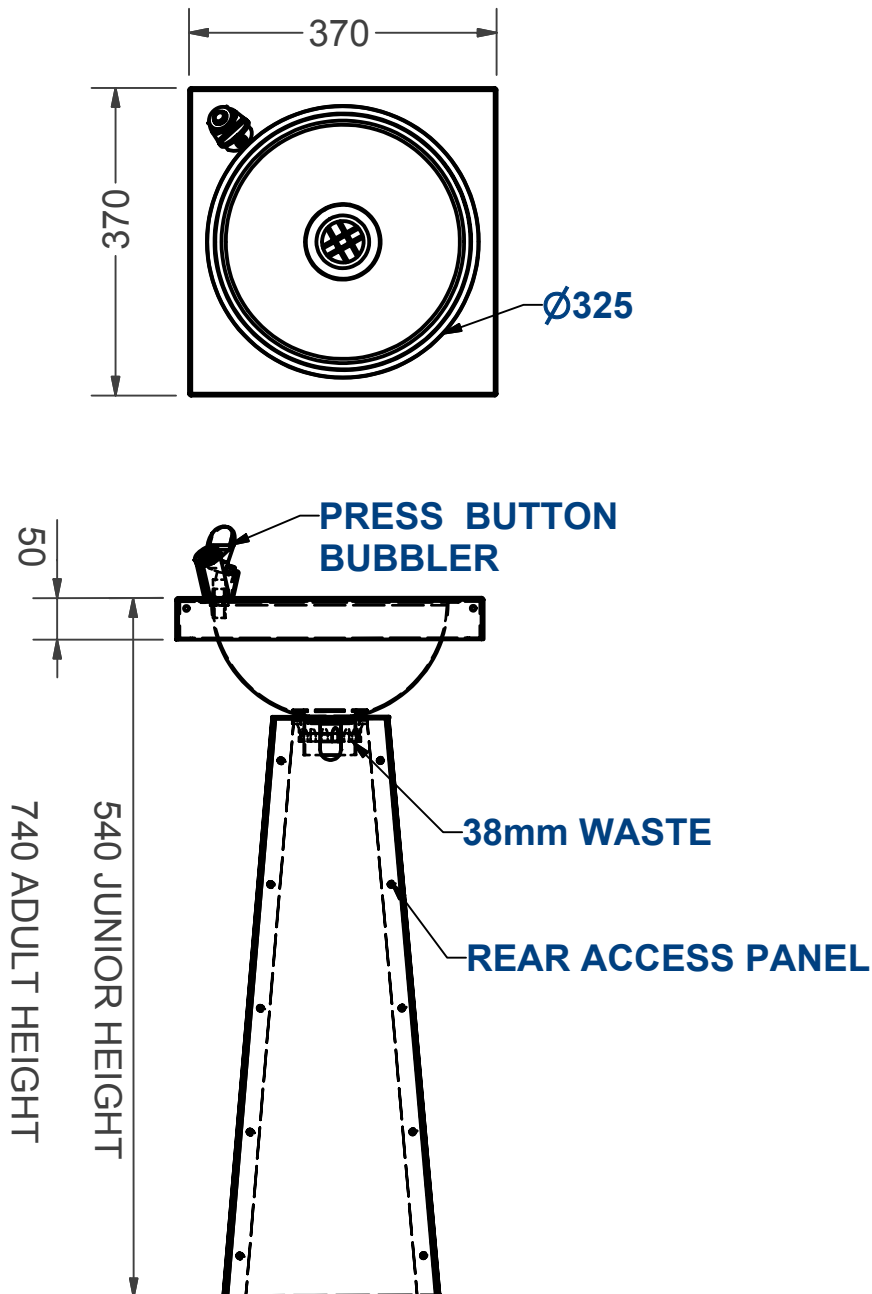
STAINLESS METAL CRAFT

6 BROMLEY ROAD EMU PLAINS 2750
PHONE: (02) 4735 5666 FAX: (02) 4735 7950
E-MAIL info@smcstainless.com.au
www.smcstainless.com.au

THE STAINLESS STEEL PEOPLE

(SINCE 1962)

MATERIAL - GRADE 304 STAINLESS STEEL



**SPECIFICATIONS -
STAINLESS STEEL DRINKING FOUNTIAN
SHALL BE MODEL SCW-201-B
STAINLESS METAL CRAFT
PHONE: 02 4735 5666**

**DATA
SHEET**

ITEM: DRINKING FOUNTIAN

CODE: SCW-201-B

DATE:

MARCH - 2003

REV:

C

PAGE No:

94