

STAINLESS METAL CRAFT

6 BROMLEY ROAD EMU PLAINS 2750
PHONE: (02) 4735 5666 FAX: (02) 4735 7950
E-MAIL info@smcstainless.com.au
www.smcstainless.com.au

THE STAINLESS STEEL PEOPLE

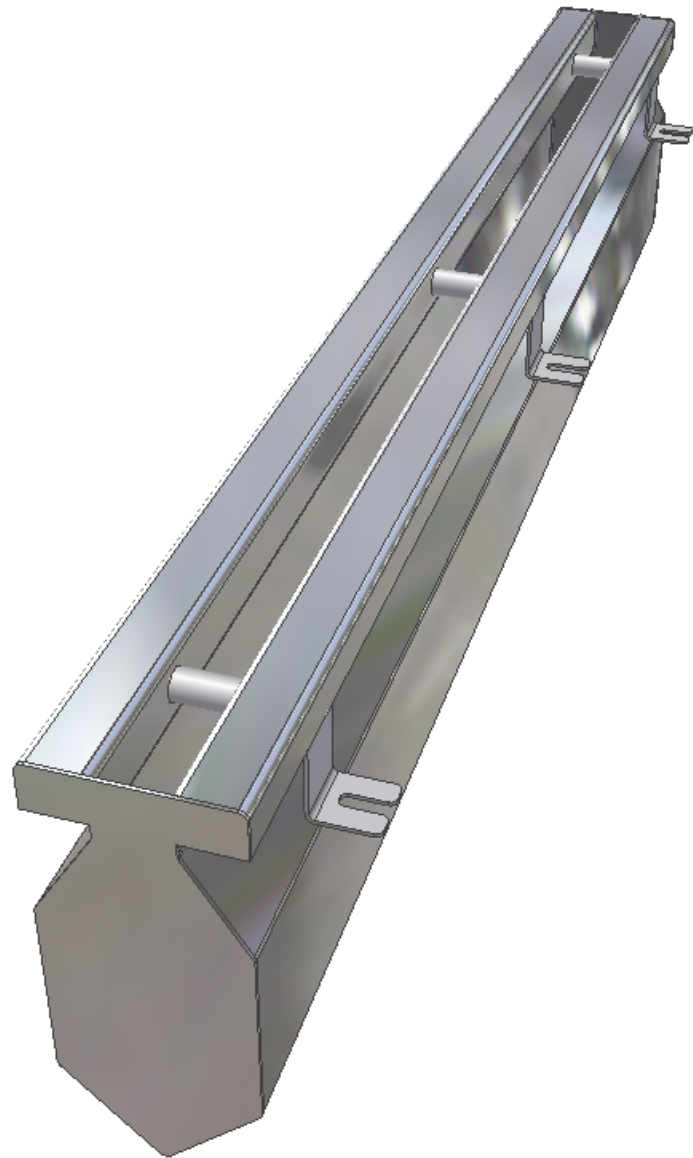
(SINCE 1962)

MATERIAL - GRADE 304 STAINLESS STEEL

SLOT DRAIN

OPTIONS

- * MARINE GRADE 316
- * LOADINGS
- * CONTINUOUS LENGTHS AVAILABLE
- * INTEGRATED TRADE WASTE FLOOR SUMPS
- * LAYOUT TO SUIT
- * LEVELLING FEET
- * INBUILT FALL



* TYPICAL USE -
-- COST EFFECTIVE FLOOR DRAINAGE

* POOLS , DRIVEWAYS , AIRPORTS , SERVICE STATIONS , FOOD MANUFACTURE PLANTS

**DATA
SHEET**

ITEM: SLOT DRAIN

CODE: SD-1

DATE:

SEPTEMBER - 2003

REV:

C

PAGE No:

3

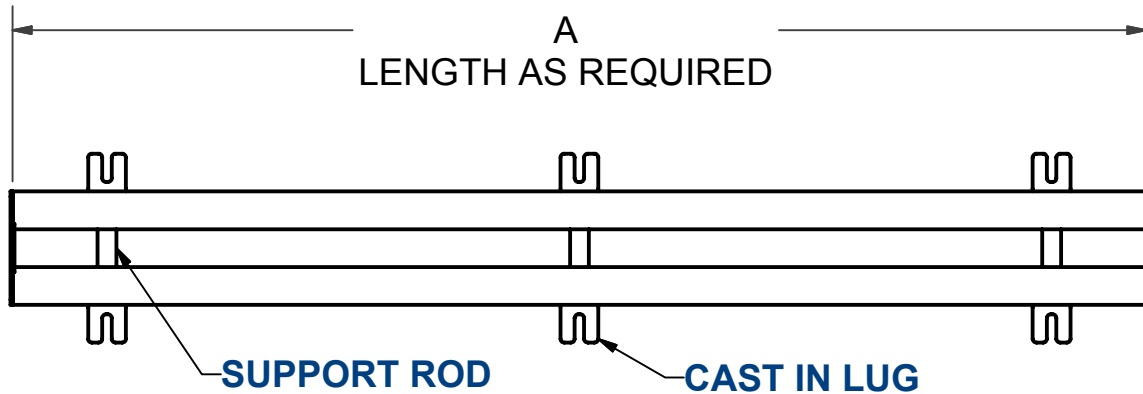
STAINLESS METAL CRAFT

6 BROMLEY ROAD EMU PLAINS 2750
 PHONE: (02) 4735 5666 FAX: (02) 4735 7950
 E-MAIL info@smcstainless.com.au
www.smcstainless.com.au

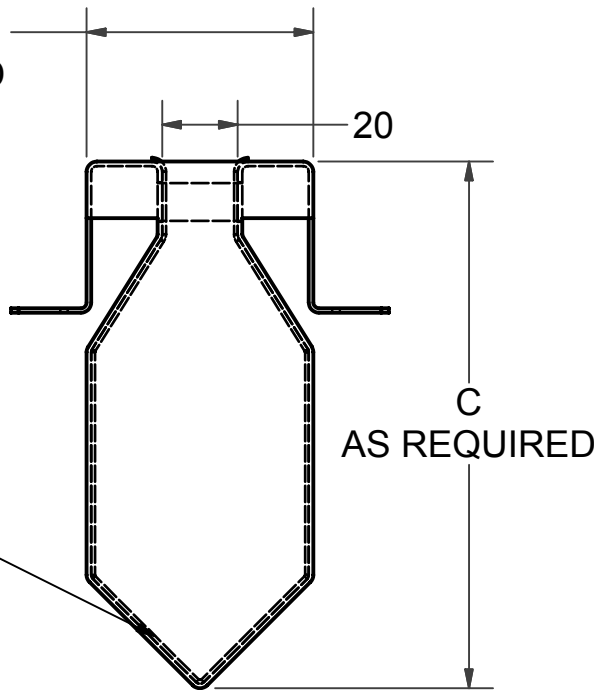
THE STAINLESS STEEL PEOPLE

(SINCE 1962)

MATERIAL - GRADE 304 STAINLESS STEEL



B
WIDTH AS REQUIRED



B
STANDARD AT 60mm

C
STANDARD AT 140mm
MAX - 190mm
MIN - 80mm

STANDARD FALL
1.5 IN 100

LOADING	
PEDESTRIAN	P/D
MEDIUM	M/D
HEAVY CLASS C	H/D
SUPER HEAVY G	G

SIZE REQUIRED	
A	
B	
C	

SPECIFICATIONS -
STAINLESS STEEL FLOOR TROUGH
SHALL BE MODEL SD-1 FROM
STAINLESS METAL CRAFT
PHONE: 02 4735 5666

DATA SHEET

ITEM: SLOT DRAIN

CODE: SD-1

DATE:	SEPTEMBER - 2003
REV:	C PAGE No: 3