

STAINLESS METAL CRAFT

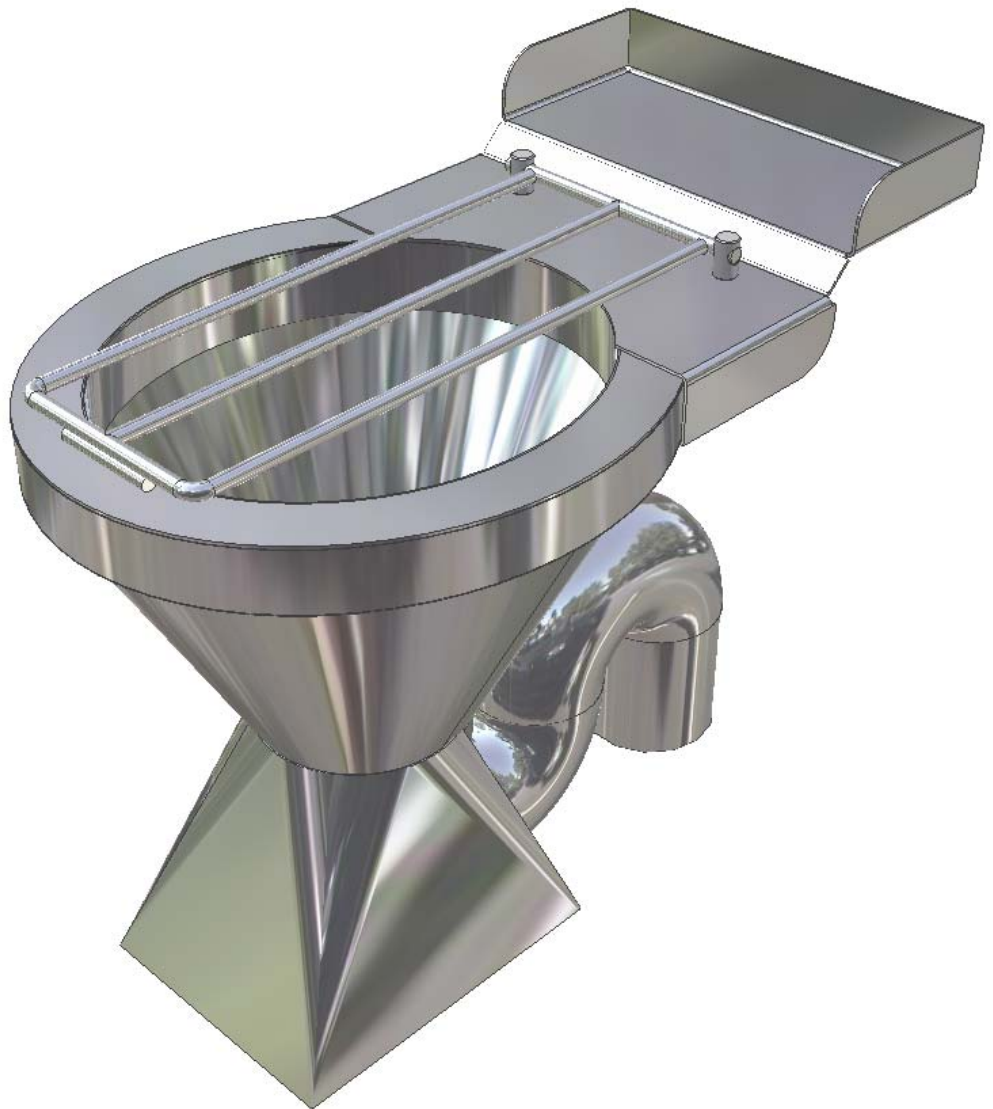
6 BROMLEY ROAD EMU PLAINS 2750
PHONE: (02) 4735 5666 FAX: (02) 4735 7950
E-MAIL info@smcstainless.com.au
www.smcstainless.com.au

THE STAINLESS STEEL PEOPLE

(SINCE 1962)

MATERIAL - GRADE 304 STAINLESS STEEL

SLOP HOPPER



OPTIONS

- * "P" TRAP
- * TOP INLET

* TYPICAL USE -
-- LOW MAINTENANCE SLOP HOPPER

* NURSING HOMES / HOSPITALS



**DATA
SHEET**

ITEM: SLOP HOPPER - 6 LITRE

AS1172

Lic:SMK 02172

CODE: SLH-1

DATE:

FEBRUARY - 2003

REV:

C

PAGE No:

113

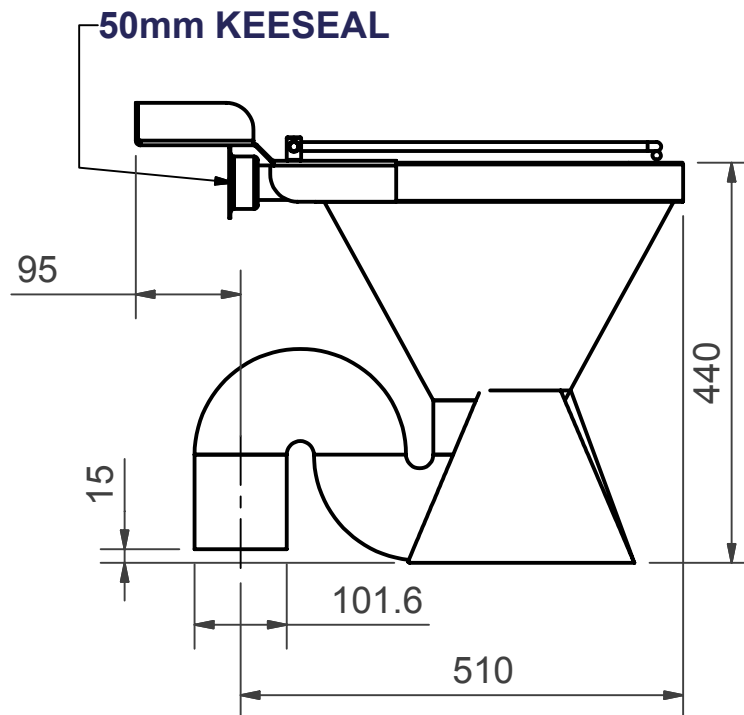
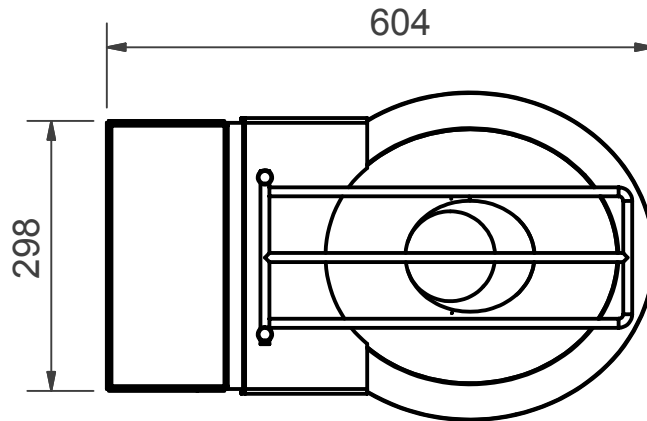
STAINLESS METAL CRAFT

6 BROMLEY ROAD EMU PLAINS 2750
 PHONE: (02) 4735 5666 FAX: (02) 4735 7950
 E-MAIL info@smcstainless.com.au
www.smcstainless.com.au

THE STAINLESS STEEL PEOPLE

(SINCE 1962)

MATERIAL - GRADE 304 STAINLESS STEEL



**SPECIFICATIONS -
 STAINLESS STEEL SLOP HOPPER
 SHALL BE MODEL SLH-1 FROM
 STAINLESS METAL CRAFT
 PHONE: 02 4735 5666**

**DATA
 SHEET**

ITEM: SLOP HOPPER - 6 LITRE

AS1172

Lic:SMK 02172

CODE: SLH-1

DATE:

FEBRUARY - 2003

REV:

C

PAGE No:

113