

STAINLESS METAL CRAFT

6 BROMLEY ROAD EMU PLAINS 2750
PHONE: (02) 4735 5666 FAX: (02) 4735 7950
E-MAIL info@smcstainless.com.au
www.smcstainless.com.au

THE STAINLESS STEEL PEOPLE

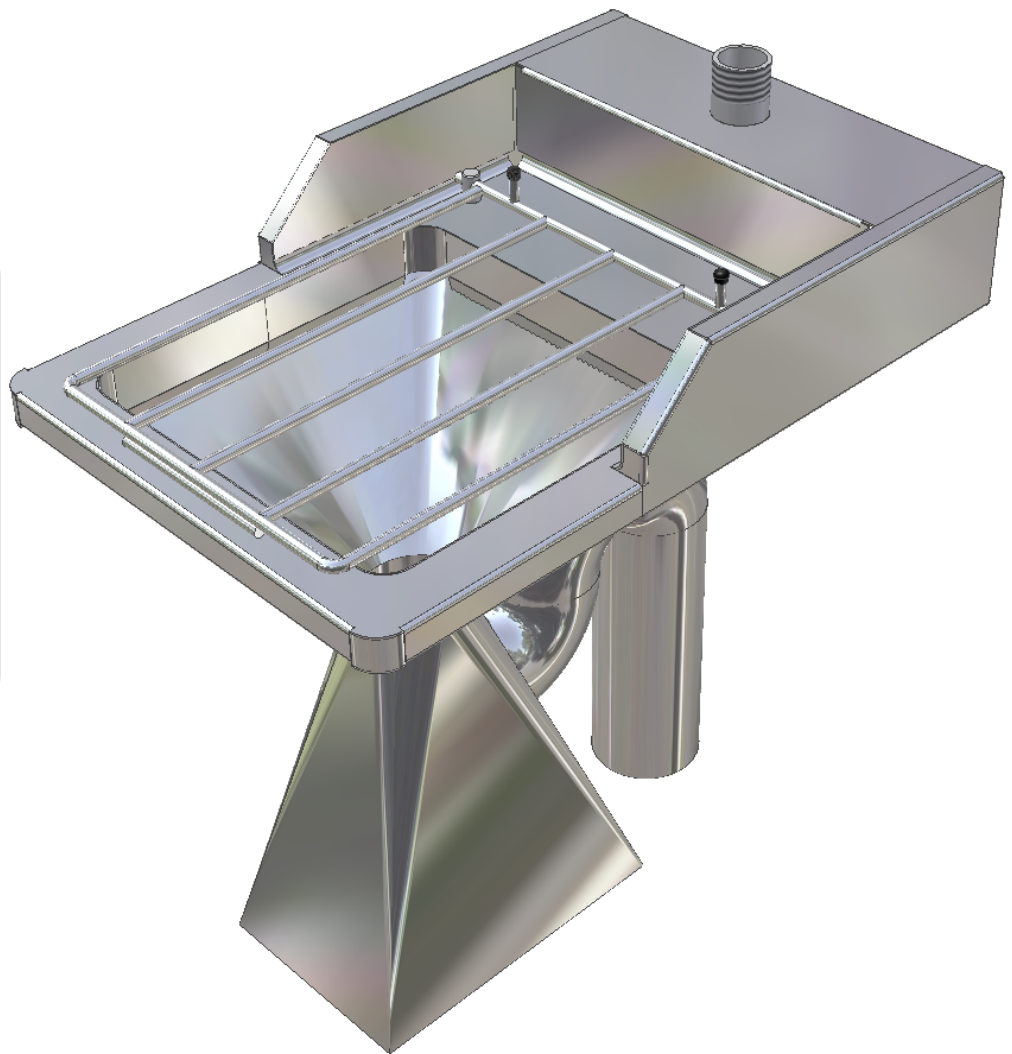
(SINCE 1962)

MATERIAL - GRADE 304 STAINLESS STEEL

SLOP HOPPER

OPTIONS

- * "P" TRAP
- * TOP ENTRY
- * USE IN CONJUNCTION WITH SMC PULL CHAIN OR PRESS BUTTON CISTERN
- * FULL SHROUD TO TRAP



* TYPICAL USE -

-- LOW MAINTENANCE SLOP HOPPER WITH LARGE FLUSHING BOWL AND SPLASHBACK TO REAR AND SIDES FOR IMPROVED HYGINE USED IN DIRTY UTILITY ROOMS

* NURSING HOMES / HOSPITALS

DATA SHEET

ITEM: SLOP HOPPER

CODE: SLH-2

DATE:

FEBRUARY - 2003

REV:

C

PAGE No:

114

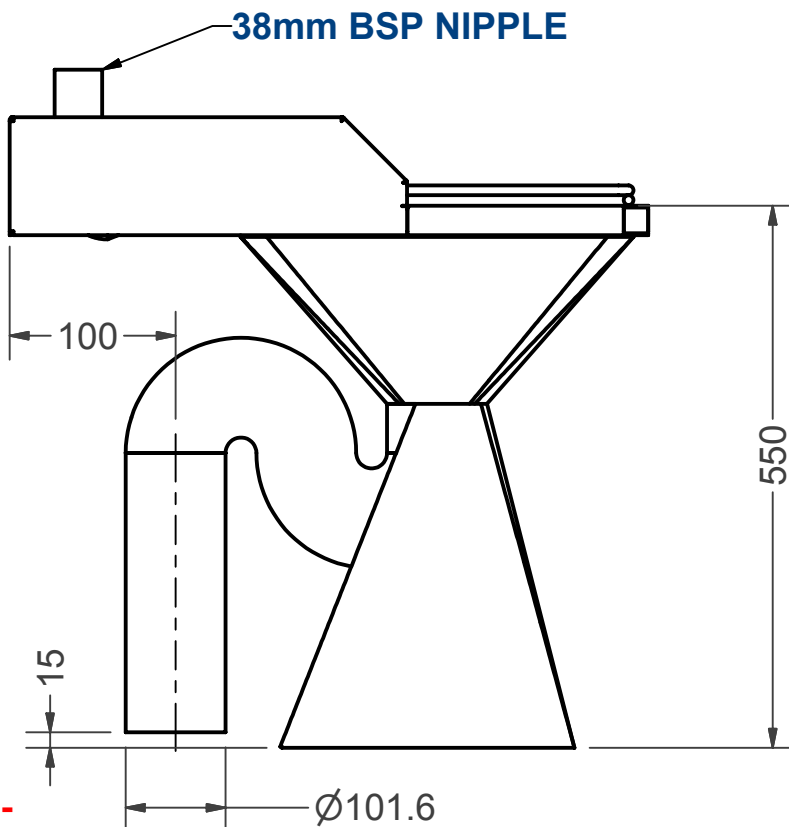
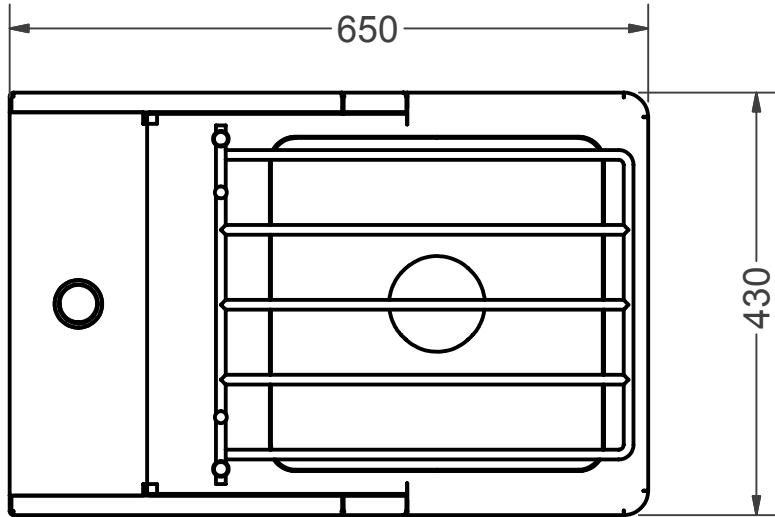
STAINLESS METAL CRAFT

6 BROMLEY ROAD EMU PLAINS 2750
PHONE: (02) 4735 5666 FAX: (02) 4735 7950
E-MAIL info@smcstainless.com.au
www.smcstainless.com.au

THE STAINLESS STEEL PEOPLE

(SINCE 1962)

MATERIAL - GRADE 304 STAINLESS STEEL



38mm BSP NIPPLE

**SPECIFICATIONS -
STAINLESS STEEL SLOP HOPPER
SHALL BE MODEL SLH-2 FROM
STAINLESS METAL CRAFT
PHONE: 02 4735 5666**

**DATA
SHEET**

ITEM: SLOP HOPPER

CODE: SLH-2

DATE:

FEBRUARY - 2003

REV:

C

PAGE No:

114