

# STAINLESS METAL CRAFT

6 BROMLEY ROAD EMU PLAINS 2750  
PHONE: (02) 4735 5666 FAX: (02) 4735 7950  
E-MAIL [info@smcstainless.com.au](mailto:info@smcstainless.com.au)  
[www.smcstainless.com.au](http://www.smcstainless.com.au)

THE STAINLESS STEEL PEOPLE

(SINCE 1962)

MATERIAL - GRADE 304 STAINLESS STEEL

## SECURITY WASH BASIN

### OPTIONS

- \* ACCESS PANEL WHERE REQUIRED
- \* TOILET ROLL HOLDER
- \* TAPWARE



TYPICAL DETENTION TAPWARE SHOWN FOR DISPLAY PURPOSE ONLY AND IS NOT INCLUDED UNLESS SPECIFIED

### \* TYPICAL USE :

- SECURITY WASH BASIN, WITH OPTIONAL INBUILT , TOILET ROLL HOLDER. TYPICALLY FOR DETENTION CELL OR OTHER RESTRICTED SPACE, WITH PLUMBING & FIXINGS CONCEALED .
- LOW MAINTENANCE WITH SUPERIOR VANDAL RESISTANCE
- POLICE STATIONS, GAOLS, JUVENILE JUSTICE CENTRES, COURT HOUSES, IMMIGRATION CENTRES, PSYCHIATRIC HOSPITALS, SHIPS.

**DATA SHEET**

**ITEM: SECURITY WASH BASIN**

**CODE: SWB-1-P**

**DATE:**

**MARCH - 2003**

**REV:**

**C**

**PAGE No:**

**179**

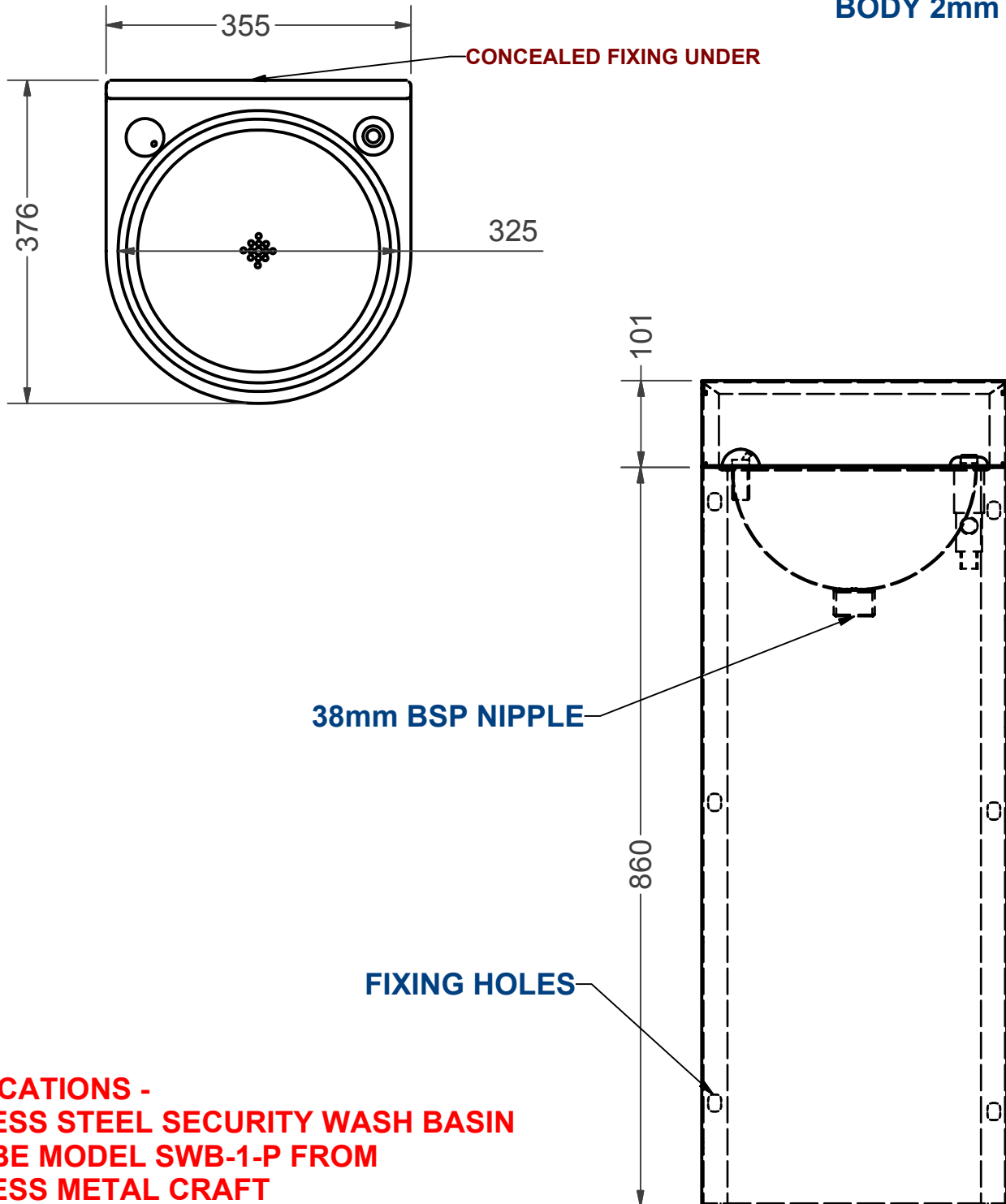
# STAINLESS METAL CRAFT

6 BROMLEY ROAD EMU PLAINS 2750  
PHONE: (02) 4735 5666 FAX: (02) 4735 7950  
E-MAIL [info@smcstainless.com.au](mailto:info@smcstainless.com.au)  
[www.smcstainless.com.au](http://www.smcstainless.com.au)

THE STAINLESS STEEL PEOPLE

(SINCE 1962)

MATERIAL - GRADE 304 STAINLESS STEEL  
TOP 2mm THICK  
BODY 2mm THICK



**SPECIFICATIONS -  
STAINLESS STEEL SECURITY WASH BASIN  
SHALL BE MODEL SWB-1-P FROM  
STAINLESS METAL CRAFT  
PHONE: 02 4735 5666**

**DATA  
SHEET**

**ITEM: SECURITY WASH BASIN**

**CODE: SWB-1-P**

**DATE:**

**MARCH - 2003**

**REV:**

**C**

**PAGE No:**

**179**