

STAINLESS METAL CRAFT

6 BROMLEY ROAD EMU PLAINS 2750
PHONE: (02) 4735 5666 FAX: (02) 4735 7950
E-MAIL info@smcstainless.com.au
www.smcstainless.com.au

THE STAINLESS STEEL PEOPLE

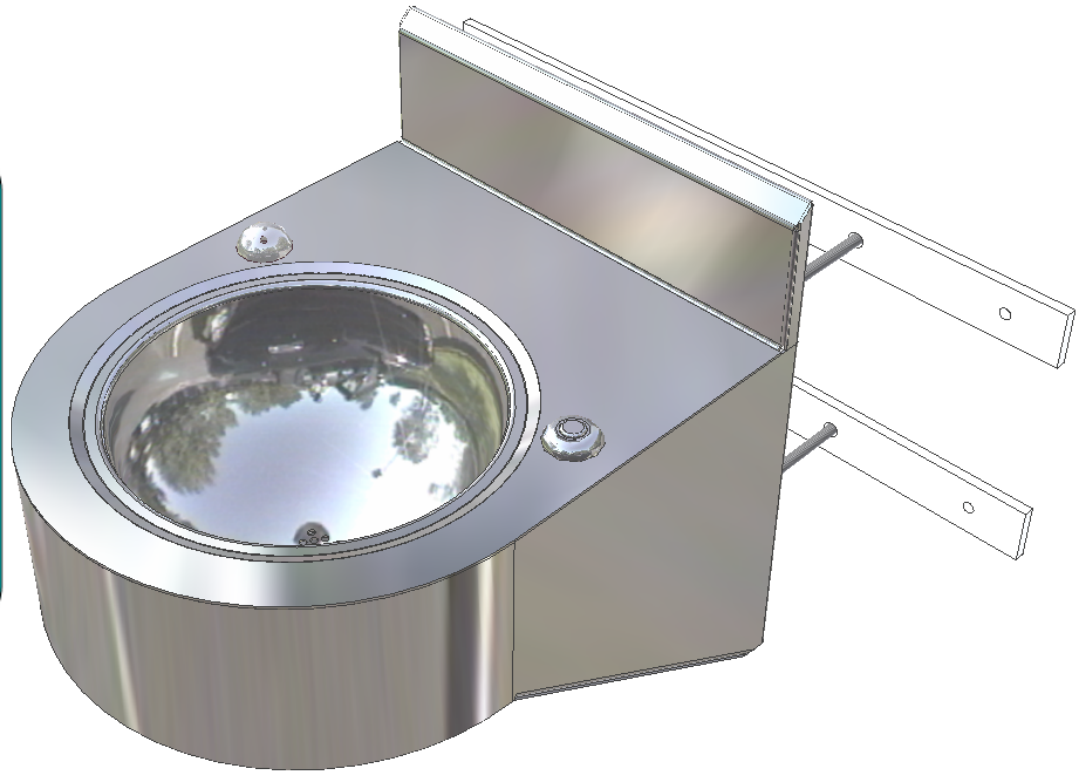
(SINCE 1962)

MATERIAL - GRADE 304 STAINLESS STEEL

DISABLED PERSONS SECURITY WASH BASIN

OPTIONS

- * "S" TRAP COVER
- * PEDESTAL
- * TAPWARE
- * REAR FIXING TO SUIT APPLICATION



TYPICAL DETENTION TAPWARE SHOWN
FOR DISPLAY PURPOSE ONLY AND IS
NOT INCLUDED UNLESS SPECIFIED

* TYPICAL USE :

- SECURITY WASH BASIN, LOW MAINTENANCE WITH SUPERIOR VANDAL RESISTANCE.
- LOW SECURITY DETENTION FACILITIES, COURT HOUSES, RAILWAY STATIONS, PUBLIC AMENITIES.

**DATA
SHEET**

ITEM: SECURITY WASH BASIN

CODE: SWB-2-D

DATE:

MARCH - 2003

REV:

C

PAGE No:

181

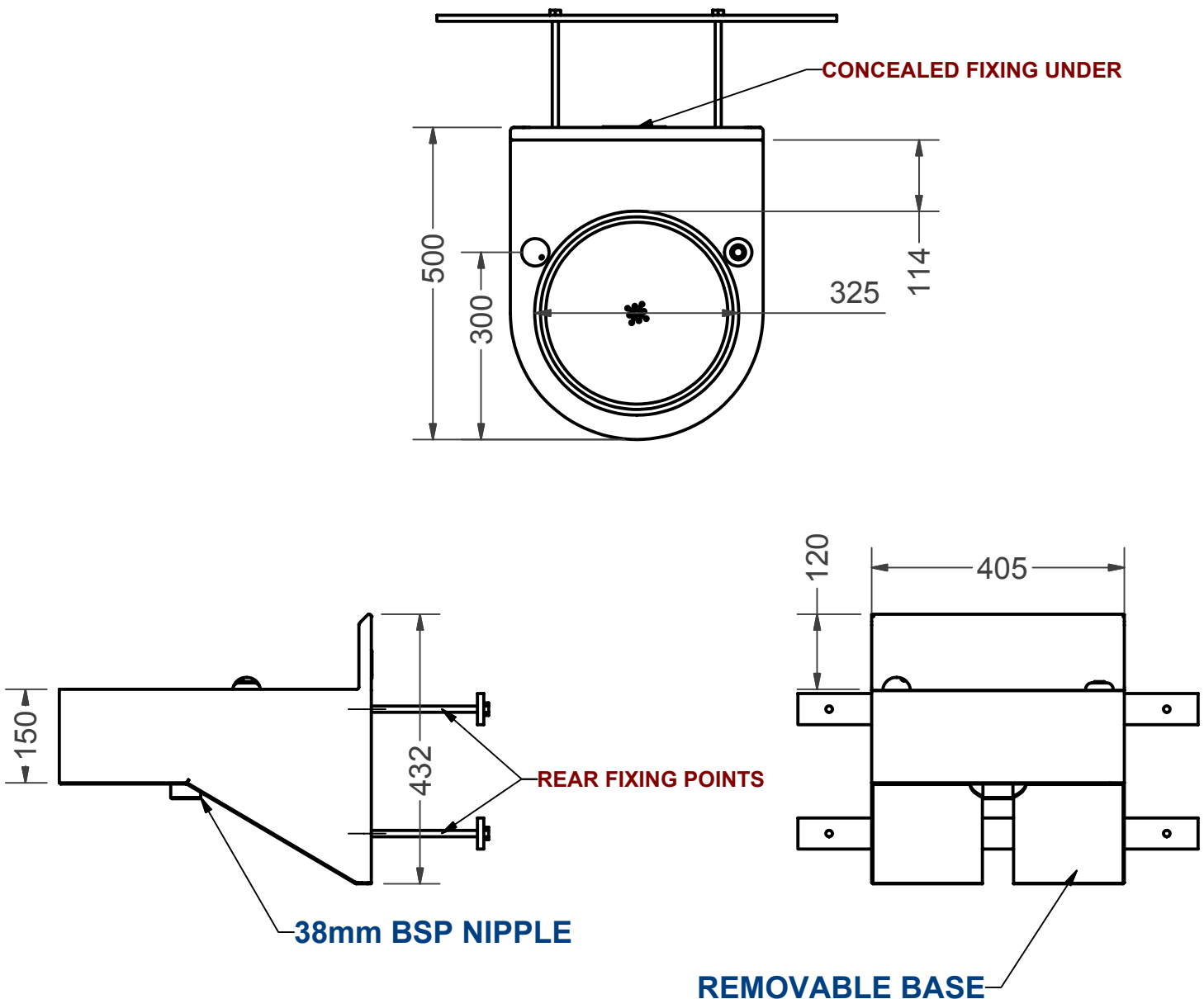
STAINLESS METAL CRAFT

6 BROMLEY ROAD EMU PLAINS 2750
PHONE: (02) 4735 5666 FAX: (02) 4735 7950
E-MAIL info@smcstainless.com.au
www.smcstainless.com.au

THE STAINLESS STEEL PEOPLE

(SINCE 1962)

MATERIAL - GRADE 304 STAINLESS STEEL
TOP 1.6mm THICK
BODY 2mm THICK



SPECIFICATIONS -
STAINLESS STEEL SECURITY WASH BASIN
SHALL BE MODEL SWB-2-D FROM
STAINLESS METAL CRAFT
PHONE: 02 4735 5666

**DATA
SHEET**

ITEM: SECURITY WASH BASIN

CODE: SWB-2-D

DATE:

MARCH - 2003

REV:

C

PAGE No:

181