

STAINLESS METAL CRAFT

6 BROMLEY ROAD EMU PLAINS 2750
PHONE: (02) 4735 5666 FAX: (02) 4735 7950
E-MAIL info@smcstainless.com.au
www.smcstainless.com.au

THE STAINLESS STEEL PEOPLE

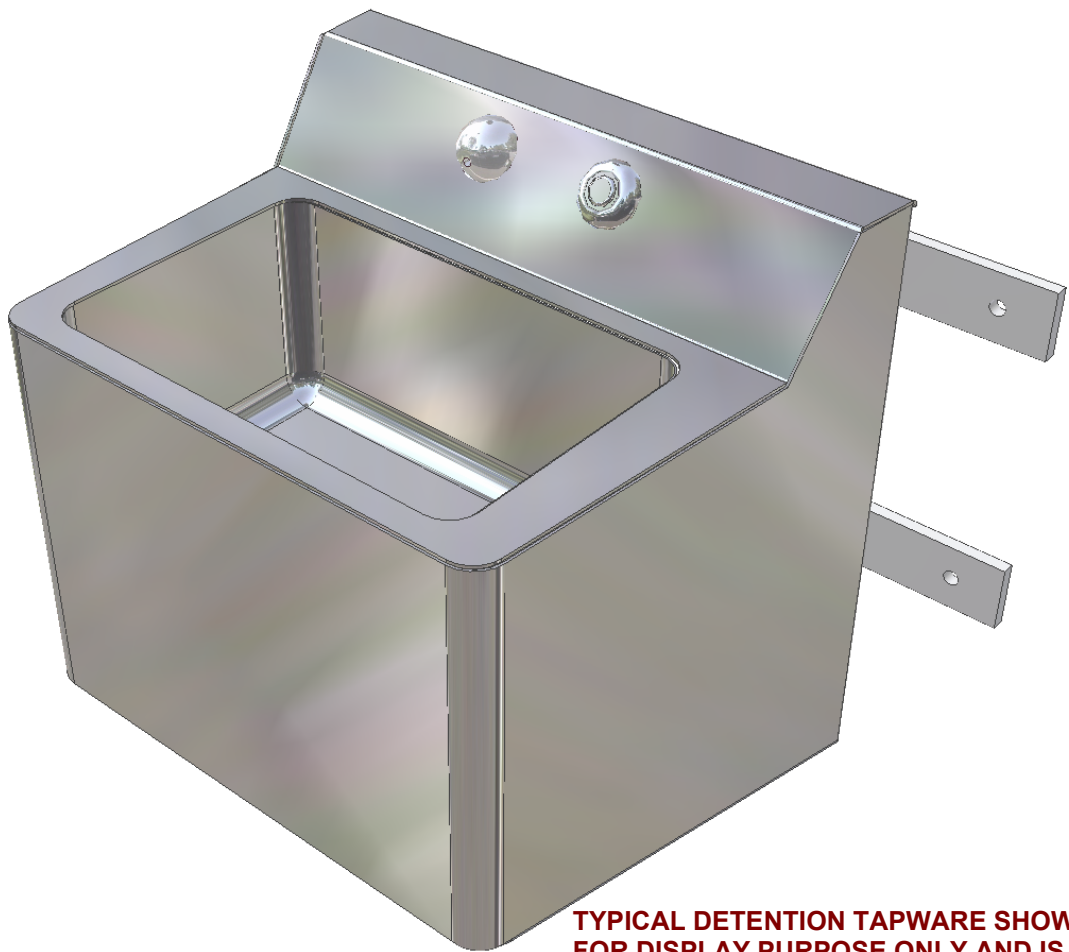
(SINCE 1962)

MATERIAL - GRADE 304 STAINLESS STEEL

SECURITY WASH BASIN

OPTIONS

- * REMOVABLE BASE WHERE REQUIRED
- * TOILET ROLL HOLDER
- * TAPWARE
- * REAR FIXING TO SUIT APPLICATION



TYPICAL DETENTION TAPWARE SHOWN FOR DISPLAY PURPOSE ONLY AND IS NOT INCLUDED UNLESS SPECIFIED

* TYPICAL USE :

- SECURITY WASH BASIN, WITH OPTIONAL INBUILT , TOILET ROLL HOLDER. TYPICALLY FOR DETENTION CELL OR OTHER RESTRICTED SPACE, WITH PLUMBING & FIXINGS CONCEALED .
- LOW MAINTENANCE WITH SUPERIOR VANDAL RESISTANCE
- GAOLS, JUVENILE JUSTICE CENTRES, COURT HOUSES, IMMIGRATION CENTRES, PSYCHIATRIC HOSPITALS, SHIPS.

DATA SHEET

ITEM: SECURITY WASH BASIN

CODE: SWB-3

DATE:

MARCH - 2004

REV:

C

PAGE No:

182

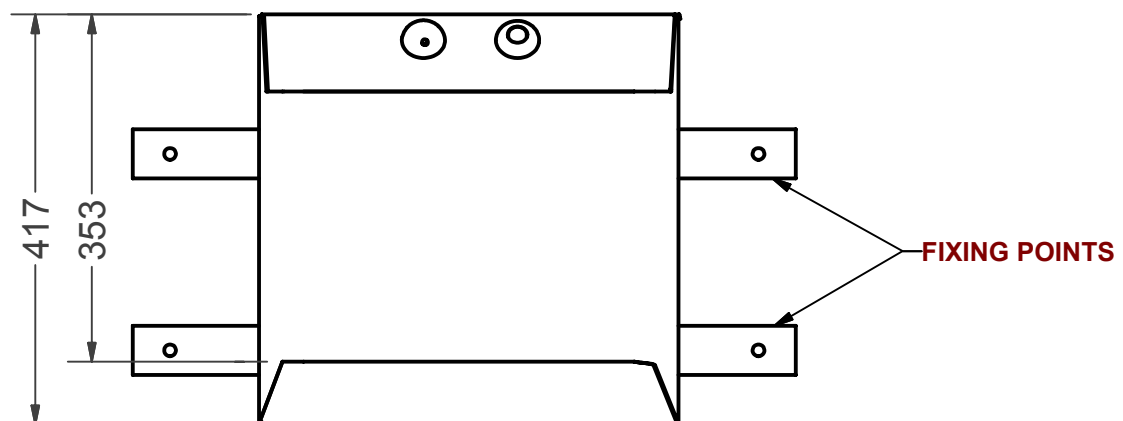
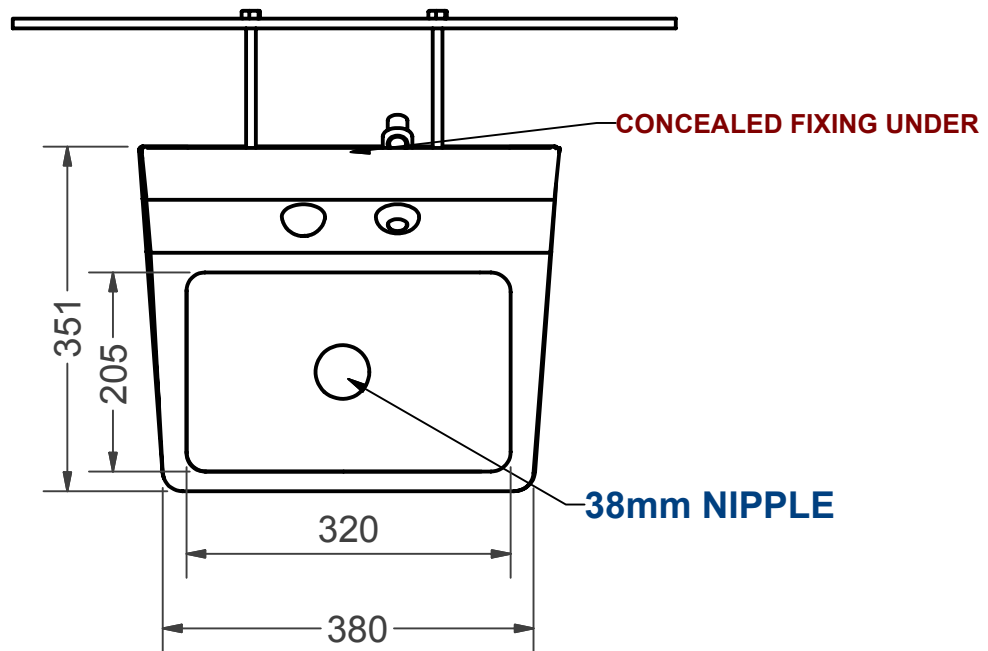
STAINLESS METAL CRAFT

6 BROMLEY ROAD EMU PLAINS 2750
PHONE: (02) 4735 5666 FAX: (02) 4735 7950
E-MAIL info@smcstainless.com.au
www.smcstainless.com.au

THE STAINLESS STEEL PEOPLE

(SINCE 1962)

MATERIAL - GRADE 304 STAINLESS STEEL
TOP 1.6mm THICK
BODY 2mm THICK



**SPECIFICATIONS -
STAINLESS STEEL COMBINATION UNIT
SHALL BE MODEL SWB-3 FROM
STAINLESS METAL CRAFT
PHONE: 02 4735 5666**

**DATA
SHEET**

ITEM: SECURITY WASH BASIN

CODE: SWB-3

DATE:

MARCH - 2004

REV:

C

PAGE No:

182