

STAINLESS METAL CRAFT

6 BROMLEY ROAD EMU PLAINS 2750
PHONE: (02) 4735 5666 FAX: (02) 4735 7950
E-MAIL info@smcstainless.com.au
www.smcstainless.com.au

THE STAINLESS STEEL PEOPLE

(SINCE 1962)

MATERIAL - GRADE 304 STAINLESS STEEL

TOILET ROLL HOLDER



OPTIONS

SINGLE OR DOUBLE ROLL

* TYPICAL USE -
-- TOILET ROLL HOLDER

* CLUBS / HOTELS / COMMERCIAL / INDUSTRIAL / AMENITIES BLOCKS

**DATA
SHEET**

ITEM: TOILET ROLL HOLDER

CODE: TRH-1 OR 2

DATE:

FEBRUARY - 2003

REV:

C

PAGE No:

115

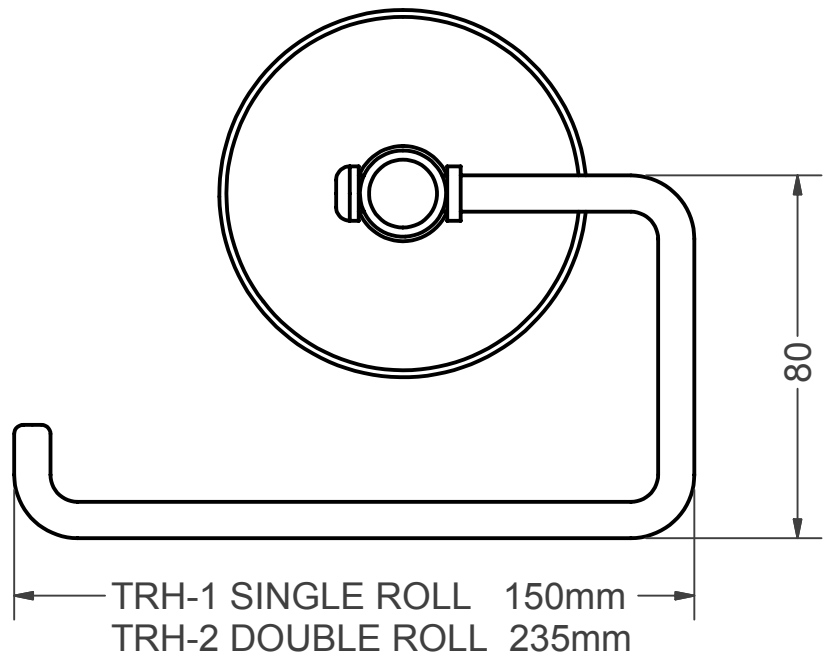
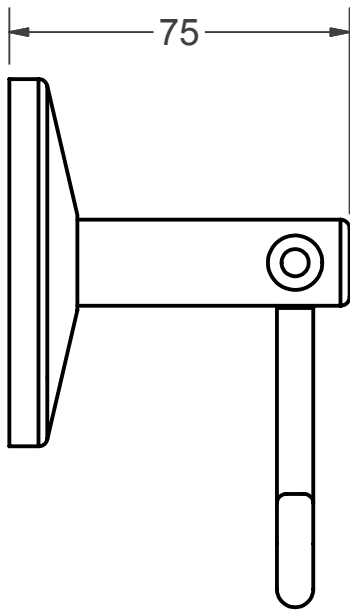
STAINLESS METAL CRAFT

6 BROMLEY ROAD EMU PLAINS 2750
PHONE: (02) 4735 5666 FAX: (02) 4735 7950
E-MAIL info@smcstainless.com.au
www.smcstainless.com.au

THE STAINLESS STEEL PEOPLE

(SINCE 1962)

MATERIAL - GRADE 304 STAINLESS STEEL



**SPECIFICATIONS -
STAINLESS STEEL TOILET ROLL HOLDER
SHALL BE MODEL TRH-1 FROM
STAINLESS METAL CRAFT
PHONE: 02 4735 5666**

**DATA
SHEET**

ITEM: TOILET ROLL HOLDER

CODE: TRH-1 OR 2

DATE:

FEBRUARY - 2003

REV:

C

PAGE No:

115