

STAINLESS METAL CRAFT

6 BROMLEY ROAD EMU PLAINS 2750
PHONE: (02) 4735 5666 FAX: (02) 4735 7950
E-MAIL info@smcstainless.com.au
www.smcstainless.com.au

THE STAINLESS STEEL PEOPLE

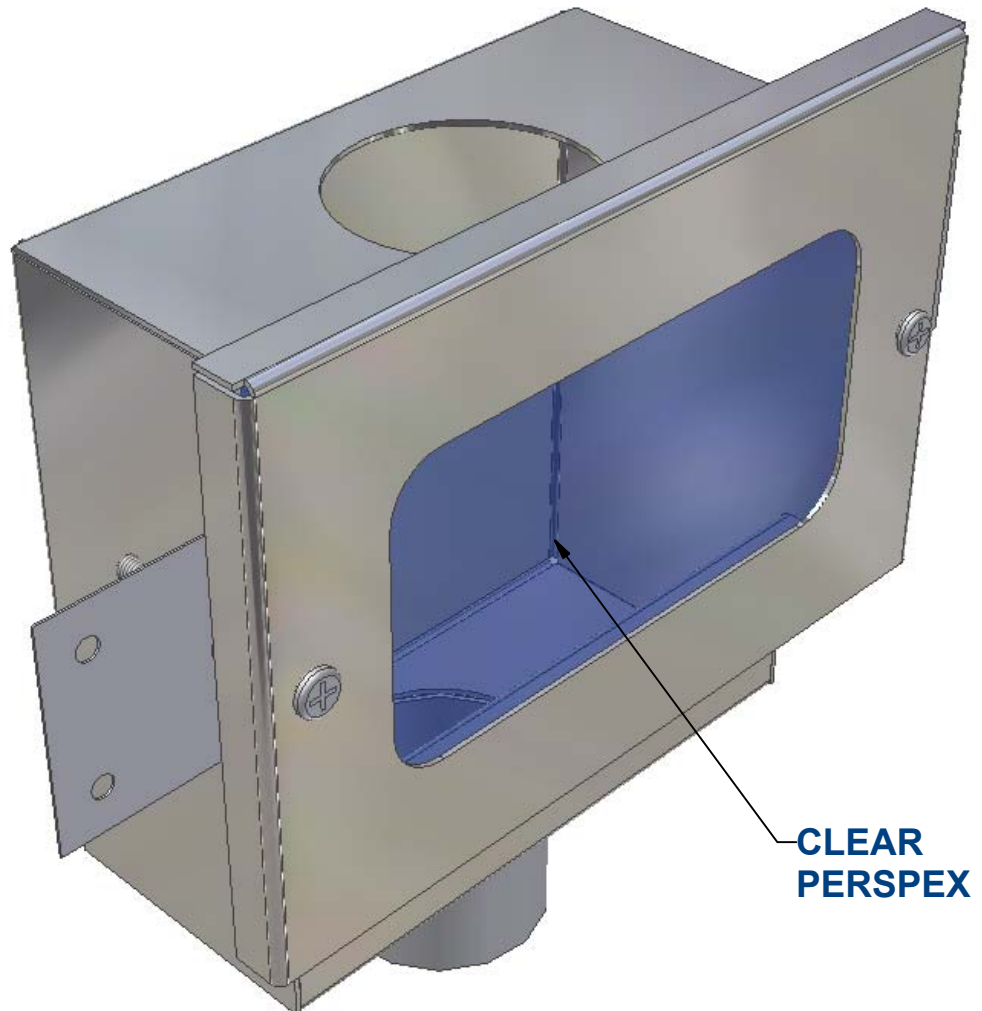
(SINCE 1962)

MATERIAL - GRADE 304 STAINLESS STEEL

RECESSED TUNDISH

OPTIONS

- * MARINE GRADE 316
- * OTHER FACE PLATE WINDOWS AVAILABLE
- * SECURITY FIXINGS



CLEAR
PERSPEX

* TYPICAL USE :
-- IN WALL DISCHARGE POINT FOR CONDENSATE / WATER

* HOSPITALS / AGED CARE / HOTELS / APARTMENT BUILDINGS
MEDICAL CENTRES / RENAL DIALYSIS

**DATA
SHEET**

ITEM: RECESSED TUNDISH

CODE: TU-RE-3

DATE:

FEBRUARY - 2004

REV:

C

PAGE No:

165

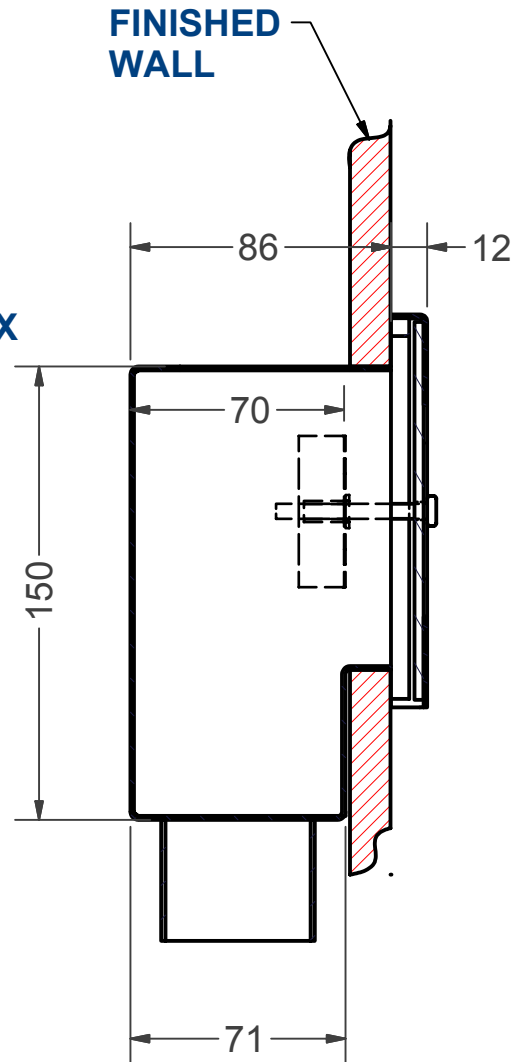
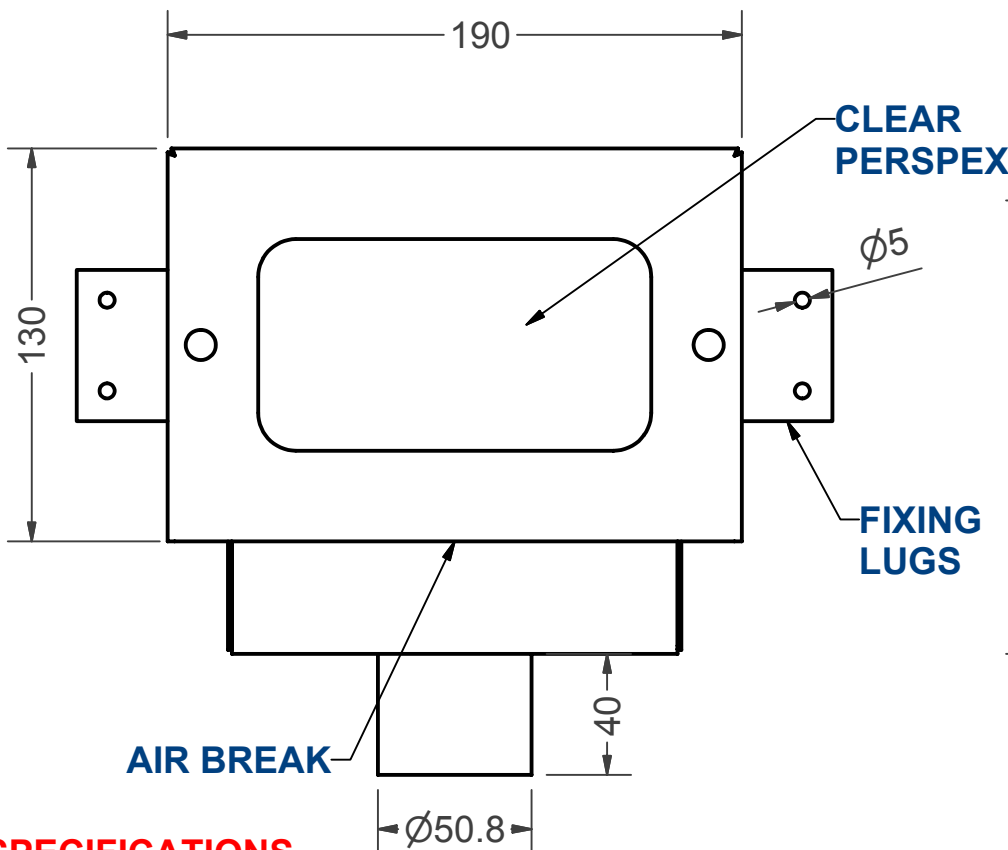
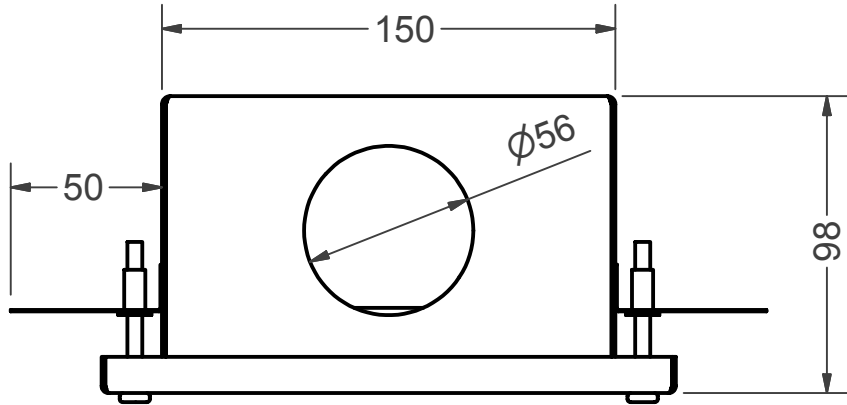
STAINLESS METAL CRAFT

6 BROMLEY ROAD EMU PLAINS 2750
 PHONE: (02) 4735 5666 FAX: (02) 4735 7950
 E-MAIL info@smcstainless.com.au
www.smcstainless.com.au

THE STAINLESS STEEL PEOPLE

(SINCE 1962)

MATERIAL - GRADE 304 STAINLESS STEEL



SPECIFICATIONS -
STAINLESS STEEL RECESSED TUNDISH
SHALL BE MODEL TU-RE-3 FROM
STAINLESS METAL CRAFT
PHONE: 02 4735 5666

DATA SHEET

ITEM: RECESSED TUNDISH

CODE: TU-RE-3

| | | | |
|-------|-----------------|----------|-----|
| DATE: | FEBRUARY - 2004 | | |
| REV: | C | PAGE No: | 165 |