

STAINLESS METAL CRAFT

6 BROMLEY ROAD EMU PLAINS 2750
PHONE: (02) 4735 5666 FAX: (02) 4735 7950
E-MAIL info@smcstainless.com.au
www.smcstainless.com.au

THE STAINLESS STEEL PEOPLE

(SINCE 1962)

MATERIAL - GRADE 304 STAINLESS STEEL

UNIVERSAL "S" TRAP

OPTIONS

* CAN BE SUPPLIED
AS A FIXED TRAP



* TYPICAL USE -
-- UNIVERSAL S TRAP

-- USE IN CONJUNCTION WITH 'SMC' FS-1 FLUSHING SINK

* NURSING HOMES / HOSPITALS / DAY SURGERY

**DATA
SHEET**

ITEM: UNIVERSAL "S" TRAP

CODE: UST-1

DATE:

FEBRUARY - 2003

REV:

C

PAGE No:

107

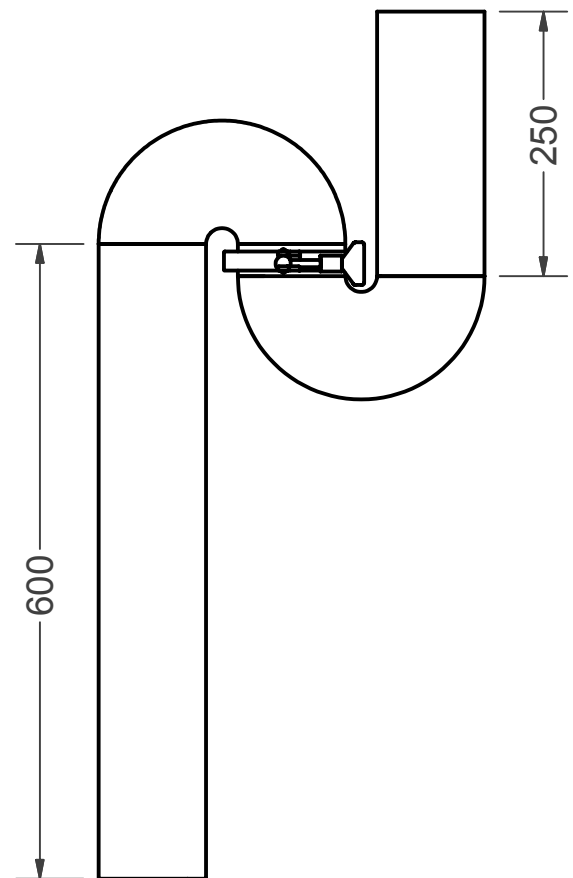
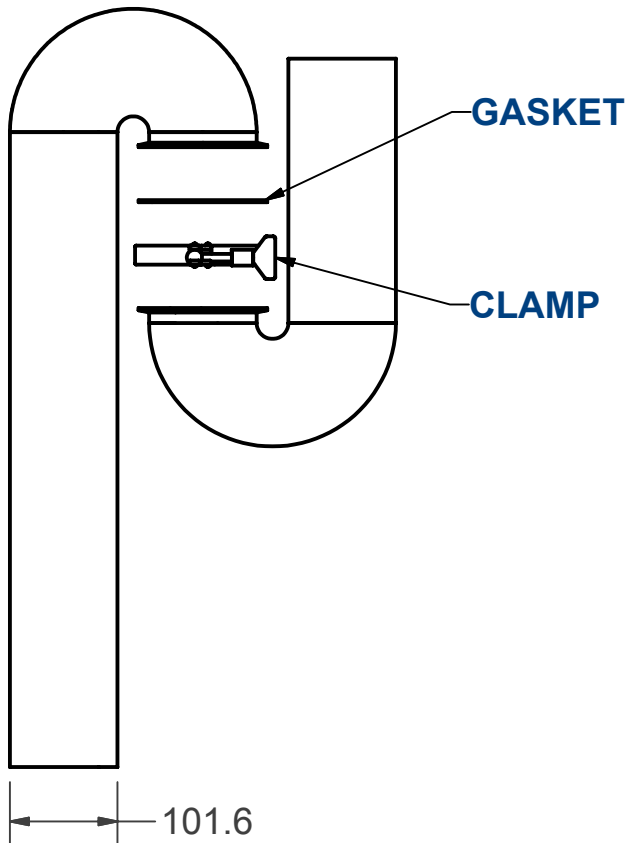
STAINLESS METAL CRAFT

6 BROMLEY ROAD EMU PLAINS 2750
PHONE: (02) 4735 5666 FAX: (02) 4735 7950
E-MAIL info@smcstainless.com.au
www.smcstainless.com.au

THE STAINLESS STEEL PEOPLE

(SINCE 1962)

MATERIAL - GRADE 304 STAINLESS STEEL



**SPECIFICATIONS -
STAINLESS STEEL UNIVERSAL "S" TRAP
SHALL BE MODEL UST-1
STAINLESS METAL CRAFT
PHONE: 02 9756 4977**

**DATA
SHEET**

ITEM: UNIVERSAL "S" TRAP

CODE: UST-1

DATE:

FEBRUARY - 2003

REV:

C

PAGE No:

107