

STAINLESS METAL CRAFT

6 BROMLEY ROAD EMU PLAINS 2750
PHONE: (02) 4735 5666 FAX: (02) 4735 7950
E-MAIL info@smcstainless.com.au
www.smcstainless.com.au

THE STAINLESS STEEL PEOPLE

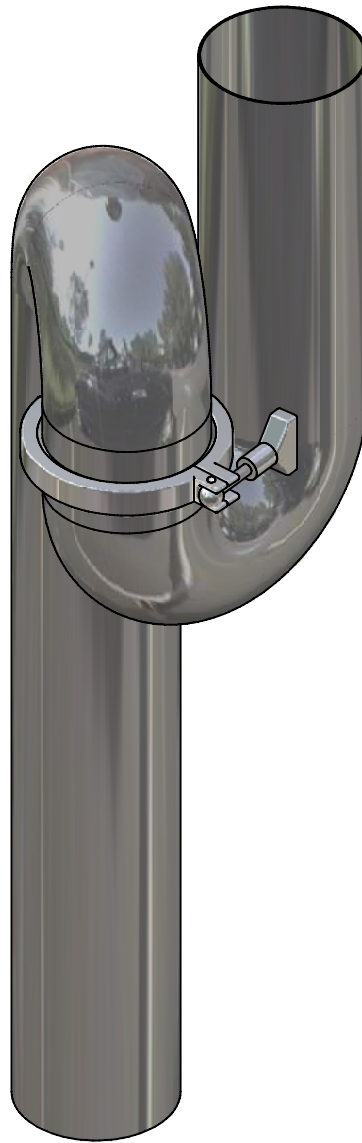
(SINCE 1962)

MATERIAL - GRADE 304 STAINLESS STEEL

UNIVERSAL "S" TRAP

OPTIONS

- * CAN BE SUPPLIED AS A FIXED TRAP
- * 50mm & 38mm ALSO AVAILABLE



* TYPICAL USE -
-- UNIVERSAL S TRAP

-- USE IN CONJUNCTION WITH 'SMC' FS-1 FLUSHING SINK

* NURSING HOMES / HOSPITALS / DAY SURGERY

**DATA
SHEET**

ITEM: UNIVERSAL "S" TRAP

CODE: UST-4

DATE:

FEBRUARY - 2003

REV:

C

PAGE No:

112

STAINLESS METAL CRAFT

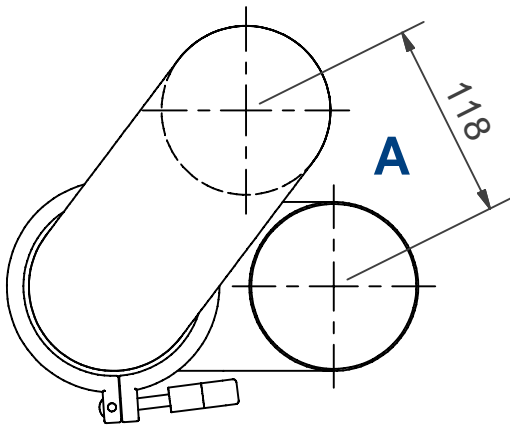
6 BROMLEY ROAD EMU PLAINS 2750
 PHONE: (02) 4735 5666 FAX: (02) 4735 7950
 E-MAIL info@smcstainless.com.au
www.smcstainless.com.au

THE STAINLESS STEEL PEOPLE

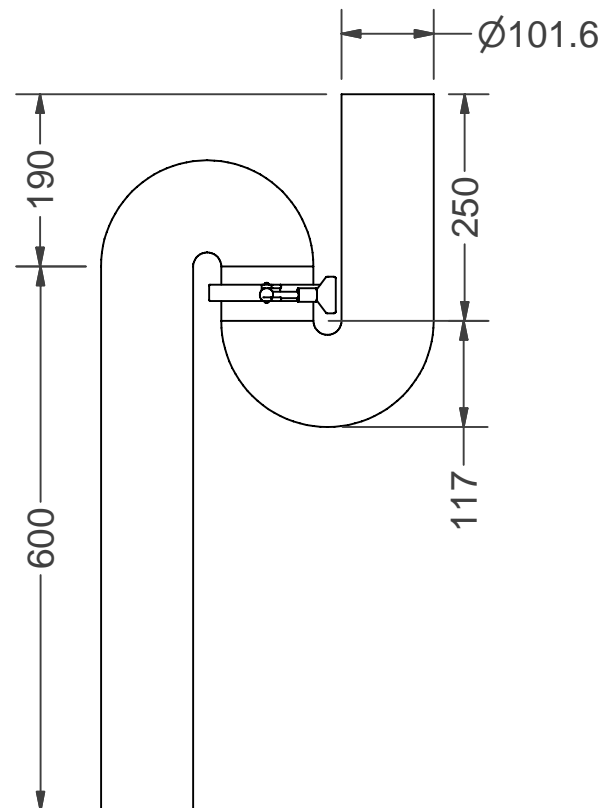
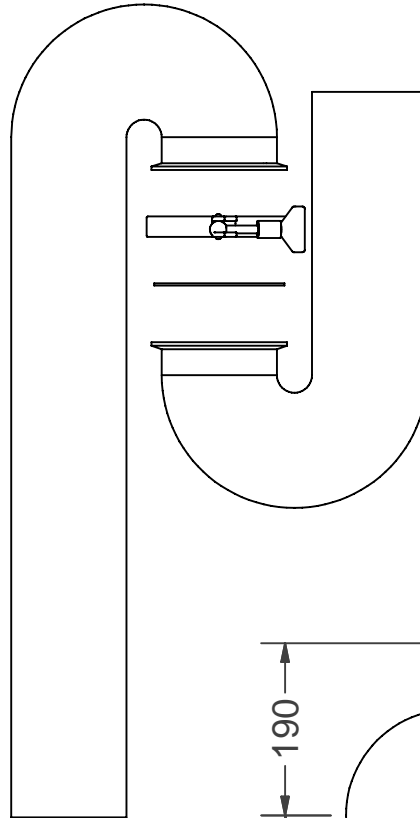
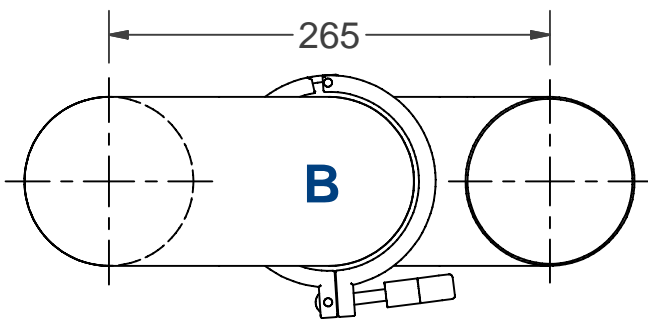
(SINCE 1962)

MATERIAL - GRADE 304 STAINLESS STEEL

"S" trap closed



"S" trap open



SPECIFICATIONS -
STAINLESS STEEL UNIVERSAL "S" TRAP
SHALL BE MODEL UST-4
STAINLESS METAL CRAFT
PHONE: 02 4735 5666

Ø	A	B	C
101.6			

DATA SHEET

ITEM: UNIVERSAL "S" TRAP

CODE: UST-4

DATE:

FEBRUARY - 2003

REV:

C

PAGE No:

112