

STAINLESS METAL CRAFT

6 BROMLEY ROAD EMU PLAINS 2750
PHONE: (02) 4735 5666 FAX: (02) 4735 7950
E-MAIL info@smcstainless.com.au
www.smcstainless.com.au

THE STAINLESS STEEL PEOPLE

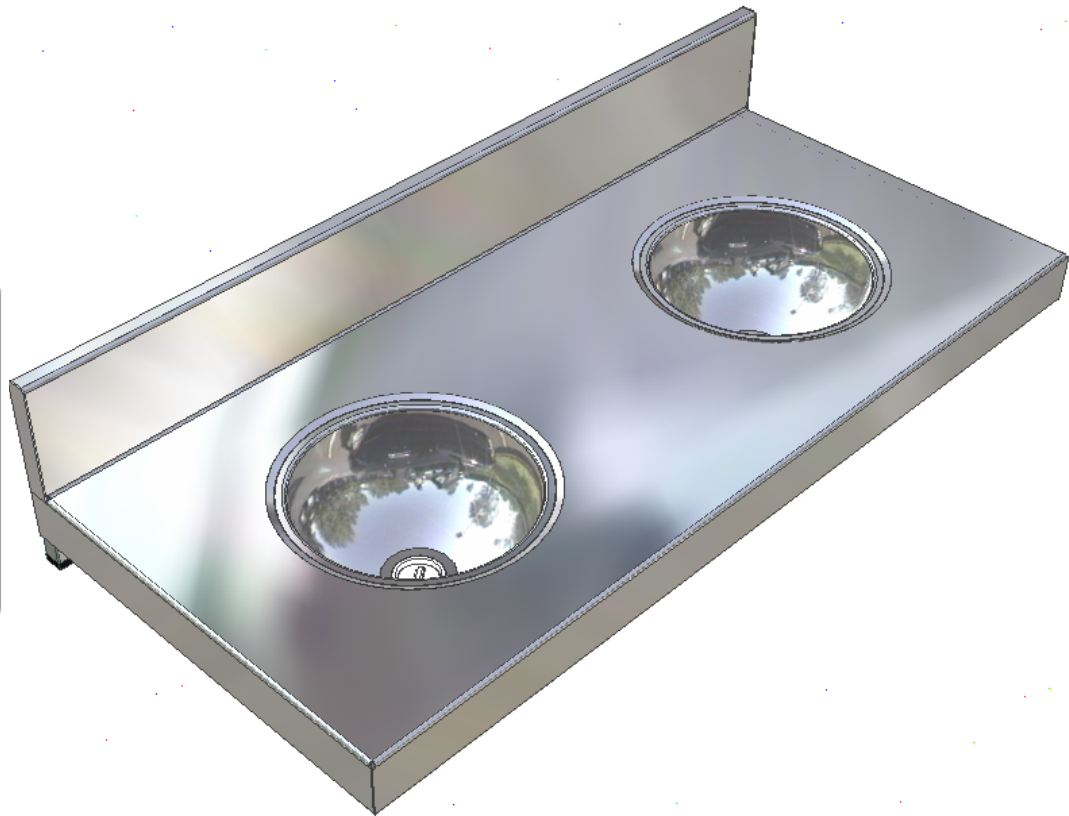
(SINCE 1962)

MATERIAL - GRADE 304 STAINLESS STEEL

VANITY BASINS

OPTIONS

- * PRE PLUMBED BY SMC WITH YOUR CHOICE OF HANDS FREE TAPWARE
- * SPLASHBACK TO SIDES
- * TILE EDGES



BRACKETS SUPPLIED

*** TYPICAL USE :**
- VANITY BENCH AND BASIN UNIT - GOOD LOOKS - LOW MAINTENANCE - HIGH VANDAL RESISTANCE

*** PUBLIC AMENITIES eg COUNCIL , RAILWAY STATIONS / SHOPPING CENTRES ,
*SCHOOLS , INDUSTRY , CLUBS / HOTELS**

DATA SHEET

ITEM: VANITY BASINS

CODE: VB-1, 2 OR 3

DATE:

MARCH - 2003

REV:

C

PAGE No:

88

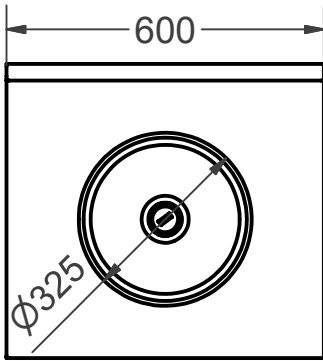
STAINLESS METAL CRAFT

6 BROMLEY ROAD EMU PLAINS 2750
 PHONE: (02) 4735 5666 FAX: (02) 4735 7950
 E-MAIL info@smcstainless.com.au
www.smcstainless.com.au

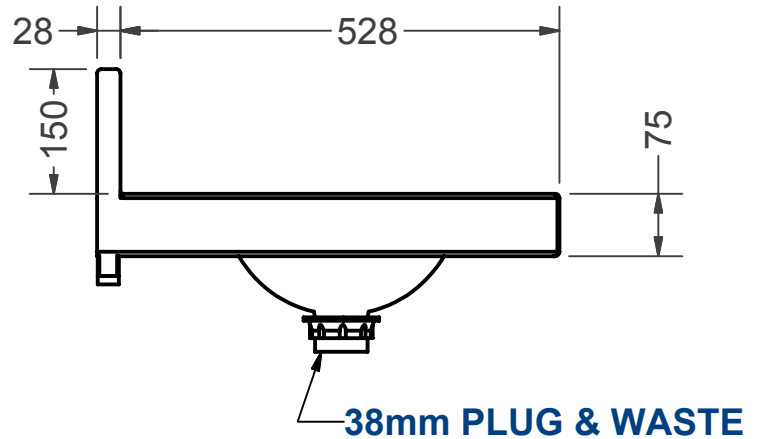
THE STAINLESS STEEL PEOPLE

(SINCE 1962)

MATERIAL - GRADE 304 STAINLESS STEEL

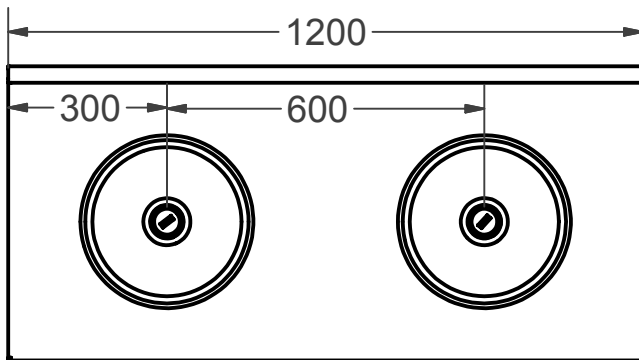


VB-1

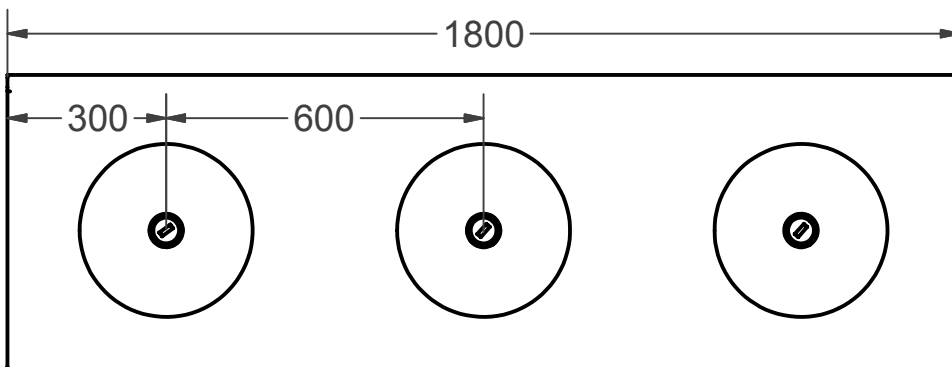


38mm PLUG & WASTE

VB-2



TAP HOLES AS REQUIRED



VB-3

**SPECIFICATIONS -
 STAINLESS STEEL VANITY BASINS
 SHALL BE MODEL VB-1 , 2 , & 3 FROM
 STAINLESS METAL CRAFT
 PHONE: 02 4735 5666**

**DATA
 SHEET**

ITEM: VANITY BASINS

CODE: VB-1, 2 OR 3

DATE:

MARCH - 2003

REV:

C

PAGE No:

88