

STAINLESS METAL CRAFT

6 BROMLEY ROAD EMU PLAINS 2750
PHONE: (02) 4735 5666 FAX: (02) 4735 7950
E-MAIL info@smcstainless.com.au
www.smcstainless.com.au

THE STAINLESS STEEL PEOPLE

(SINCE 1962)

MATERIAL - GRADE 304 STAINLESS STEEL

HAND BASIN

OPTIONS

- * TAP HOLES AS REQUIRED
- * STAINLESS STEEL CABINET BELOW



BRACKETS SUPPLIED

* TYPICAL USE -
-- LOW MAINTENANCE HAND BASIN WITH HIGH VANDAL RESISTANCE.

* PUBLIC AMENITIES eg COUNCIL / RAILWAY STATIONS / SHOPPING CENTRES
* SCHOOLS / INDUSTRY / CLUBS / HOTELS

**DATA
SHEET**

ITEM: HAND BASIN

CODE: WB-1

DATE:

MARCH - 2003

REV:

C

PAGE No:

80

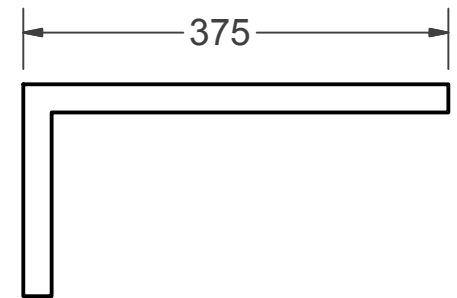
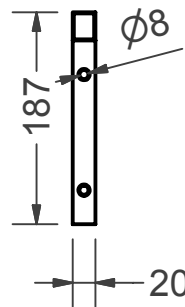
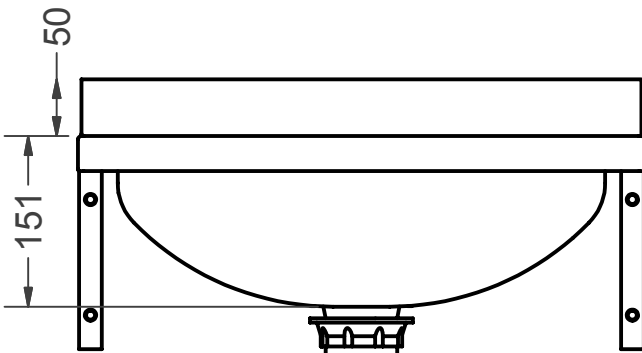
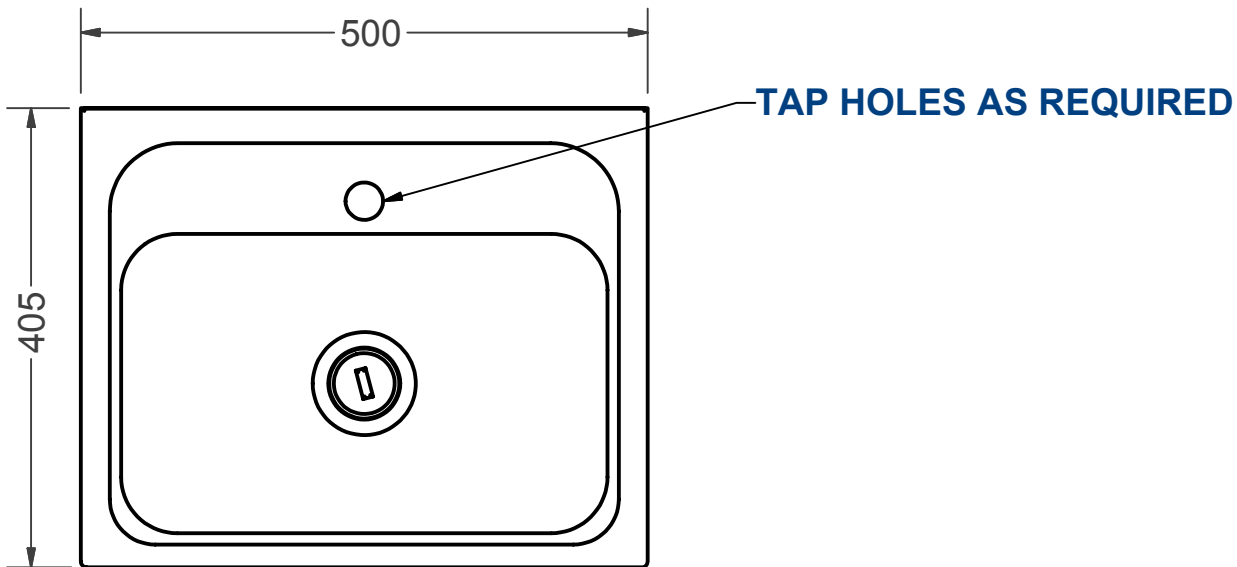
STAINLESS METAL CRAFT

6 BROMLEY ROAD EMU PLAINS 2750
 PHONE: (02) 4735 5666 FAX: (02) 4735 7950
 E-MAIL info@smcstainless.com.au
www.smcstainless.com.au

THE STAINLESS STEEL PEOPLE

(SINCE 1962)

MATERIAL - GRADE 304 STAINLESS STEEL



BRACKETS SUPPLIED

38mm PLUG & WASTE

**SPECIFICATIONS -
 STAINLESS STEEL HAND BASIN
 SHALL BE MODEL WB-1 FROM
 STAINLESS METAL CRAFT
 PHONE: 02 4735 5666**

**DATA
 SHEET**

ITEM: HAND BASIN

CODE: WB-1

DATE:

MARCH - 2003

REV:

C

PAGE No:

80