

STAINLESS METAL CRAFT

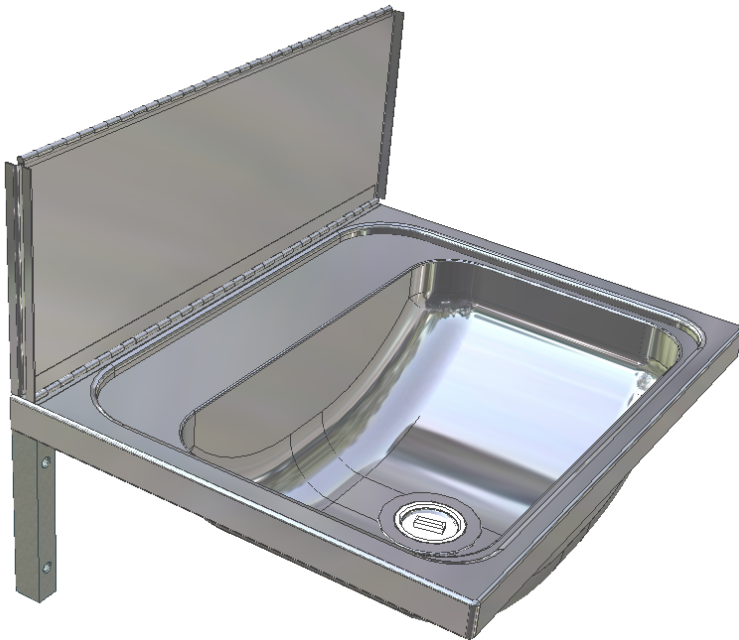
6 BROMLEY ROAD EMU PLAINS 2750
PHONE: (02) 4735 5666 FAX: (02) 4735 7950
E-MAIL info@smcstainless.com.au
www.smcstainless.com.au

THE STAINLESS STEEL PEOPLE

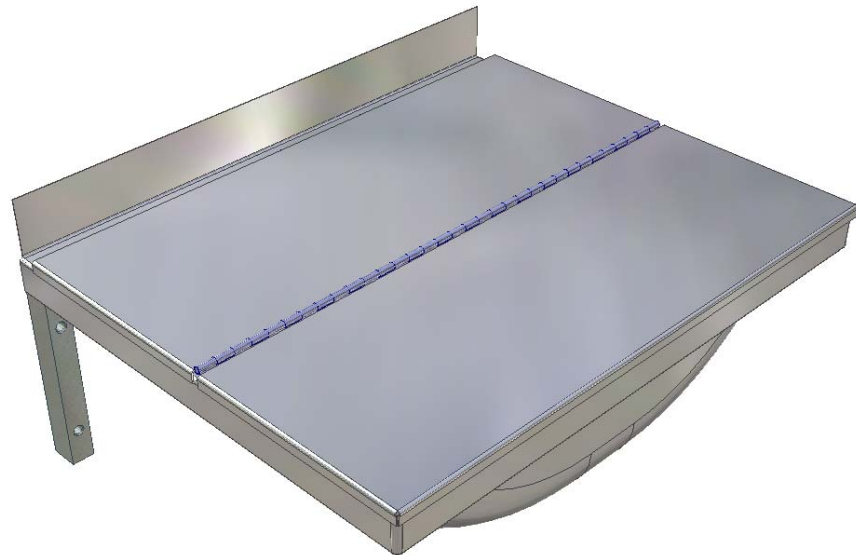
(SINCE 1962)

MATERIAL - GRADE 304 STAINLESS STEEL

ROOF WELL SINK



BRACKETS SUPPLIED



- * TYPICAL USE -
 - MULTI PURPOSE BASIN WITH HINGED COVER
 - Mc DONALDS STORES SPECIFICATION
- * FOR USE IN PLANT ROOMS & ROOFTOPS

**DATA
SHEET**

ITEM: ROOF WELL SINK

CODE: WBMH-2

DATE:

MARCH - 2003

REV:

C

PAGE No:

84

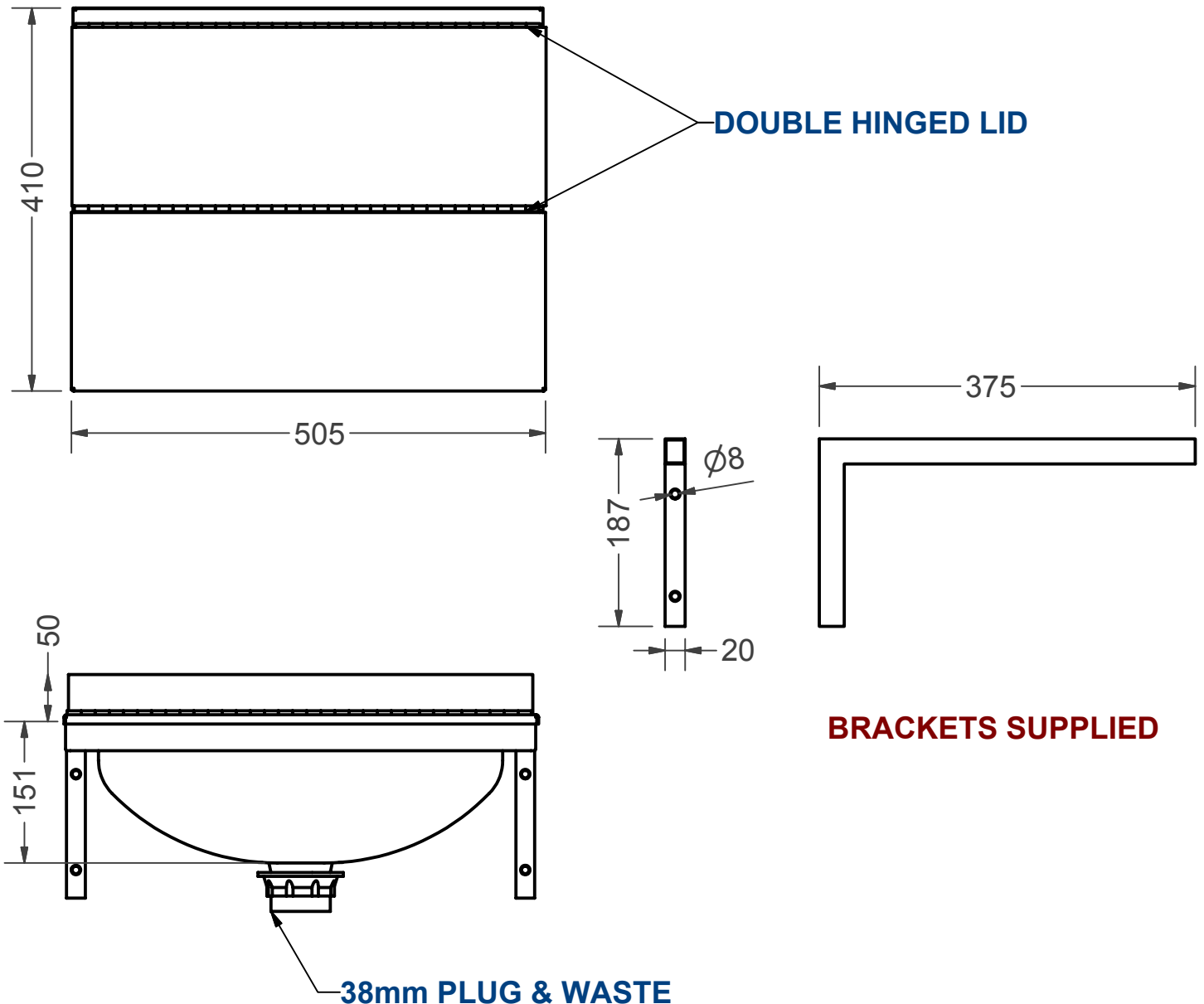
STAINLESS METAL CRAFT

6 BROMLEY ROAD EMU PLAINS 2750
 PHONE: (02) 4735 5666 FAX: (02) 4735 7950
 E-MAIL info@smcstainless.com.au
www.smcstainless.com.au

THE STAINLESS STEEL PEOPLE

(SINCE 1962)

MATERIAL - GRADE 304 STAINLESS STEEL



**SPECIFICATIONS -
 STAINLESS STEEL ROOF WELL SINK
 SHALL BE MODEL WBMH-2 FROM
 STAINLESS METAL CRAFT
 PHONE: 02 4735 5666**

**DATA
 SHEET**

ITEM: ROOF WELL SINK

CODE: WBMH-2

DATE:

MARCH - 2003

REV:

C

PAGE No:

84