

# STAINLESS METAL CRAFT

6 BROMLEY ROAD EMU PLAINS 2750  
PHONE: (02) 4735 5666 FAX: (02) 4735 7950  
E-MAIL [info@smcstainless.com.au](mailto:info@smcstainless.com.au)  
[www.smcstainless.com.au](http://www.smcstainless.com.au)

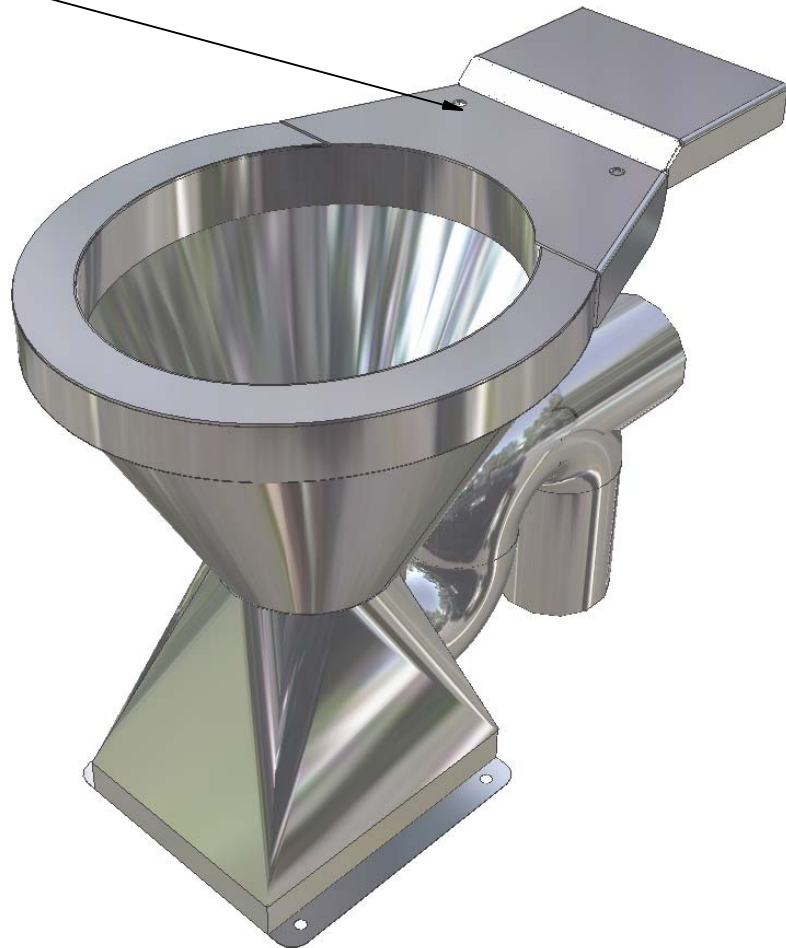
THE STAINLESS STEEL PEOPLE

(SINCE 1962)

MATERIAL - GRADE 304 STAINLESS STEEL

## DISABLED PERSONS TOILET PAN

FIXING HOLES  
FOR TOILET SEAT



### OPTIONS

- \* MARINE GRADE 316
- \* "S" OR "P" TRAP ("S" TRAP DISPLAYED)
- \* SUPPLIED AS FULL SUITE
- \* SECURITY BOLT DOWN FLANGE

### \* TYPICAL USE -

-- LOW MAINTENANCE TOILET PAN WITH HIGH VANDAL RESISTANCE.

\* LOW SECURITY DETENTION FACILITIES

\* PUBLIC AMENITIES eg COUNCILS RAILWAY STATIONS / SHOPPING CENTRES / SCHOOLS / INDUSTRY / CLUBS / HOTELS



**DATA  
SHEET**

**ITEM: DISABLED TOILET PAN - 6 LITRE**

**AS1172**

Lic:SMK 02172

**CODE: WC-D**

**DATE:**

**FEBRUARY - 2003**

**REV:**

**C**

**PAGE No:**

**171**

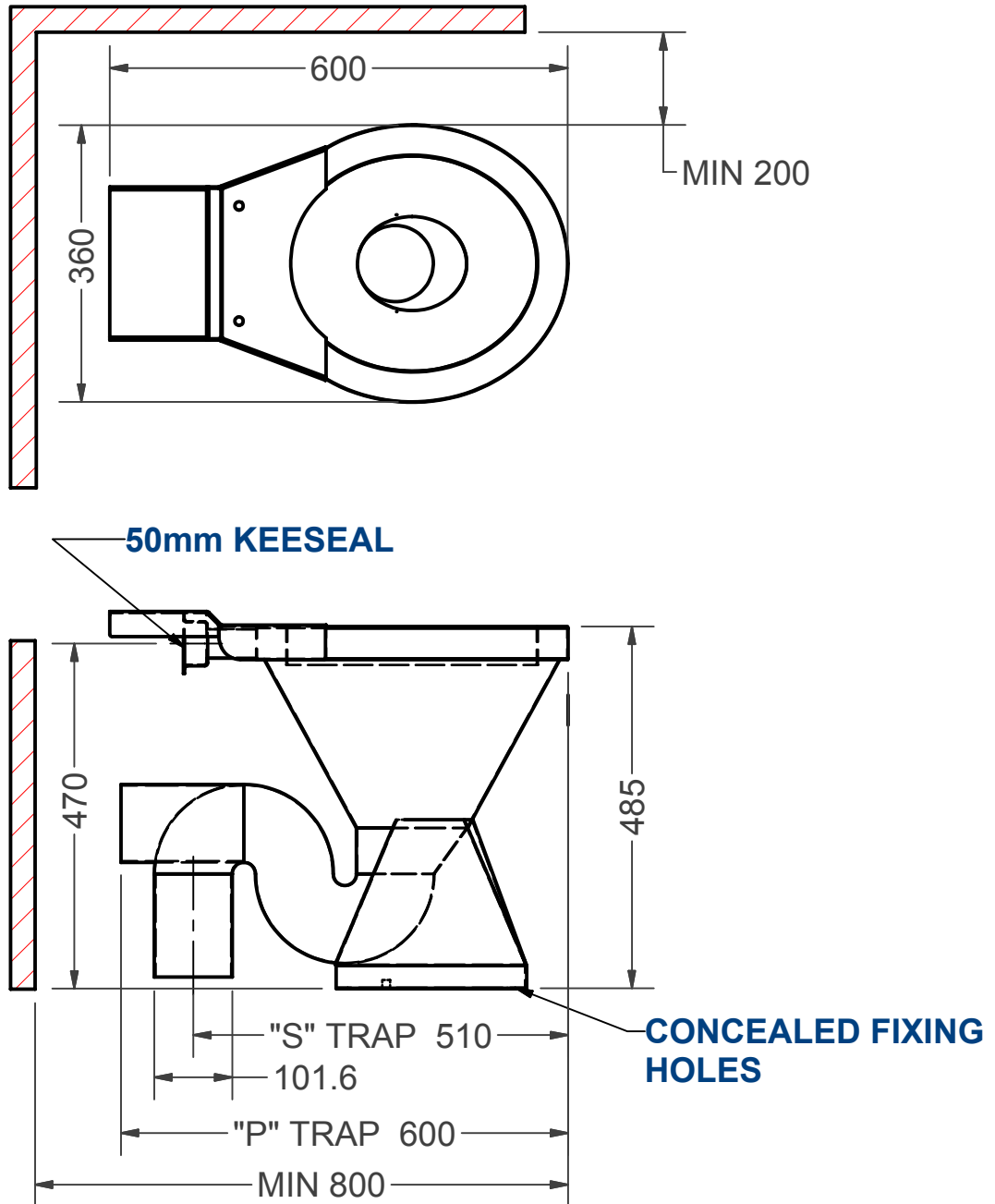
# STAINLESS METAL CRAFT

6 BROMLEY ROAD EMU PLAINS 2750  
 PHONE: (02) 4735 5666 FAX: (02) 4735 7950  
 E-MAIL [info@smcstainless.com.au](mailto:info@smcstainless.com.au)  
[www.smcstainless.com.au](http://www.smcstainless.com.au)

THE STAINLESS STEEL PEOPLE

(SINCE 1962)

MATERIAL - GRADE 304 STAINLESS STEEL



**SPECIFICATIONS -  
 STAINLESS STEEL TOILET PAN  
 SHALL BE MODEL WC-D FROM  
 STAINLESS METAL CRAFT  
 PHONE: 02 4735 5666**

**DATA SHEET**

**ITEM: DISABLED TOILET PAN - 6 LITRE**

**AS1172**

Lic:SMK 02172

**CODE: WC-D**

**DATE:**

**FEBRUARY - 2003**

**REV:**

**C**

**PAGE No:**

**171**