

# STAINLESS METAL CRAFT

6 BROMLEY ROAD EMU PLAINS 2750  
PHONE: (02) 4735 5666 FAX: (02) 4735 7950  
E-MAIL [info@smcstainless.com.au](mailto:info@smcstainless.com.au)  
[www.smcstainless.com.au](http://www.smcstainless.com.au)

THE STAINLESS STEEL PEOPLE

(SINCE 1962)

MATERIAL - GRADE 304 STAINLESS STEEL

## SEALED FLOOR WASTE



### OPTIONS

\* MARINE GRADE 316

### \* TYPICAL USE -

-- INSPECTION COVER PLATE  
USED IN TRADING AREAS  
OF SUPERMARKETS AND  
RETAIL OUTLETS

**DATA  
SHEET**

**ITEM: SEALED FLOOR WASTE**

**CODE: WCP-2-T**

**DATE:**

**OCTOBER - 2003**

**REV:**

**C**

**PAGE No:**

**33**

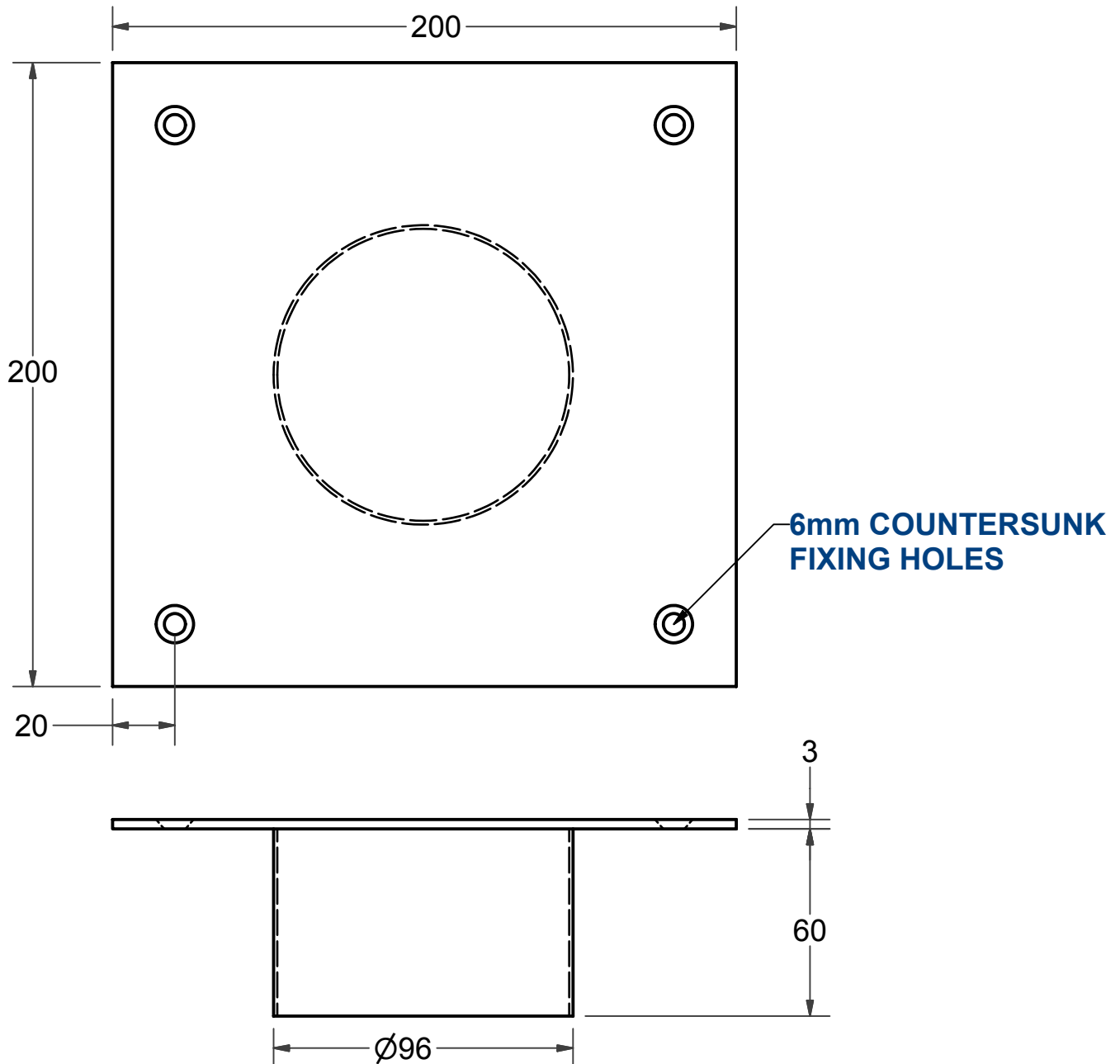
# STAINLESS METAL CRAFT

6 BROMLEY ROAD EMU PLAINS 2750  
PHONE: (02) 4735 5666 FAX: (02) 4735 7950  
E-MAIL [info@smcstainless.com.au](mailto:info@smcstainless.com.au)  
[www.smcstainless.com.au](http://www.smcstainless.com.au)

THE STAINLESS STEEL PEOPLE

(SINCE 1962)

MATERIAL - GRADE 304 STAINLESS STEEL  
--- LOADING: CLASS B



**SPECIFICATIONS -  
STAINLESS STEEL SEALED FLOOR WASTE  
SHALL BE MODEL WCP-2 FROM  
STAINLESS METAL CRAFT  
PHONE: 02 4735 5666**

**DATA  
SHEET**

**ITEM: SEALED FLOOR WASTE**

**CODE: WCP-2-T**

**DATE:**

**OCTOBER - 2003**

**REV:**

**C**

**PAGE No:**

**33**