

STAINLESS METAL CRAFT

6 BROMLEY ROAD EMU PLAINS 2750
PHONE: (02) 4735 5666 FAX: (02) 4735 7950
E-MAIL info@smcstainless.com.au
www.smcstainless.com.au

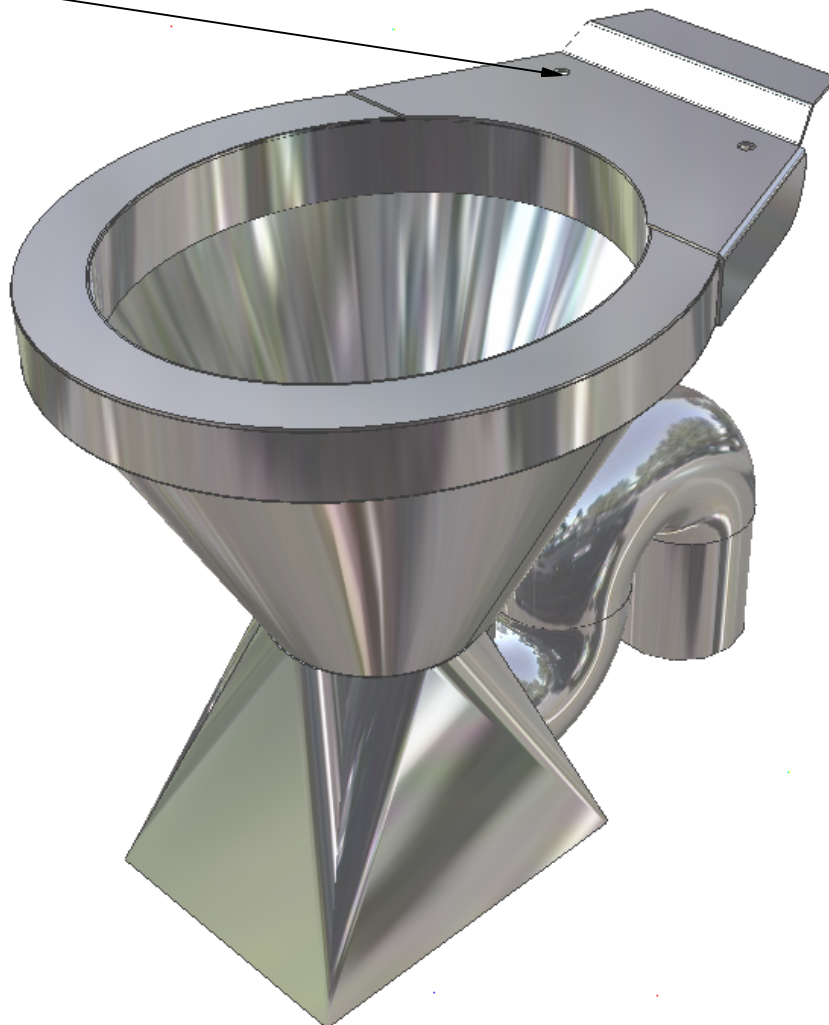
THE STAINLESS STEEL PEOPLE

(SINCE 1962)

MATERIAL - GRADE 304 STAINLESS STEEL

PEDESTAL TOILET PAN

FIXING HOLES
FOR TOILET SEAT



OPTIONS

- * MARINE GRADE 316
- * "S" OR "P" TRAP ("S" TRAP DISPLAYED)
- * SUPPLIED AS FULL SUITE

* TYPICAL USE -

-- LOW MAINTENANCE TOILET PAN WITH HIGH VANDAL RESISTANCE.

* LOW SECURITY DETENTION FACILITIES



**DATA
SHEET**

ITEM: TOILET PAN - 6 LITRE

AS1172

Lic:SMK 02172

CODE: WC-S & WC-P

DATE:

FEBRUARY - 2003

REV:

B

PAGE No:

170

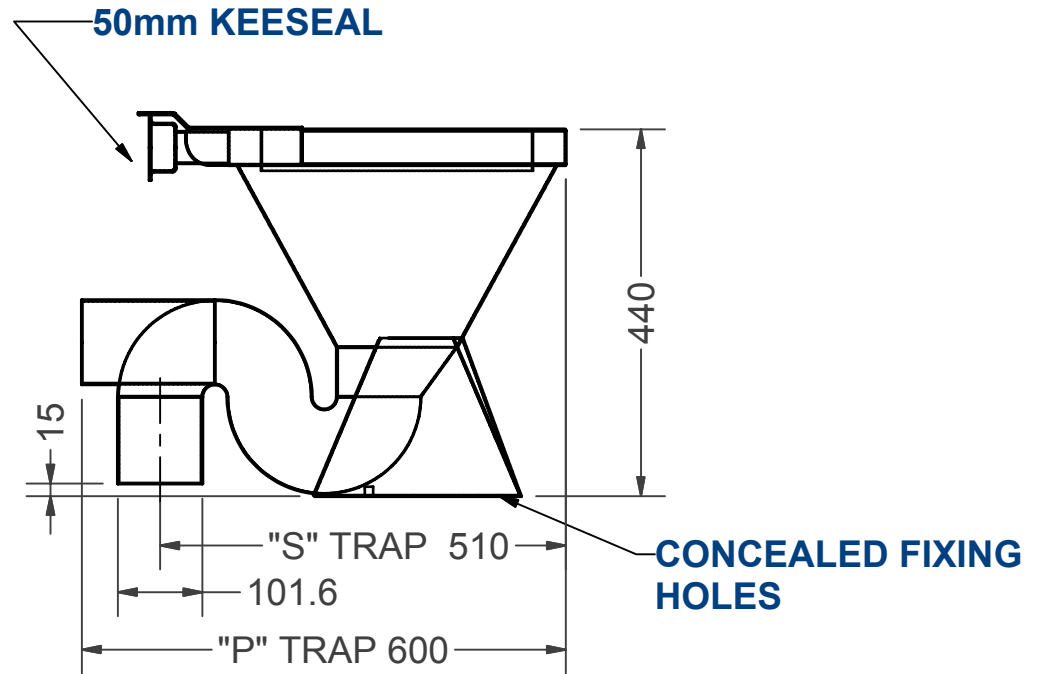
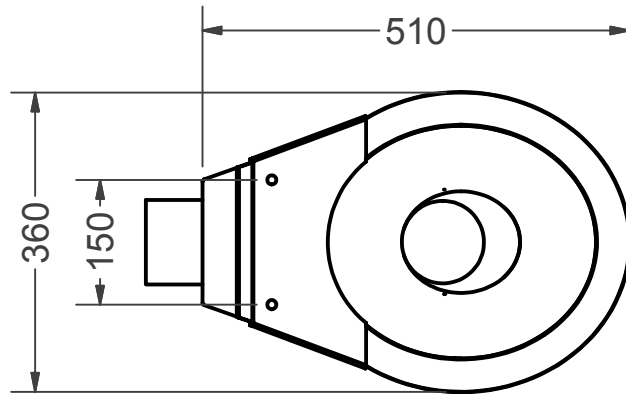
STAINLESS METAL CRAFT

6 BROMLEY ROAD EMU PLAINS 2750
 PHONE: (02) 4735 5666 FAX: (02) 4735 7950
 E-MAIL info@smcstainless.com.au
www.smcstainless.com.au

THE STAINLESS STEEL PEOPLE

(SINCE 1962)

MATERIAL - GRADE 304 STAINLESS STEEL



**SPECIFICATIONS -
 STAINLESS STEEL TOILET PAN
 SHALL BE MODEL WC-S OR WC-P FROM
 STAINLESS METAL CRAFT
 PHONE: 02 4735 5666**

DATA SHEET

ITEM: TOILET PAN - 6 LITRE

AS1172

Lic:SMK 02172

CODE: WC-S & WC-P

DATE:

FEBRUARY - 2003

REV:

B

PAGE No:

170