

STAINLESS METAL CRAFT

6 BROMLEY ROAD EMU PLAINS 2750
 PHONE: (02) 4735 5666 FAX: (02) 4735 7950
 E-MAIL info@smcstainless.com.au
www.smcstainless.com.au

THE STAINLESS STEEL PEOPLE

(SINCE 1962)

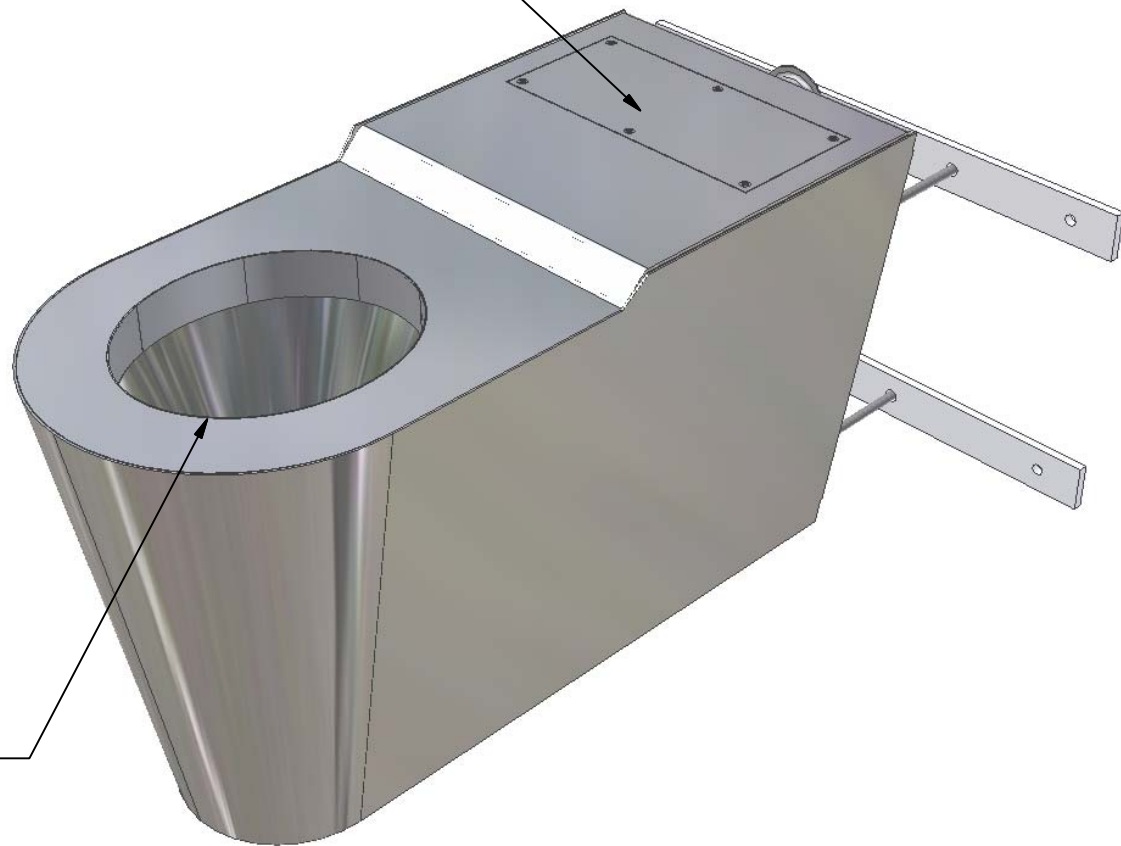
MATERIAL - GRADE 304 STAINLESS STEEL

WALL FACE PAN

ACCESS PANEL

OPTIONS

- * "S" OR "P" TRAP
- * ACCESS PANEL (SHOWN)
- * FIXING HOLES FOR TOILET SEAT
- * TOILET ROLL HOLDER
- * REAR FIXING TO SUIT APPLICATIONS



INTEGRATED COMFORT ZONE

* TYPICAL USE :

- DETENTION CELL OR OTHER RESTRICTED SPACE, WITH PLUMBING & FIXINGS CONCEALED BEHIND IN AN ACCESSIBLE DUCT.
- LOW MAINTENANCE WITH SUPERIOR VANDAL RESISTANCE INCLUDING ANTI - CONTRABAND FLUSHING RIM & INTEGRATED COMFORT SEAT

- GAOLS, POLICE STATIONS, JUVENILE JUSTICE CENTRES, COURT HOUSES, IMMIGRATION CENTRES, PSYCHIATRIC HOSPITALS, SHIPS.



DATA SHEET

ITEM: WALL FACE PAN - 6 LITRE

AS1172

Lic:SMK 02172

CODE: WCWF-D

DATE:

JULY - 2005

REV:

D

PAGE No:

173

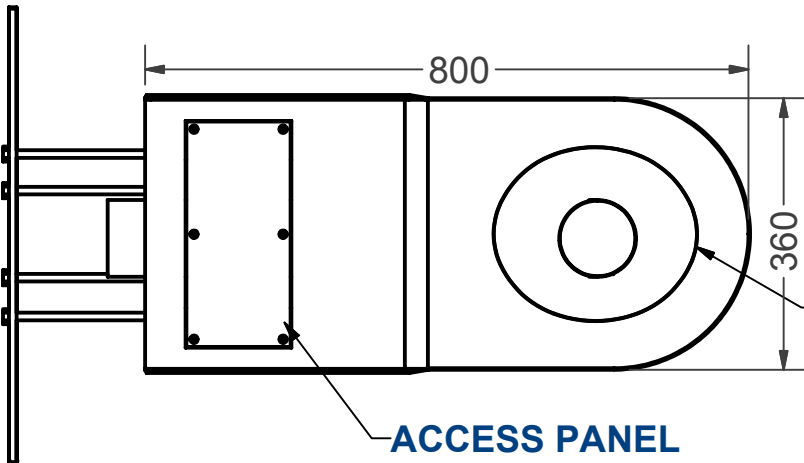
STAINLESS METAL CRAFT

6 BROMLEY ROAD EMU PLAINS 2750
 PHONE: (02) 4735 5666 FAX: (02) 4735 7950
 E-MAIL info@smcstainless.com.au
www.smcstainless.com.au

THE STAINLESS STEEL PEOPLE

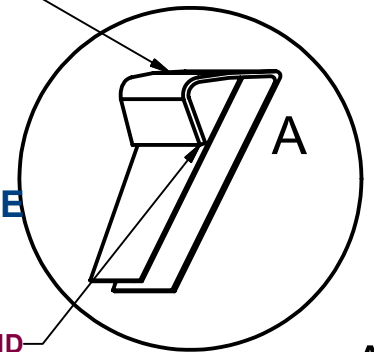
(SINCE 1962)

MATERIAL - GRADE 304 STAINLESS STEEL
 TOP 3mm THICK
 BODY 2mm THICK
 TRAP 1.6mm THICK



INTEGRATED COMFORT ZONE

INTEGRATED COMFORT ZONE

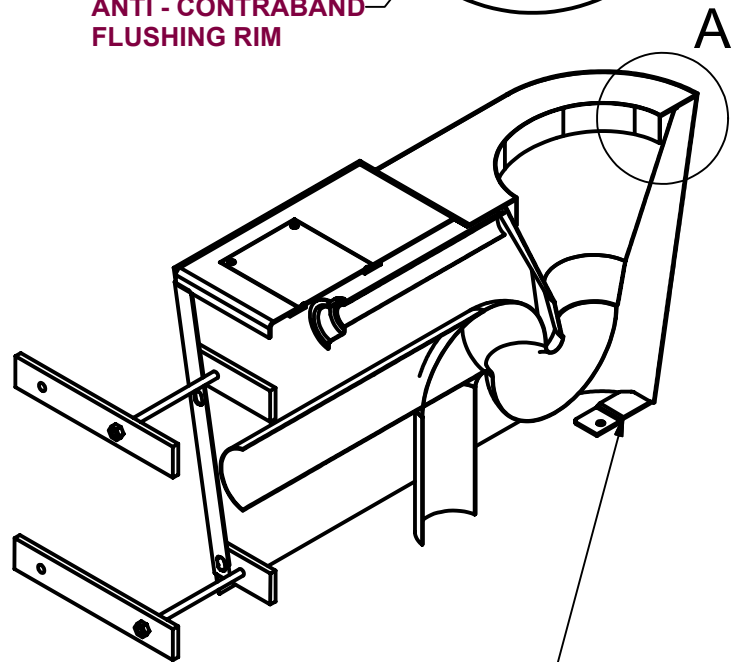
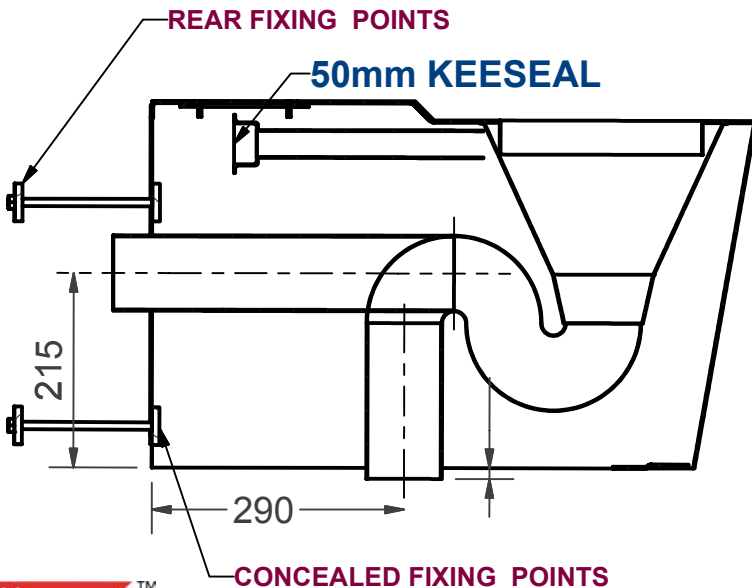


ANTI-CONTRABAND FLUSHING RIM

Ø100 SOIL PIPE

"S" TRAP 290mm FROM REAR

"P": TRAP 215mm FROM BASE



CONCEALED FIXING UNDER



SPECIFICATIONS -
 STAINLESS STEEL WALL FACE PAN
 SHALL BE MODEL WCWF-D FROM
 STAINLESS METAL CRAFT
 PHONE: 02 4735 5666

**DETAILED INSTALLATION
 INFORMATION AVAILABLE**

DATA SHEET

ITEM: WALL FACE PAN - 6 LITRE

AS1172

Lic:SMK 02172

CODE: WCWF-D

DATE:

JULY - 2005

REV:

D

PAGE No:

173