

STAINLESS METAL CRAFT

6 BROMLEY ROAD EMU PLAINS 2750
PHONE: (02) 4735 5666 FAX: (02) 4735 7950
E-MAIL info@smcstainless.com.au
www.smcstainless.com.au

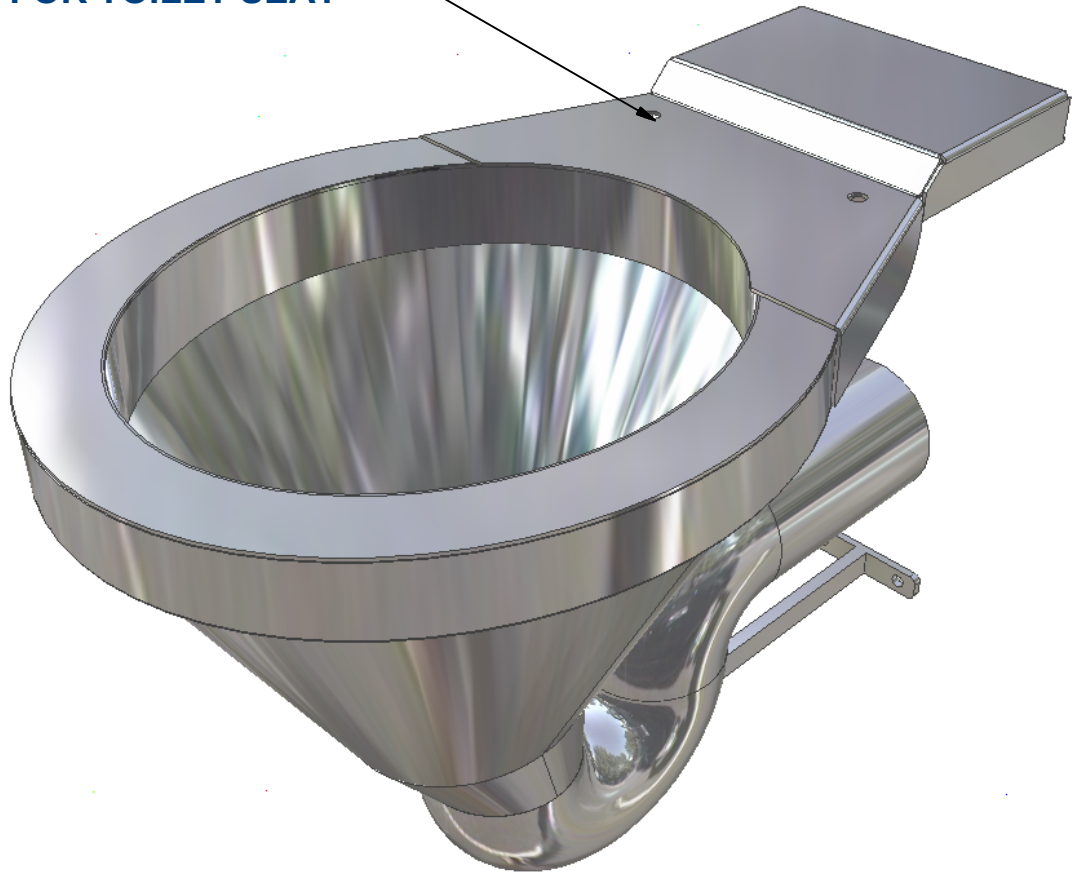
THE STAINLESS STEEL PEOPLE

(SINCE 1962)

MATERIAL - GRADE 304 STAINLESS STEEL

WALL HUNG PAN

FIXING HOLES
FOR TOILET SEAT



OPTIONS

- * DISABLED APPLICATION
- * VARIABLE LENGTH ON INLET & OUTLET TO SUIT WALL THICKNESS

* TYPICAL USE -

-- LOW MAINTENANCE TOILET PAN WITH HIGH VANDAL RESISTANCE.

* PUBLIC AMENITIES eg COUNCIL / RAILWAY STATIONS / SHOPPING CENTRES

* SCHOOLS / LOW SECURITY DETENTION FACILITIES / INDUSTRY / CLUBS / HOTELS



DATA SHEET

ITEM: WALL HUNG PAN - 6 LITRE

AS1172

Lic:SMK 02172

CODE: WCWH

DATE:

FEBRUARY - 2003

REV:

C

PAGE No:

59

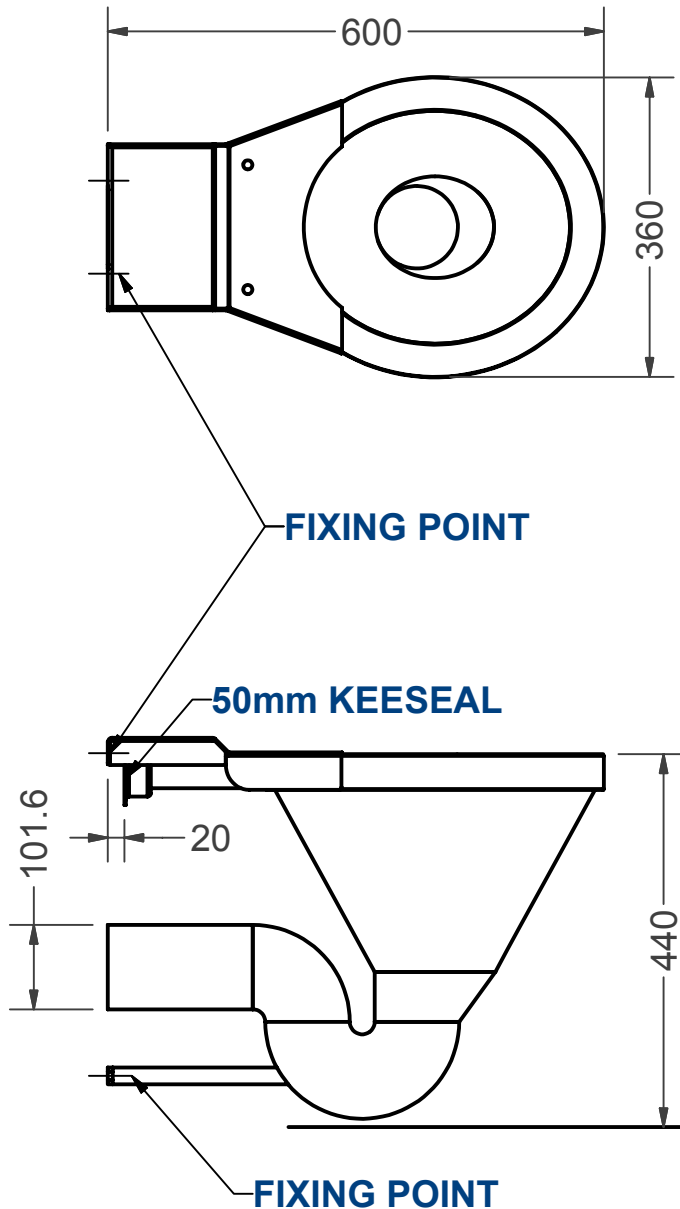
STAINLESS METAL CRAFT

6 BROMLEY ROAD EMU PLAINS 2750
 PHONE: (02) 4735 5666 FAX: (02) 4735 7950
 E-MAIL info@smcstainless.com.au
www.smcstainless.com.au

THE STAINLESS STEEL PEOPLE

(SINCE 1962)

MATERIAL - GRADE 304 STAINLESS STEEL



**SPECIFICATIONS -
 STAINLESS STEEL WALL HUNG PAN
 SHALL BE MODEL WCWH FROM
 STAINLESS METAL CRAFT
 PHONE: 02 4735 5666**

DATA SHEET

ITEM: WALL HUNG PAN - 6 LITRE

AS1172

Lic:SMK 02172

CODE: WCWH

DATE:

FEBRUARY - 2003

REV:

C

PAGE No:

59