

STAINLESS METAL CRAFT

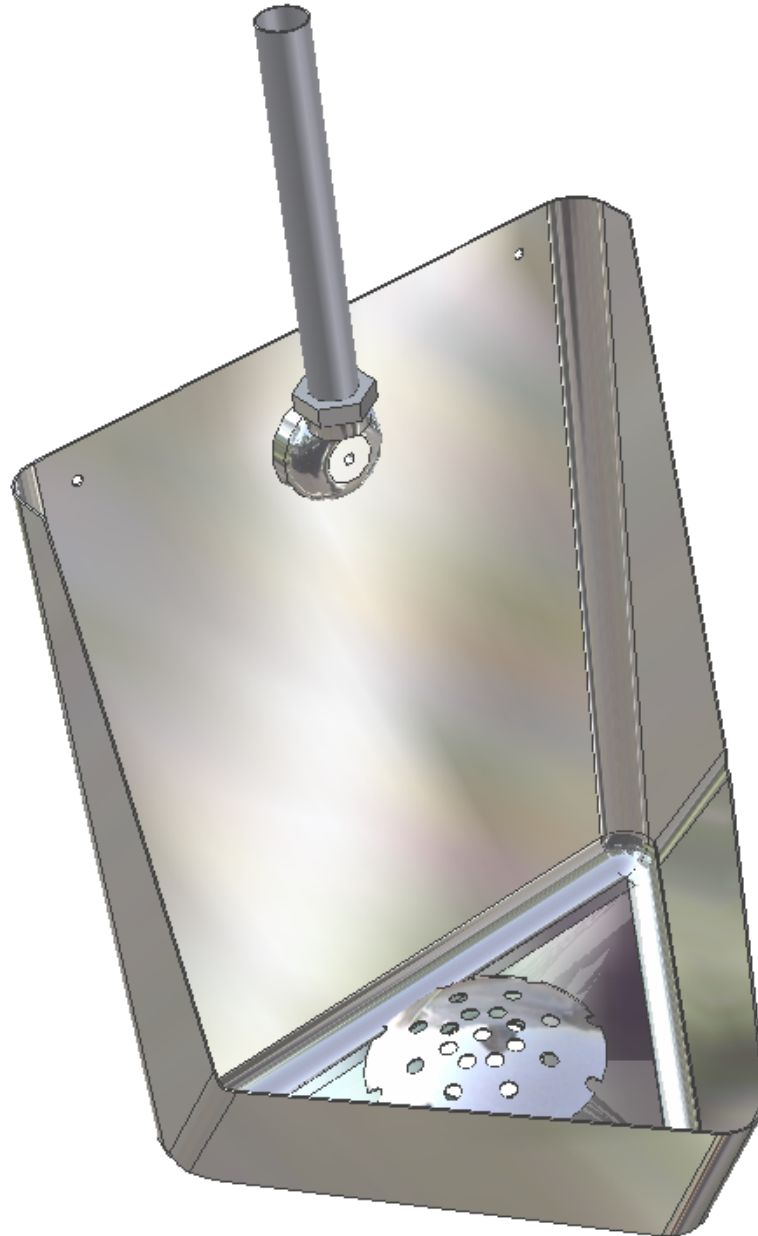
6 BROMLEY ROAD EMU PLAINS 2750
PHONE: (02) 4735 5666 FAX: (02) 4735 7950
E-MAIL info@smcstainless.com.au
www.smcstainless.com.au

THE STAINLESS STEEL PEOPLE

(SINCE 1962)

MATERIAL - GRADE 304 STAINLESS STEEL

WALL HUNG URINAL



* TYPICAL USE -
-- MALE TOILET

* INDIVIDUAL MODEL

**DATA
SHEET**

ITEM: WALL HUNG URINAL

CODE: WH-1

DATE:

OCTOBER - 2003

REV:

C

PAGE No:

54

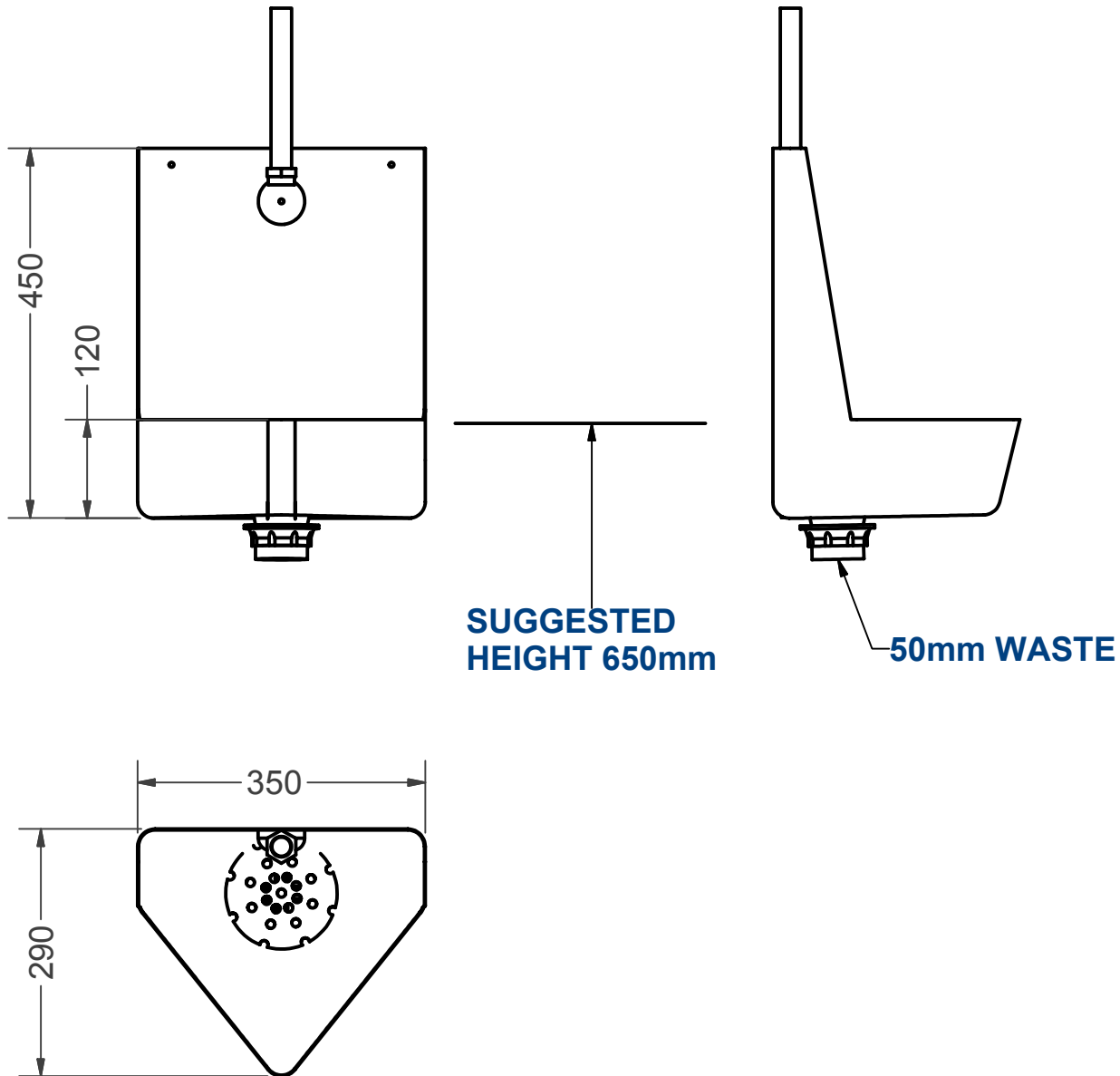
STAINLESS METAL CRAFT

6 BROMLEY ROAD EMU PLAINS 2750
PHONE: (02) 4735 5666 FAX: (02) 4735 7950
E-MAIL info@smcstainless.com.au
www.smcstainless.com.au

THE STAINLESS STEEL PEOPLE

(SINCE 1962)

MATERIAL - GRADE 304 STAINLESS STEEL



**SPECIFICATIONS -
STAINLESS STEEL WALL HUNG URINAL
SHALL BE MODEL WH-1 FROM
STAINLESS METAL CRAFT
PHONE: 02 4735 5666**

**DATA
SHEET**

ITEM: WALL HUNG URINAL

CODE: WH-1

DATE:

OCTOBER - 2003

REV:

C

PAGE No:

54