

STAINLESS METAL CRAFT

6 BROMLEY ROAD EMU PLAINS 2750
PHONE: (02) 4735 5666 FAX: (02) 4735 7950
E-MAIL info@smcstainless.com.au
www.smcstainless.com.au

THE STAINLESS STEEL PEOPLE

(SINCE 1962)

MATERIAL - GRADE 304 STAINLESS STEEL

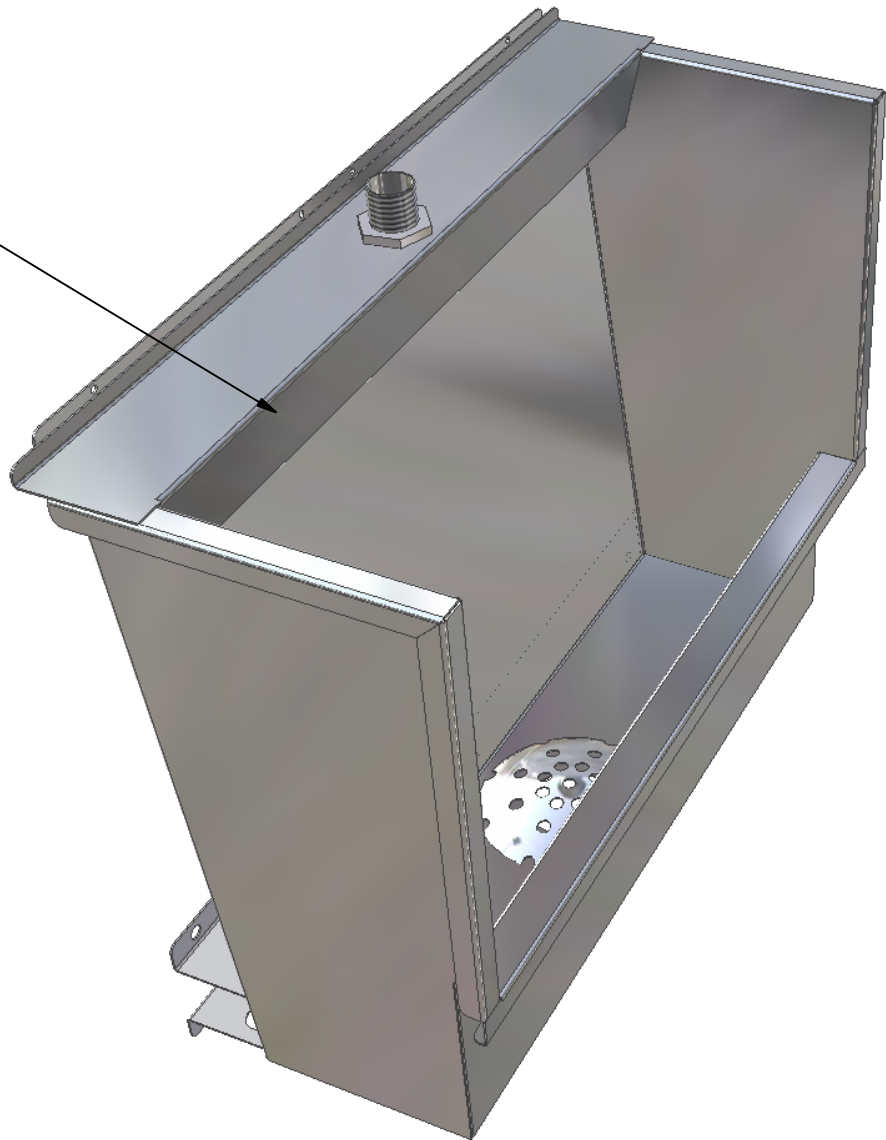
WALL HUNG URINAL

"CASCADE"
FLUSH CHAMBER
IS INTEGRAL
WITH URINAL

- SUITABLE FOR
ALL FLUSHING
DEVICES INCLUDING
SENSOR OPERATED

OPTIONS

- * EXPOSED OR CONCEALED WATER ENTRY
- * END PANELS FOR EXPOSED ENDS



* TYPICAL USE -
-- MALE TOILET

* PORTABLE BUILDINGS

**DATA
SHEET**

ITEM: WALL HUNG URINAL (PORTABLE BUILDINGS)

CODE: WH-2-PB

DATE:

OCTOBER - 2003

REV:

C

PAGE No:

55

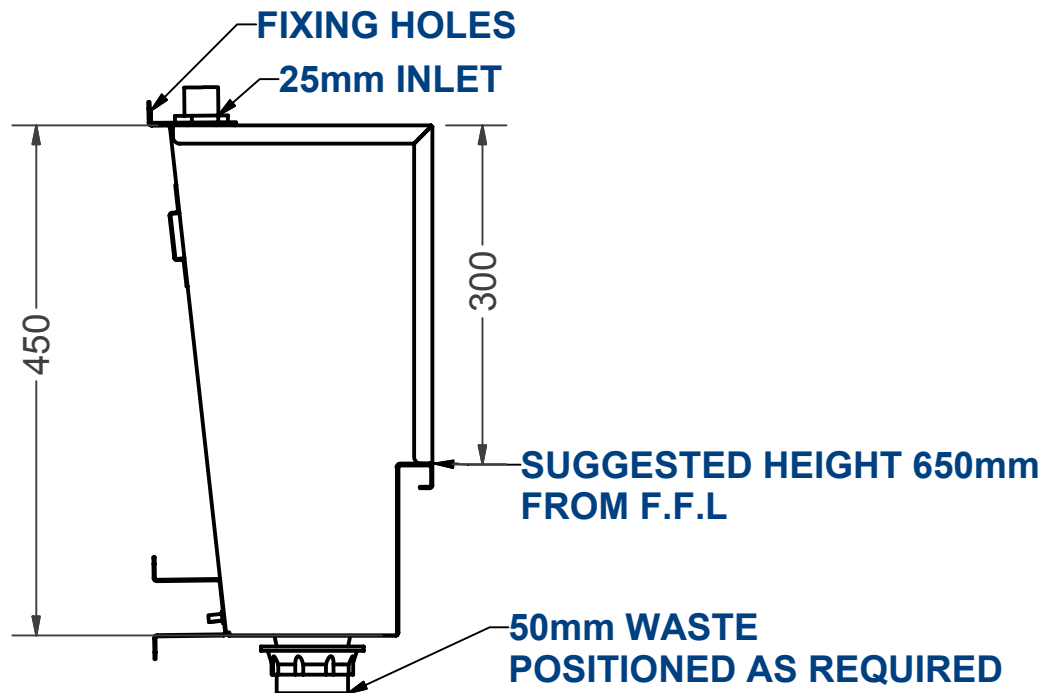
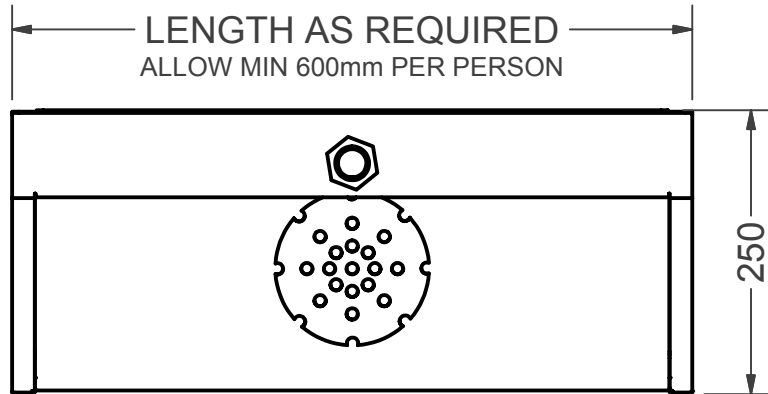
STAINLESS METAL CRAFT

6 BROMLEY ROAD EMU PLAINS 2750
PHONE: (02) 4735 5666 FAX: (02) 4735 7950
E-MAIL info@smcstainless.com.au
www.smcstainless.com.au

THE STAINLESS STEEL PEOPLE

(SINCE 1962)

MATERIAL - GRADE 304 STAINLESS STEEL



SPECIFICATIONS -
STAINLESS STEEL WALL HUNG URINAL
SHALL BE MODEL WH-2-PB FROM
STAINLESS METAL CRAFT
PHONE: 02 4735 5666

**DATA
SHEET**

ITEM: WALL HUNG URINAL (PORTABLE BUILDINGS)

CODE: WH-2-PB

DATE:

OCTOBER - 2003

REV:

C

PAGE No:

55