

STAINLESS METAL CRAFT

6 BROMLEY ROAD EMU PLAINS 2750
PHONE: (02) 4735 5666 FAX: (02) 4735 7950
E-MAIL info@smcstainless.com.au
www.smcstainless.com.au

THE STAINLESS STEEL PEOPLE

(SINCE 1962)

MATERIAL - GRADE 304 STAINLESS STEEL

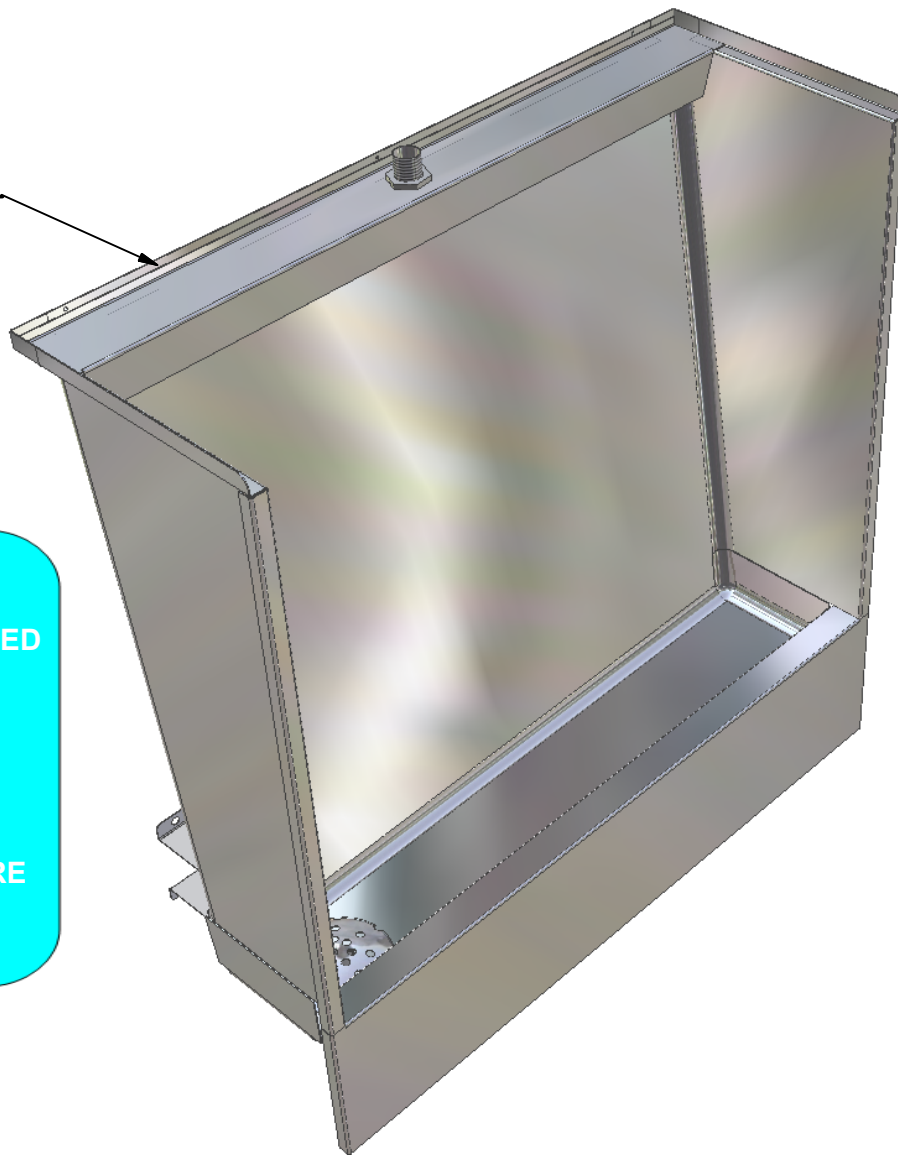
WALL HUNG URINAL

"CASCADE"
FLUSH CHAMBER
IS INTEGRAL
WITH URINAL

- SUITABLE FOR
ALL FLUSHING
DEVICES INCLUDING
SENSOR OPERATED

OPTIONS

- * EXPOSED OR CONCEALED WATER ENTRY
- * END PANELS FOR EXPOSED ENDS
- * JOINING STRIP CAN BE SUPPLIED TO JOIN MORE THAN ONE URINAL TOGETHER



* TYPICAL USE
-- MALE TOILETS - FACTORY , COUNCIL AMENITIES

**DATA
SHEET**

ITEM: WALL HUNG CASCADE URINAL

CODE: WH-3

DATE:

OCTOBER - 2003

REV:

C

PAGE No:

56

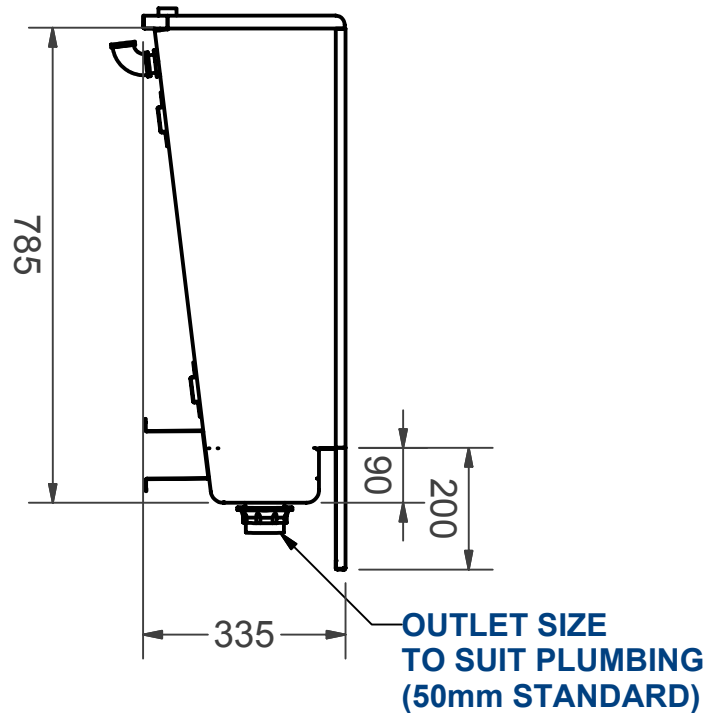
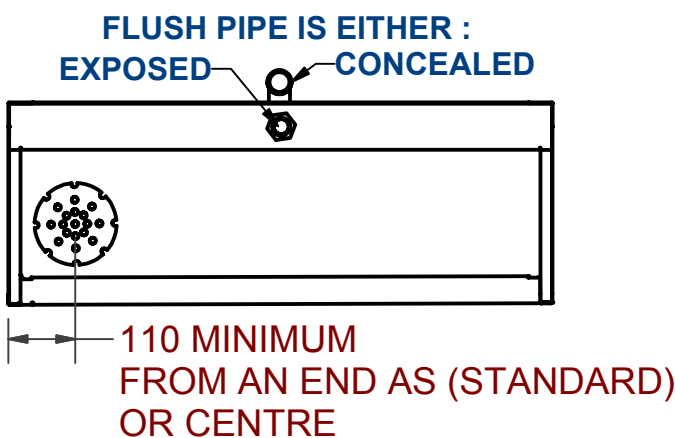
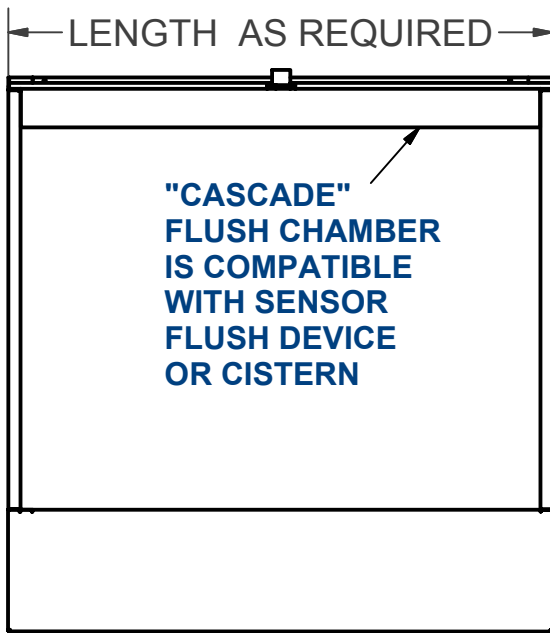
STAINLESS METAL CRAFT

6 BROMLEY ROAD EMU PLAINS 2750
 PHONE: (02) 4735 5666 FAX: (02) 4735 7950
 E-MAIL info@smcstainless.com.au
www.smcstainless.com.au

THE STAINLESS STEEL PEOPLE

(SINCE 1962)

MATERIAL - GRADE 304 STAINLESS STEEL



**SPECIFICATIONS -
 STAINLESS STEEL WALL HUNG URINAL
 SHALL BE MODEL WH-3 FROM
 STAINLESS METAL CRAFT
 PHONE: 02 4735 5666**

**DATA
 SHEET**

ITEM: WALL HUNG CASCADE URINAL

CODE: WH-3

DATE:

OCTOBER - 2003

REV:

C

PAGE No:

56