

# STAINLESS METAL CRAFT

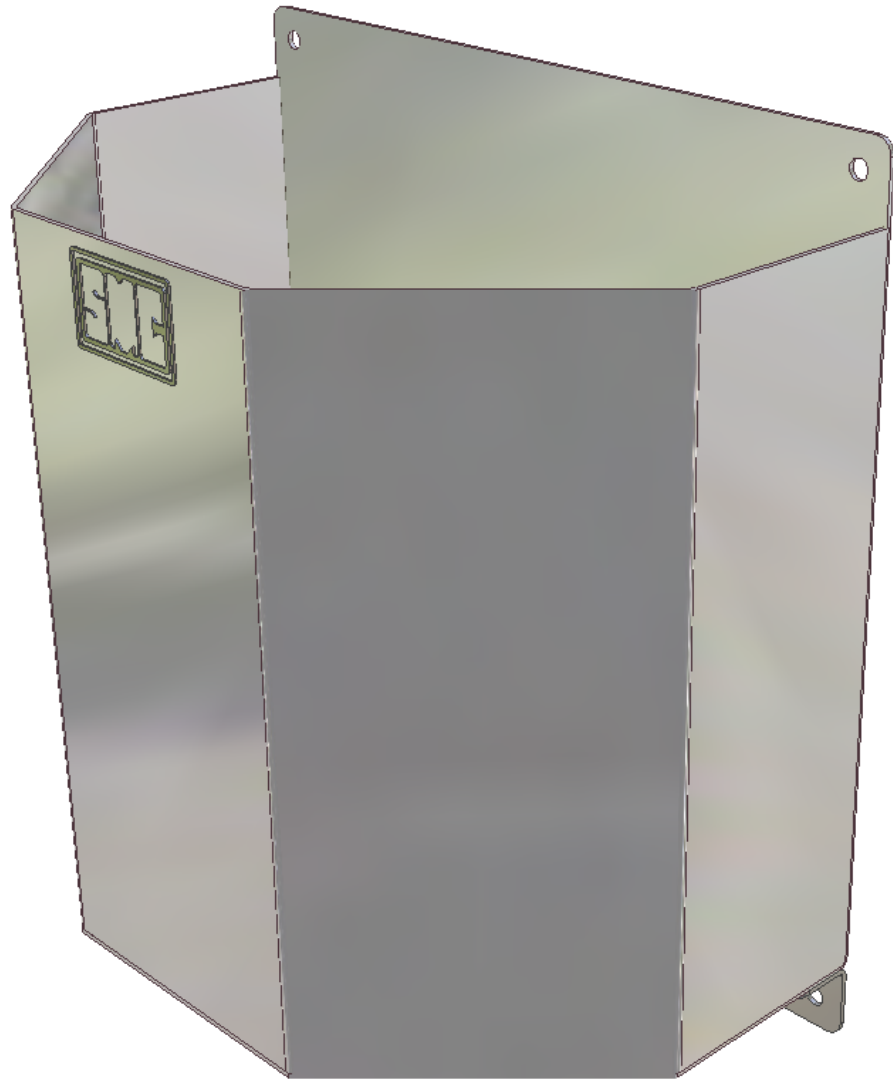
6 BROMLEY ROAD EMU PLAINS 2750  
PHONE: (02) 4735 5666 FAX: (02) 4735 7950  
E-MAIL [info@smcstainless.com.au](mailto:info@smcstainless.com.au)  
[www.smcstainless.com.au](http://www.smcstainless.com.au)

THE STAINLESS STEEL PEOPLE

(SINCE 1962)

MATERIAL - GRADE 304 STAINLESS STEEL

## WALL MOUNTED TUNDISH



### OPTIONS

\* MARINE GRADE 316

### \* TYPICAL USE :

-- WALL MOUNTED DISCHARGE COLLECTION POINT FOR CONDENSATE / WATER FROM:  
COOLROOMS / AIR CONDITIONING / HOT WATER UNITS / WASHING MACHINES

**DATA  
SHEET**

**ITEM: WALL MOUNTED TUNDISH**

**CODE: WMT-2**

**DATE:**

**FEBRUARY - 2004**

**REV:**

**C**

**PAGE No:**

**152**

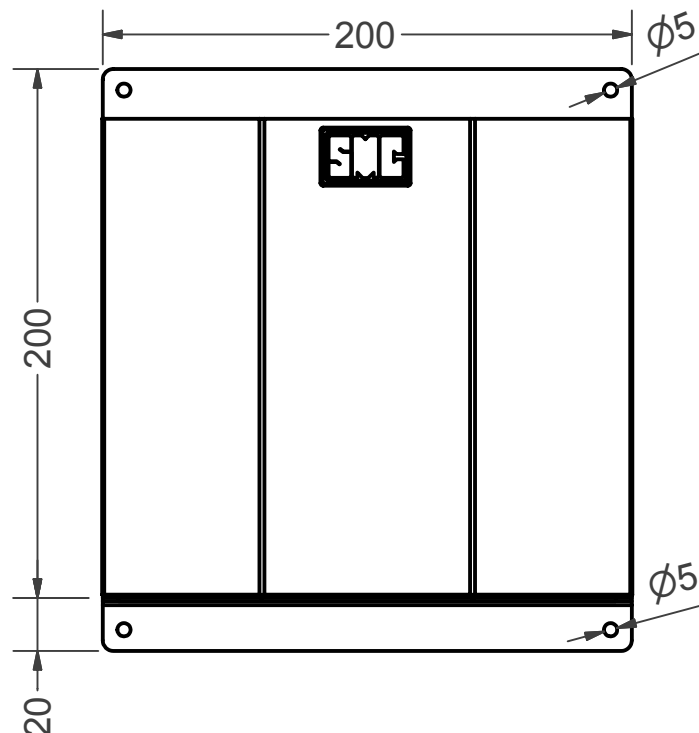
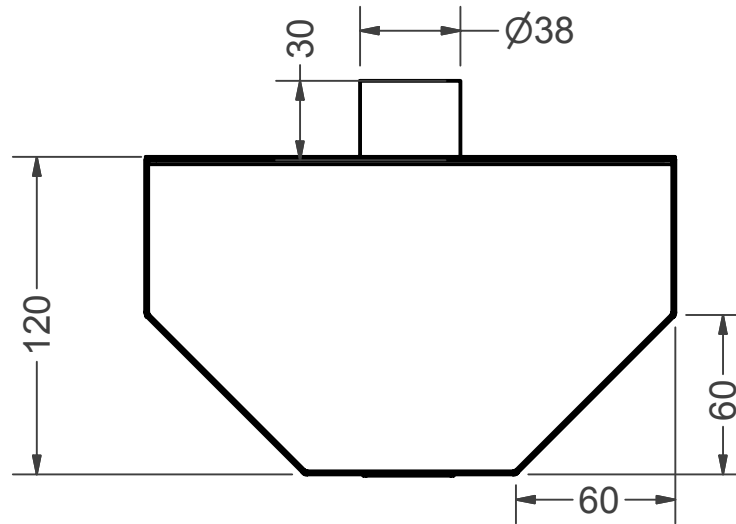
# STAINLESS METAL CRAFT

6 BROMLEY ROAD EMU PLAINS 2750  
PHONE: (02) 4735 5666 FAX: (02) 4735 7950  
E-MAIL [info@smcstainless.com.au](mailto:info@smcstainless.com.au)  
[www.smcstainless.com.au](http://www.smcstainless.com.au)

THE STAINLESS STEEL PEOPLE

(SINCE 1962)

MATERIAL - GRADE 304 STAINLESS STEEL



**SPECIFICATIONS -  
STAINLESS STEEL WALL MOUNTED TUNDISH  
SHALL BE MODEL WMT-2 FROM  
STAINLESS METAL CRAFT  
PHONE: 02 4735 5666**

**DATA  
SHEET**

**ITEM: WALL MOUNTED TUNDISH**

**CODE: WMT-2**

**DATE:**

**FEBRUARY - 2004**

**REV:**

**C**

**PAGE No:**

**152**