

STAINLESS METAL CRAFT

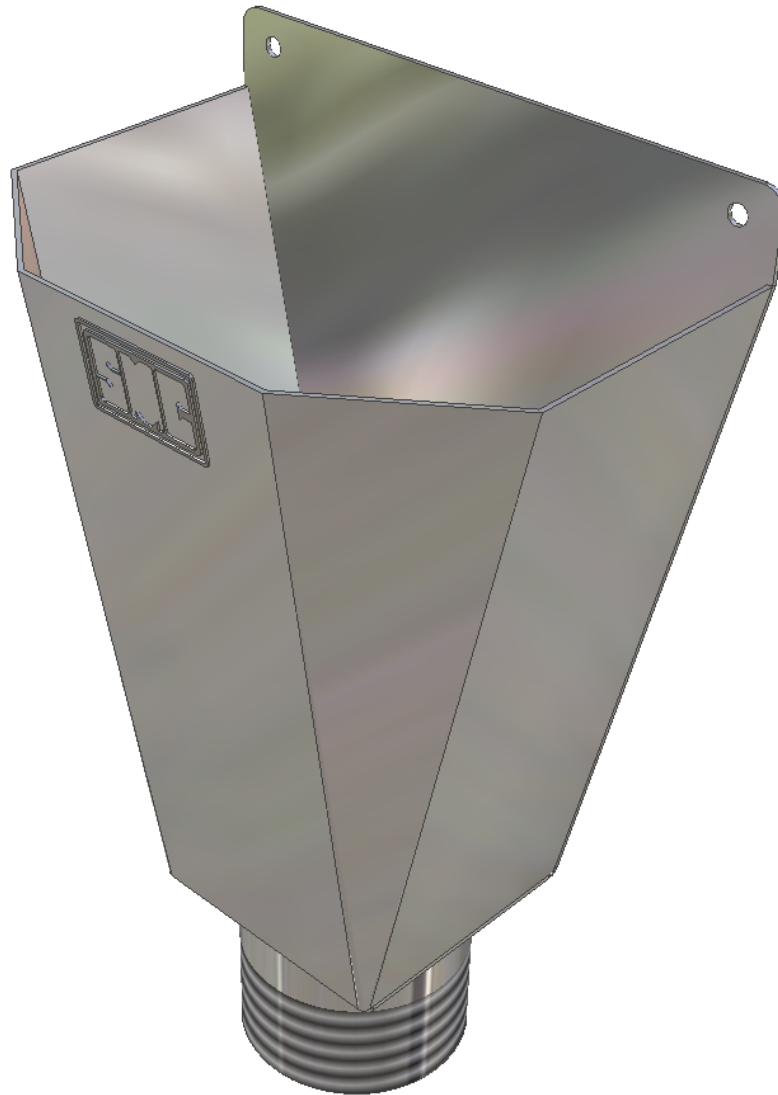
6 BROMLEY ROAD EMU PLAINS 2750
PHONE: (02) 4735 5666 FAX: (02) 4735 7950
E-MAIL info@smcstainless.com.au
www.smcstainless.com.au

THE STAINLESS STEEL PEOPLE

(SINCE 1962)

MATERIAL - GRADE 304 STAINLESS STEEL

WALL MOUNTED TUNDISH



OPTIONS

* MARINE GRADE 316

* TYPICAL USE :

-- WALL MOUNTED DISCHARGE COLLECTION POINT FOR CONDENSATE / WATER FROM:
COOLROOMS / AIR CONDITIONING / HOT WATER UNITS / WASHING MACHINES

**DATA
SHEET**

ITEM: WALL MOUNTED TUNDISH

CODE: WMT-4

DATE:

FEBRUARY - 2004

REV:

C

PAGE No:

154

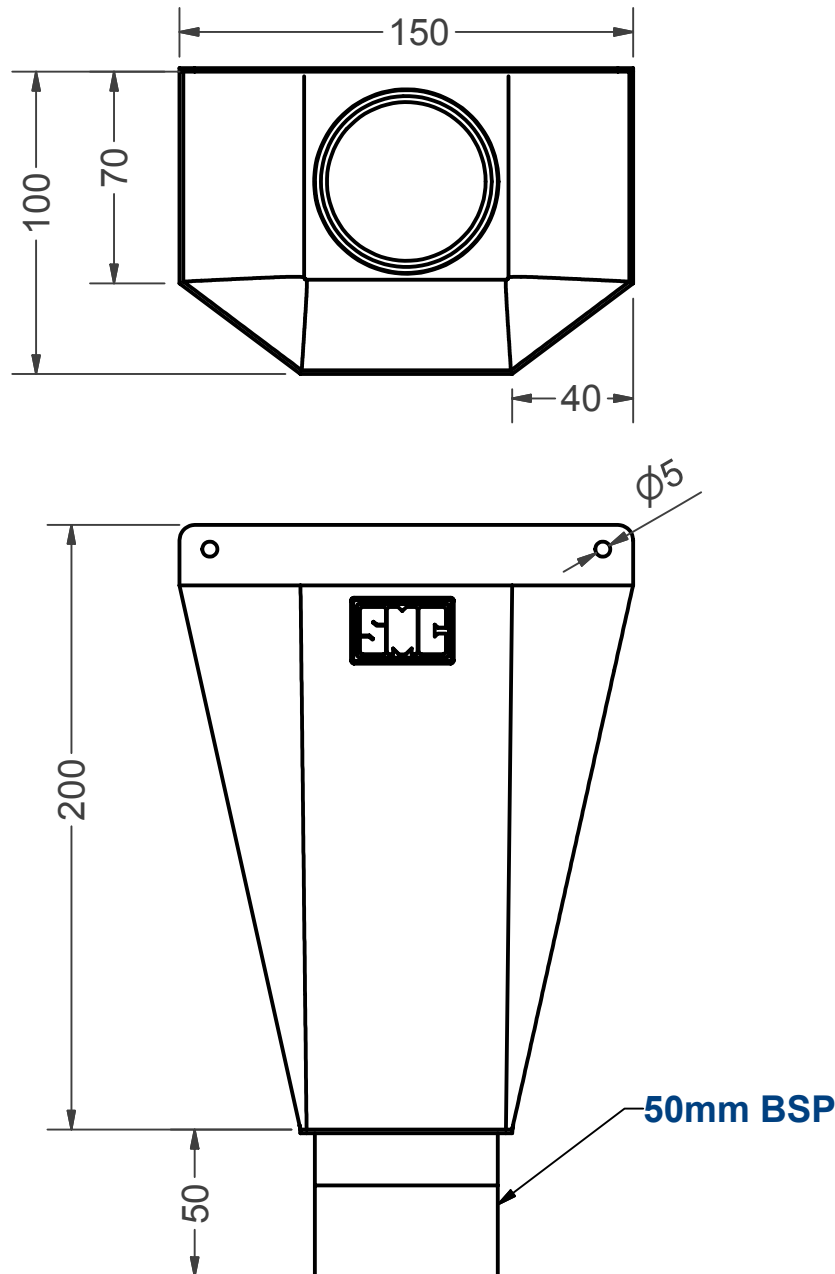
STAINLESS METAL CRAFT

6 BROMLEY ROAD EMU PLAINS 2750
PHONE: (02) 4735 5666 FAX: (02) 4735 7950
E-MAIL info@smcstainless.com.au
www.smcstainless.com.au

THE STAINLESS STEEL PEOPLE

(SINCE 1962)

MATERIAL - GRADE 304 STAINLESS STEEL



**SPECIFICATIONS -
STAINLESS STEEL WALL MOUNTED TUNDISH
SHALL BE MODEL WMT-4 FROM
STAINLESS METAL CRAFT
PHONE: 02 4735 5666**

**DATA
SHEET**

ITEM: WALL MOUNTED TUNDISH

CODE: WMT-4

DATE:	FEBRUARY - 2004
REV:	C
PAGE No:	154