

# STAINLESS METAL CRAFT

6 BROMLEY ROAD EMU PLAINS 2750  
PHONE: (02) 4735 5666 FAX: (02) 4735 7950  
E-MAIL [info@smcstainless.com.au](mailto:info@smcstainless.com.au)  
[www.smcstainless.com.au](http://www.smcstainless.com.au)

THE STAINLESS STEEL PEOPLE

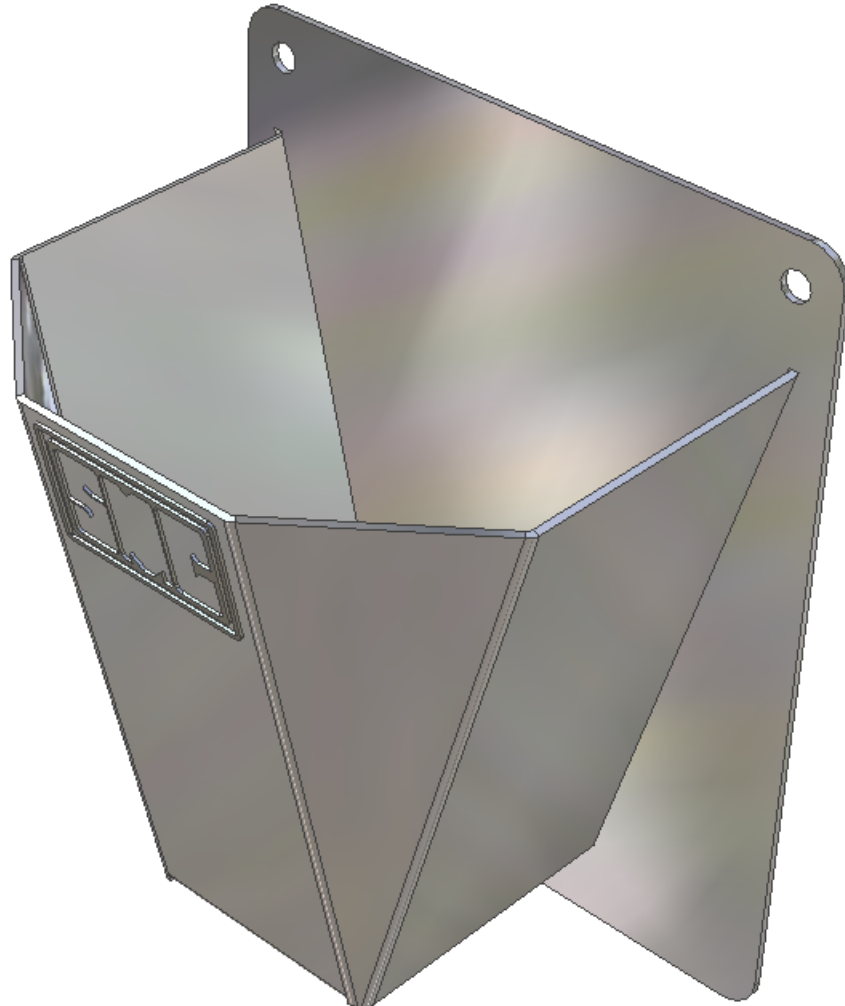
(SINCE 1962)

MATERIAL - GRADE 304 STAINLESS STEEL

## WALL MOUNTED TUNDISH

### OPTIONS

\* MARINE GRADE 316



### \* TYPICAL USE :

-- WALL MOUNTED DISCHARGE COLLECTION POINT FOR CONDENSATE / WATER FROM:  
COOLROOMS / AIR CONDITIONING / HOT WATER UNITS / WASHING MACHINES

**DATA  
SHEET**

**ITEM: WALL MOUNTED TUNDISH**

**CODE: WMT-5-ICP**

**DATE:**

**FEBRUARY - 2004**

**REV:**

**C**

**PAGE No:**

**157**

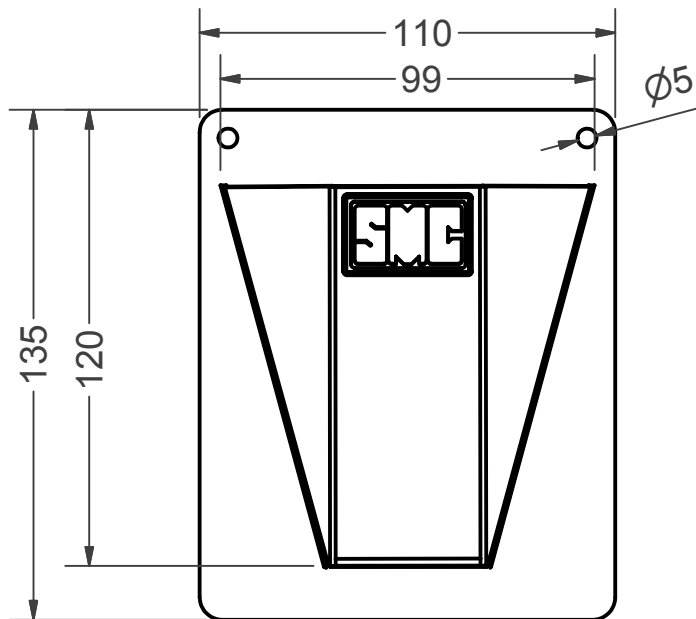
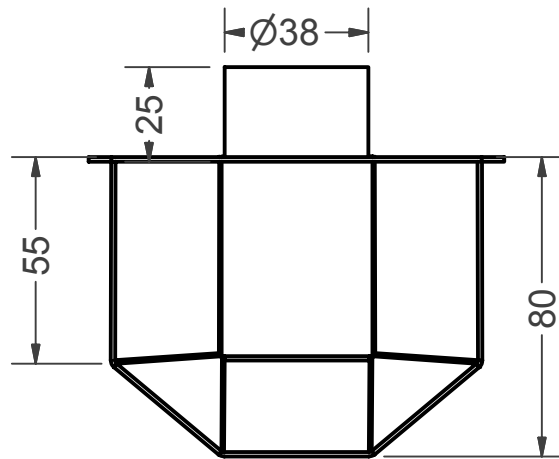
# STAINLESS METAL CRAFT

6 BROMLEY ROAD EMU PLAINS 2750  
PHONE: (02) 4735 5666 FAX: (02) 4735 7950  
E-MAIL [info@smcstainless.com.au](mailto:info@smcstainless.com.au)  
[www.smcstainless.com.au](http://www.smcstainless.com.au)

THE STAINLESS STEEL PEOPLE

(SINCE 1962)

MATERIAL - GRADE 304 STAINLESS STEEL



**SPECIFICATIONS -**  
**STAINLESS STEEL WALL MOUNTED TUNDISH**  
**SHALL BE MODEL WMT-5-ICP FROM**  
**STAINLESS METAL CRAFT**  
**PHONE: 02 4735 5666**

**DATA  
SHEET**

**ITEM: WALL MOUNTED TUNDISH**

**CODE: WMT-5-ICP**

<b>DATE:</b>	<b>FEBRUARY - 2004</b>
<b>REV:</b>	<b>C</b>
<b>PAGE No:</b>	<b>157</b>