

STAINLESS METAL CRAFT

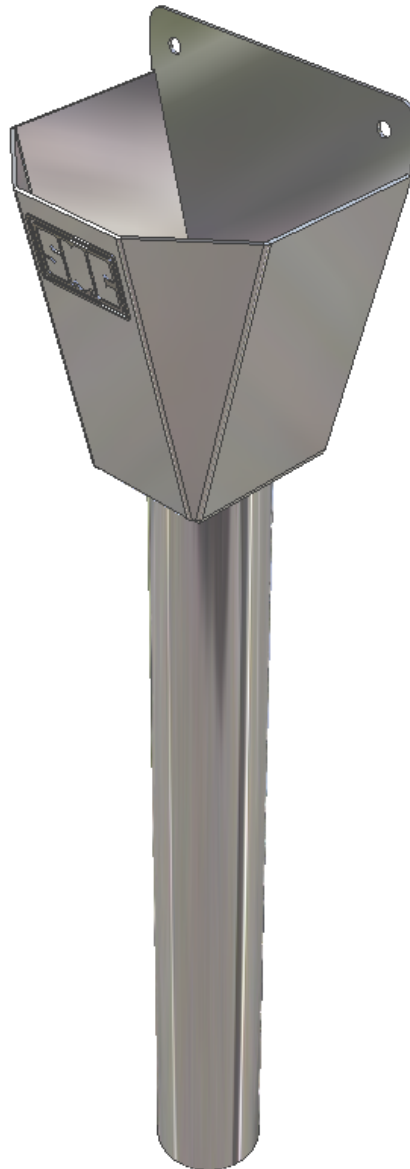
6 BROMLEY ROAD EMU PLAINS 2750
PHONE: (02) 4735 5666 FAX: (02) 4735 7950
E-MAIL info@smcstainless.com.au
www.smcstainless.com.au

THE STAINLESS STEEL PEOPLE

(SINCE 1962)

MATERIAL - GRADE 304 STAINLESS STEEL

WALL MOUNTED TUNDISH



OPTIONS

- * MARINE GRADE 316
- * 100mm TAIL CODE:
WMT-6-ICP-S

* TYPICAL USE :

-- WALL MOUNTED DISCHARGE COLLECTION POINT FOR CONDENSATE / WATER FROM:
COOLROOMS / AIR CONDITIONING / HOT WATER UNITS / WASHING MACHINES

**DATA
SHEET**

ITEM: WALL MOUNTED TUNDISH

CODE: WMT-6-ICP

DATE:

FEBRUARY - 2004

REV:

C

PAGE No:

158

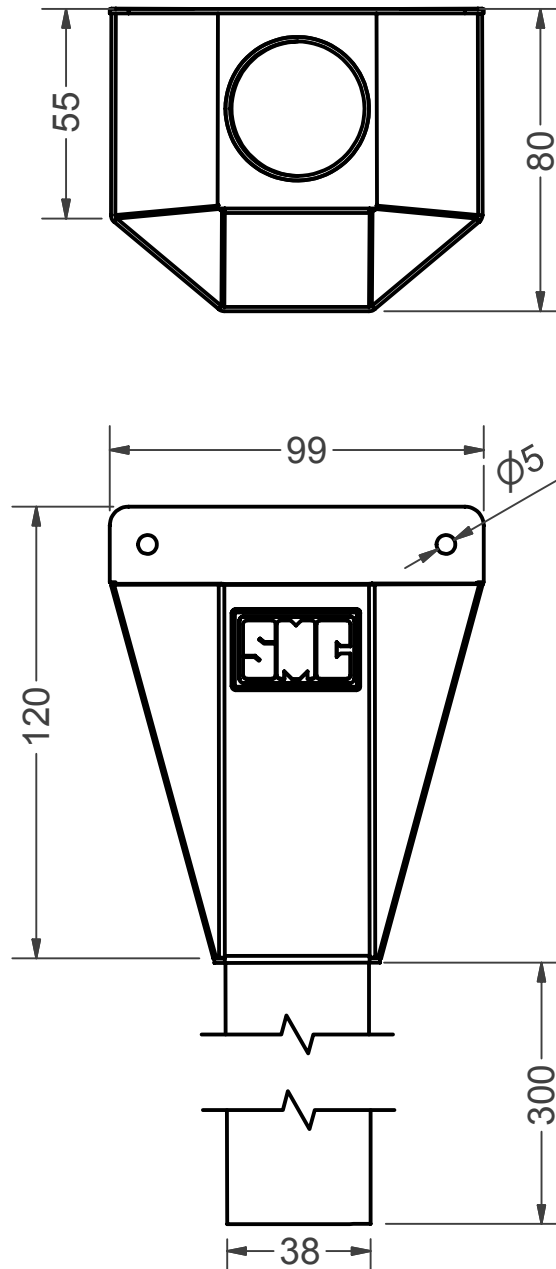
STAINLESS METAL CRAFT

6 BROMLEY ROAD EMU PLAINS 2750
PHONE: (02) 4735 5666 FAX: (02) 4735 7950
E-MAIL info@smcstainless.com.au
www.smcstainless.com.au

THE STAINLESS STEEL PEOPLE

(SINCE 1962)

MATERIAL - GRADE 304 STAINLESS STEEL



**SPECIFICATIONS -
STAINLESS STEEL WALL MOUNTED TUNDISH
SHALL BE MODEL WMT-6-ICP FROM
STAINLESS METAL CRAFT
PHONE: 02 4735 5666**

**DATA
SHEET**

ITEM: WALL MOUNTED TUNDISH

CODE: WMT-6-ICP

DATE:

FEBRUARY - 2004

REV:

C

PAGE No:

158