

STAINLESS METAL CRAFT

6 BROMLEY ROAD EMU PLAINS 2750
PHONE: (02) 4735 5666 FAX: (02) 4735 7950
E-MAIL info@smcstainless.com.au
www.smcstainless.com.au

THE STAINLESS STEEL PEOPLE

(SINCE 1962)

MATERIAL - GRADE 304 STAINLESS STEEL

WASH STATION

OPTIONS

- * PRE PLUMBED BY SMC WITH YOUR CHOICE OF HANDS FREE TAPWARE
- * END OR CENTRE OUTLET
- * SPLASHBACK HEIGHT
- * FREESTANDING FRAME
- * UNIVERSAL STAINLESS STEEL TRAPS



* TYPICAL USE

- HANDS FREE - KNEE OPERATED WASH TROUGH
- TAPS , KNEE WAND AND VALVE FITTED BY 'SMC'

* INDUSTRY - ESPECIALLY FOOD MANUFACTURE & PROCESSING

DATA SHEET

ITEM: WASH STATION

CODE: WS-1

DATE:

MARCH - 2003

REV:

C

PAGE No:

75

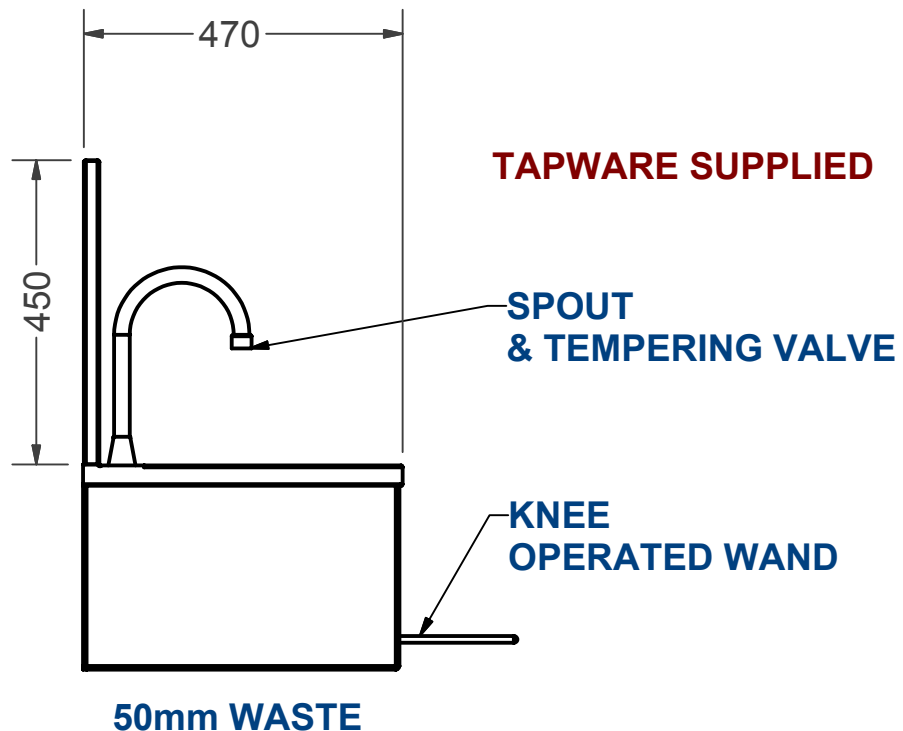
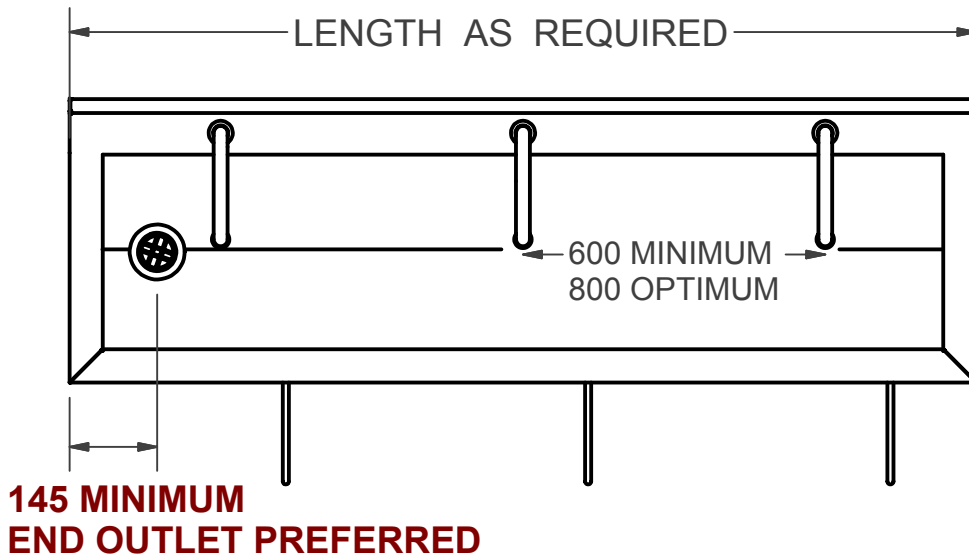
STAINLESS METAL CRAFT

6 BROMLEY ROAD EMU PLAINS 2750
PHONE: (02) 4735 5666 FAX: (02) 4735 7950
E-MAIL info@smcstainless.com.au
www.smcstainless.com.au

THE STAINLESS STEEL PEOPLE

(SINCE 1962)

MATERIAL - GRADE 304 STAINLESS STEEL



**SPECIFICATIONS -
STAINLESS STEEL WASH STATION
SHALL BE MODEL WS-1 FROM
STAINLESS METAL CRAFT
PHONE: 02 4735 5666**

**DATA
SHEET**

ITEM: WASH STATION

CODE: WS-1

DATE:

MARCH - 2003

REV:

C

PAGE No:

75