

# STAINLESS METAL CRAFT

6 BROMLEY ROAD EMU PLAINS 2750  
PHONE: (02) 4735 5666 FAX: (02) 4735 7950  
E-MAIL [info@smcstainless.com.au](mailto:info@smcstainless.com.au)  
[www.smcstainless.com.au](http://www.smcstainless.com.au)

THE STAINLESS STEEL PEOPLE

(SINCE 1962)

MATERIAL - GRADE 304 STAINLESS STEEL

## BASKET WASTE



SYDNEY WATER  
AUTHORISATION  
NUMBER: 2005-348 C

- \* TYPICAL USE -
- \* COLLECTION OF FOOD WASTE IN SINKS
- \* IS FITTED INSTEAD OF PLUG & WASTE
- \* FOOD PREPARATION AREAS

**DATA  
SHEET**

**ITEM: BASKET WASTE - SINK MODEL**

**CODE: WSCK-1-BV**

**DATE:**

**MARCH - 2007**

**REV:**

**B**

**PAGE No:**

**44**

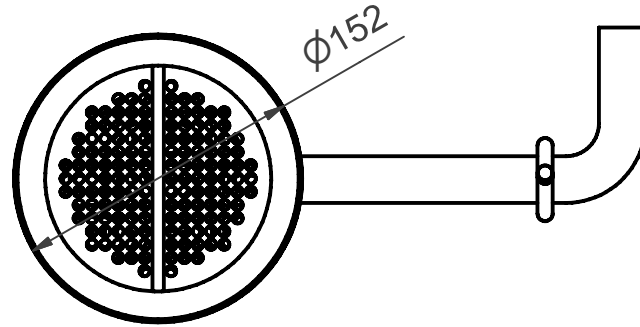
# STAINLESS METAL CRAFT

6 BROMLEY ROAD EMU PLAINS 2750  
 PHONE: (02) 4735 5666 FAX: (02) 4735 7950  
 E-MAIL [info@smcstainless.com.au](mailto:info@smcstainless.com.au)  
[www.smcstainless.com.au](http://www.smcstainless.com.au)

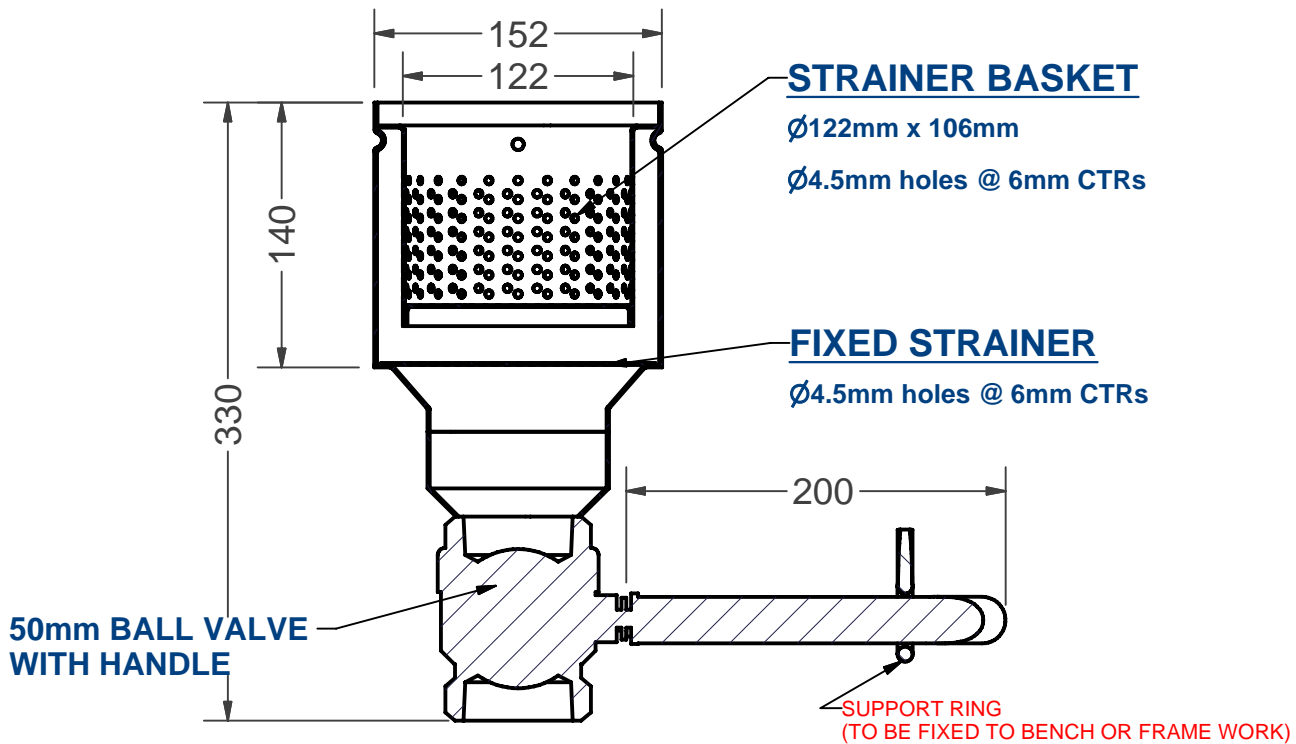
THE STAINLESS STEEL PEOPLE

(SINCE 1962)

MATERIAL - GRADE 304 STAINLESS STEEL



WHEN USING EXTENDED HANDLE  
 ON BALL VALVE, THE FRONT OF HANDLE MUST BE  
 SUPPORTED BY THE BENCH-TOP OR FRAMEWORK  
 (SEE DETAIL; ON WSCK-1 DATA SHEET)



**SPECIFICATIONS -  
 STAINLESS STEEL BASKET WASTE - SINK MODEL  
 SHALL BE MODEL WSCK-1-BV FROM  
 STAINLESS METAL CRAFT  
 PHONE: 02 4735 5666**

**DATA SHEET**

**ITEM: BASKET WASTE - SINK MODEL**

**CODE: WSCK-1-BV**

DATE:

MARCH - 2007

REV:

B

PAGE No:

44