

STAINLESS METAL CRAFT

6 BROMLEY ROAD EMU PLAINS 2750
PHONE: (02) 4735 5666 FAX: (02) 4735 7950
E-MAIL info@smcstainless.com.au
www.smcstainless.com.au

THE STAINLESS STEEL PEOPLE

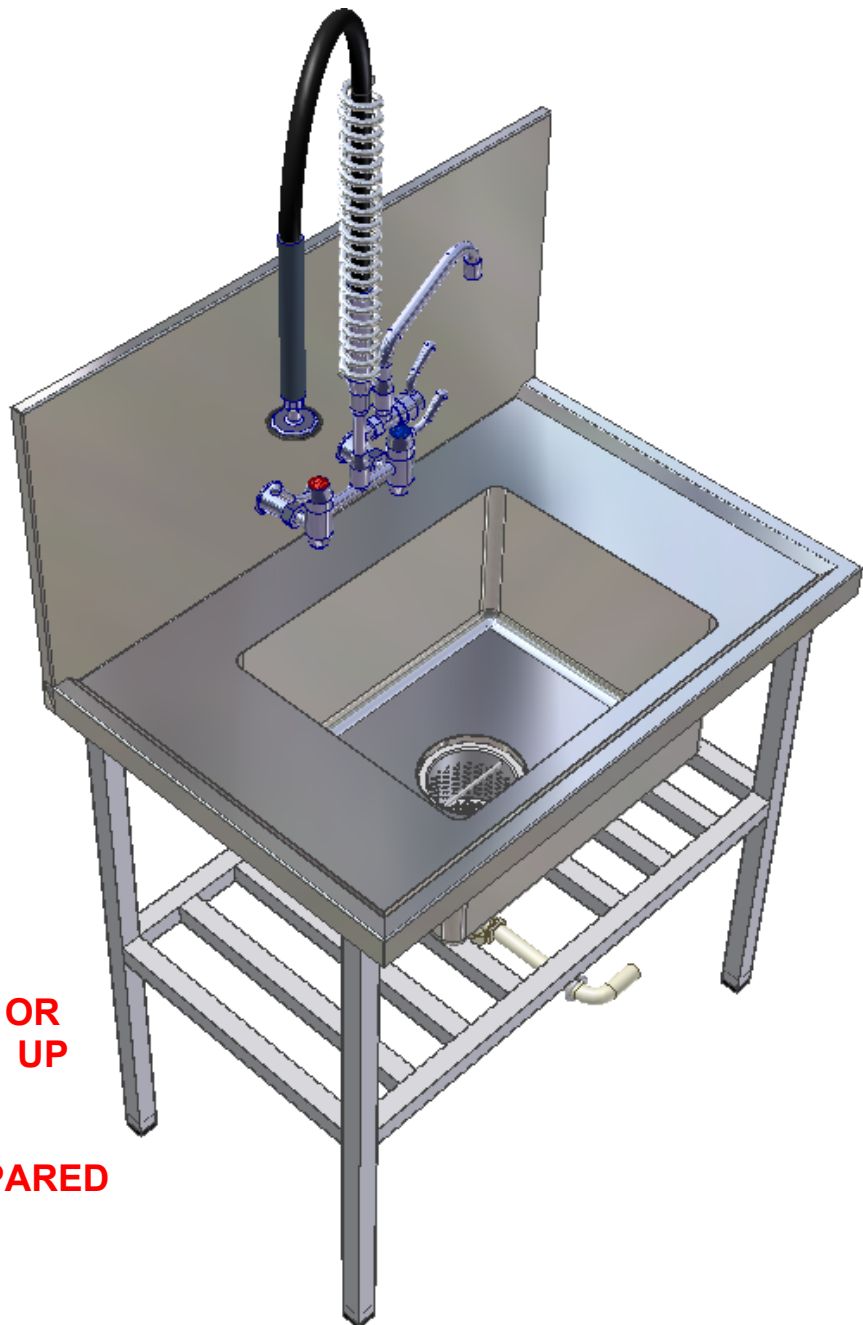
(SINCE 1962)

MATERIAL - GRADE 304 STAINLESS STEEL

COMMERCIAL KITCHEN WASH STATION

OPTIONS

- * TAP SET WITH PRE-RINSE SPRAY
- * CUTOM MADE LENGTHS TO SUIT
- * OTHER SIZE BOWLS TO SUIT



- * TYPICAL USE
 - FOOD PREPARATION OR SOILED COOKWARE WASH UP
 - LARGE CAPACITY BOWL

- * ANYWHERE FOOD IS PREPARED
 - RESTAURANTS
 - HOTELS / CLUBS
 - HOSPITALS

**DATA
SHEET**

ITEM: COMMERCIAL KITCHEN WASH STATION

CODE: WSCK-1

DATE:

MAY - 2003

REV:

C

PAGE No:

107

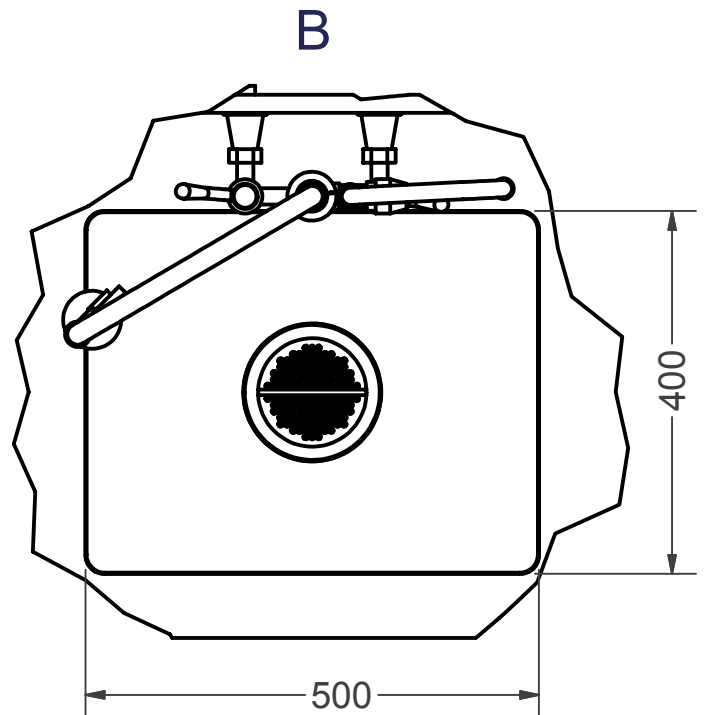
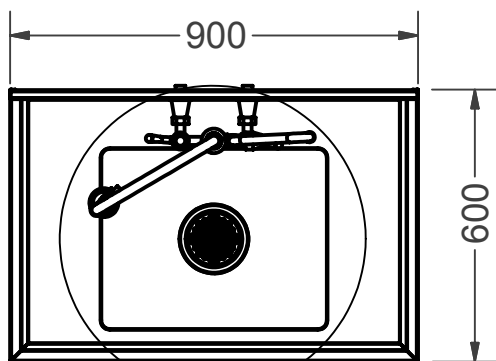
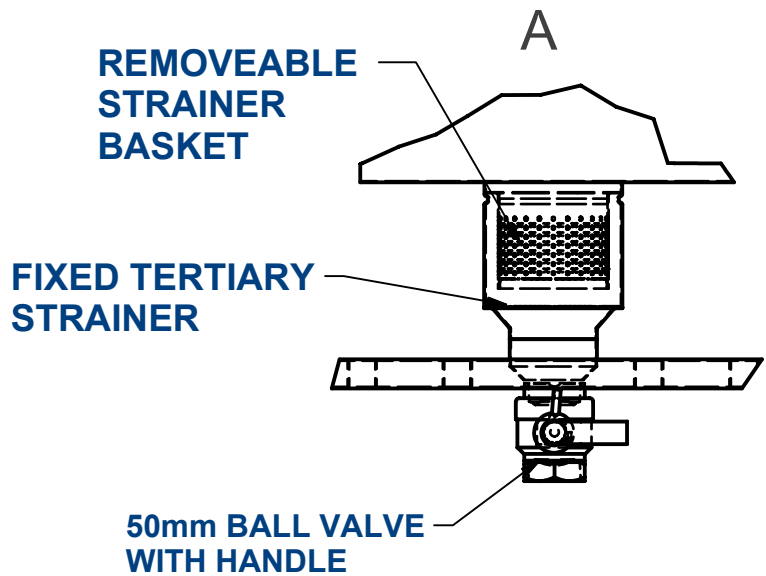
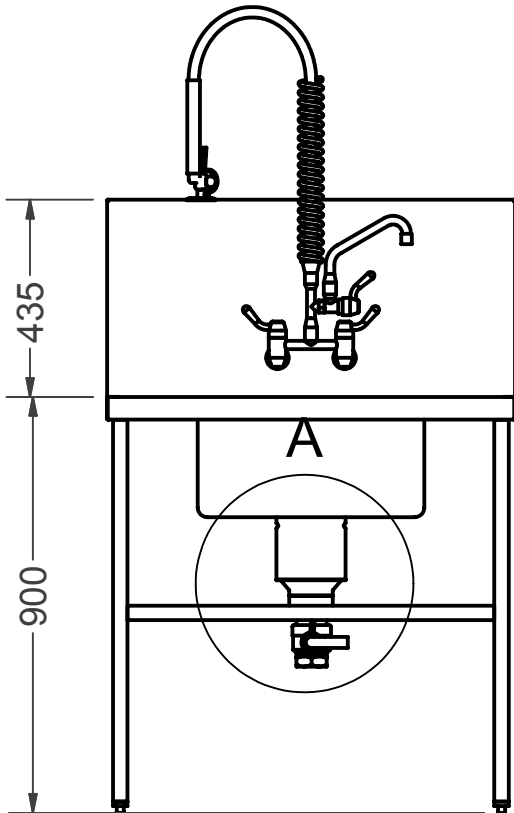
STAINLESS METAL CRAFT

6 BROMLEY ROAD EMU PLAINS 2750
 PHONE: (02) 4735 5666 FAX: (02) 4735 7950
 E-MAIL info@smcstainless.com.au
www.smcstainless.com.au

THE STAINLESS STEEL PEOPLE

(SINCE 1962)

MATERIAL - GRADE 304 STAINLESS STEEL



**SPECIFICATIONS -
 STAINLESS STEEL COMMERCIAL
 KITCHEN WASH STATION
 SHALL BE MODEL WSCK-1 FROM
 STAINLESS METAL CRAFT
 PHONE: 02 4735 5666**

DATA SHEET

ITEM: COMMERCIAL KITCHEN WASH STATION

CODE: WSCK-1

DATE:

MAY - 2003

REV:

C

PAGE No:

107