

STAINLESS METAL CRAFT

6 BROMLEY ROAD EMU PLAINS 2750
PHONE: (02) 4735 5666 FAX: (02) 4735 7950
E-MAIL info@smcstainless.com.au
www.smcstainless.com.au

THE STAINLESS STEEL PEOPLE

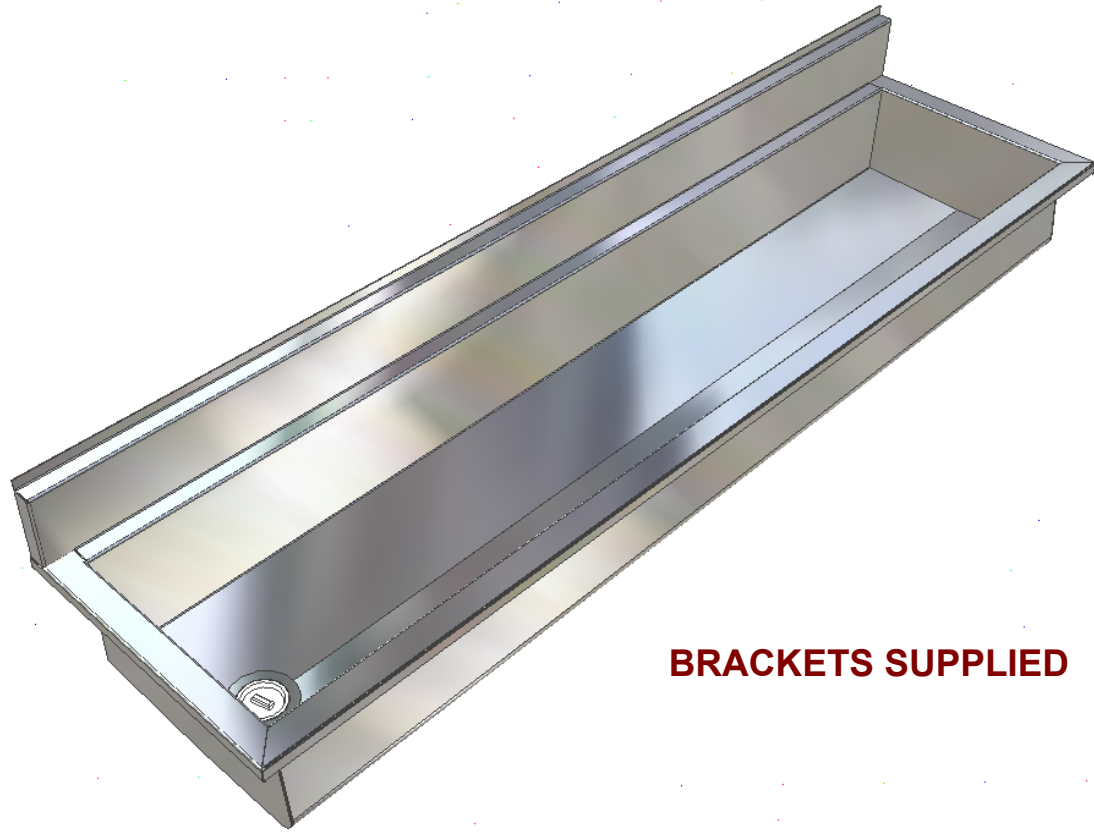
(SINCE 1962)

MATERIAL - GRADE 304 STAINLESS STEEL

NUMBER TWO PATTERN WASH TROUGH

OPTIONS

- * END OR CENTRE OUTLET
- * CHAMFERED OR RADIUS CORNERS FOR SAFETY



BRACKETS SUPPLIED

* TYPICAL USE -

-- EASY MAINTENANCE WASH TROUGH - VANDAL RESISTANT.

* PUBLIC AMENITIES eg COUNCILS , SCHOOLS - ESPECIALLY PRE- SCHOOLS

* INDUSTRY , PORTABLE BUILDINGS - INCLUDING , BUILDING SITE AMENITIES

**DATA
SHEET**

ITEM: WASH TROUGH

CODE: WT-2

DATE:

MARCH - 2003

REV:

C

PAGE No:

69

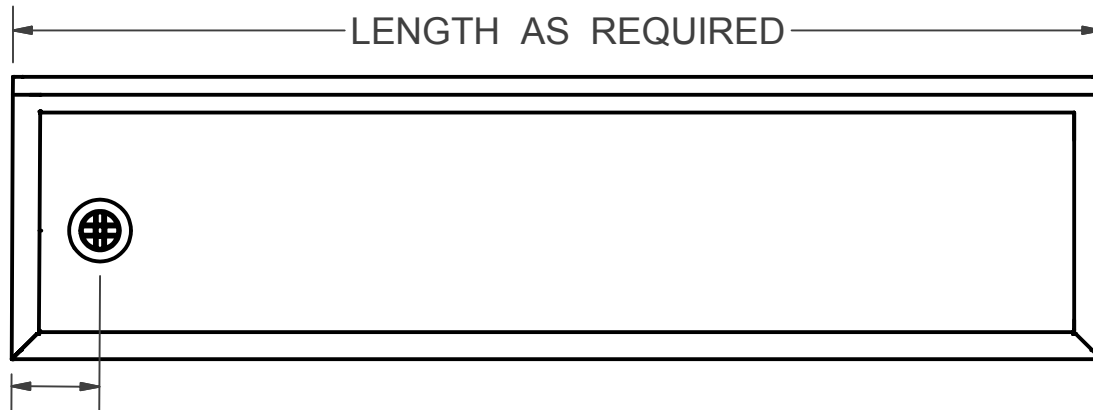
STAINLESS METAL CRAFT

6 BROMLEY ROAD EMU PLAINS 2750
 PHONE: (02) 4735 5666 FAX: (02) 4735 7950
 E-MAIL info@smcstainless.com.au
www.smcstainless.com.au

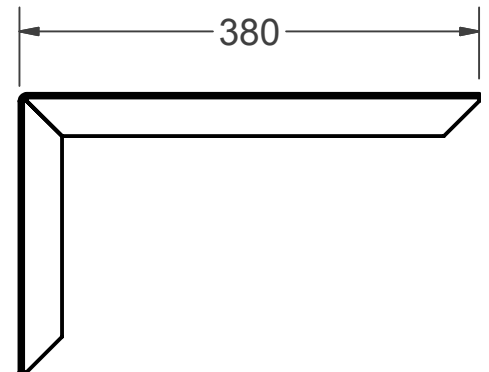
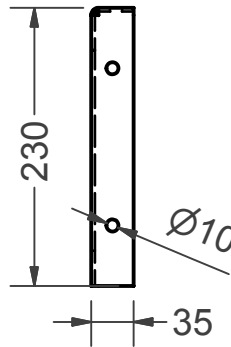
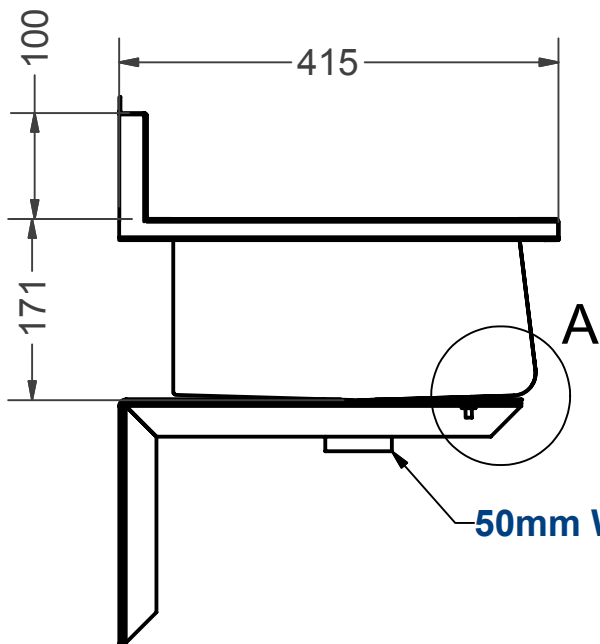
THE STAINLESS STEEL PEOPLE

(SINCE 1962)

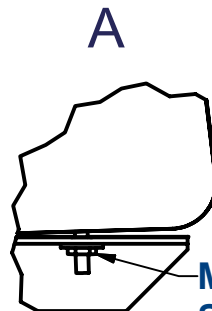
MATERIAL - GRADE 304 STAINLESS STEEL



130 MINIMUM END OUTLET PREFERRED



BRACKETS SUPPLIED
 MAX 1200mm SPACING



M6 x 12mm THREADED
 S/S STUD / NUT & WASHER

**SPECIFICATIONS -
 STAINLESS STEEL WASH TROUGH
 SHALL BE MODEL WT-2 FROM
 STAINLESS METAL CRAFT
 PHONE: 02 4735 5666**

**DATA
 SHEET**

ITEM: WASH TROUGH

CODE: WT-2

DATE:

MARCH - 2003

REV:

C

PAGE No:

69