

# STAINLESS METAL CRAFT

6 BROMLEY ROAD EMU PLAINS 2750  
PHONE: (02) 4735 5666 FAX: (02) 4735 7950  
E-MAIL [info@smcstainless.com.au](mailto:info@smcstainless.com.au)  
[www.smcstainless.com.au](http://www.smcstainless.com.au)

THE STAINLESS STEEL PEOPLE

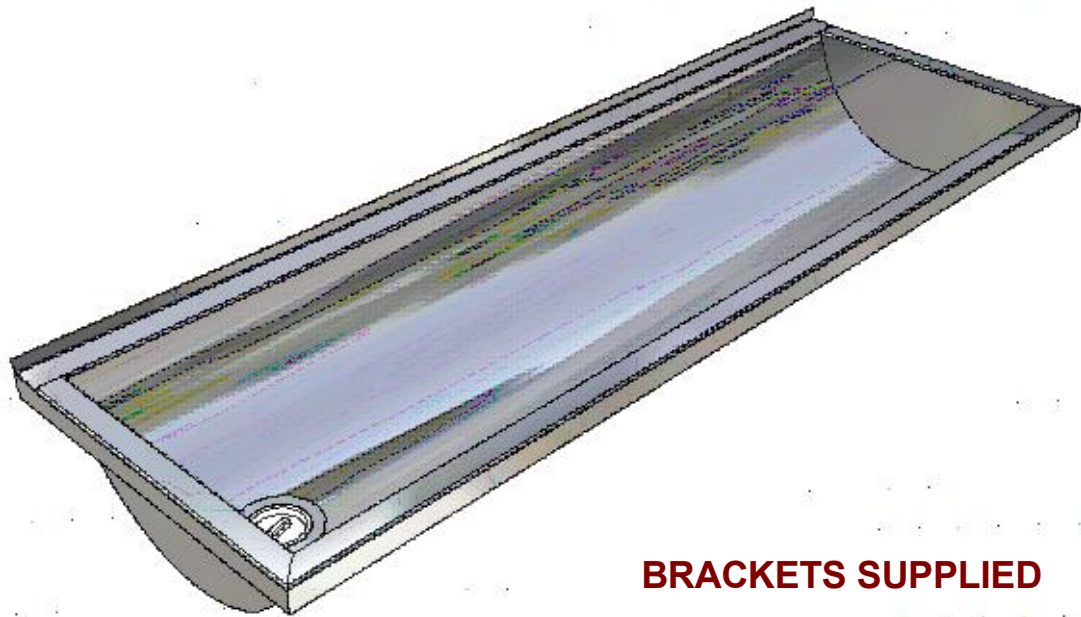
(SINCE 1962)

MATERIAL - GRADE 304 STAINLESS STEEL

## NUMBER THREE PATTERN WASH TROUGH

### OPTIONS

- \* END OR CENTRE OUTLET
- \* VARIABLE HEIGHT SPLASHBACK
- \* CHAMFERED OR RADIUS CORNERS FOR SAFETY



**BRACKETS SUPPLIED**

\* TYPICAL USE -

-- EASY MAINTENANCE WASH TROUGH - VANDAL RESISTANT.

\* PUBLIC AMENITIES eg COUNCILS , SCHOOLS - ESPECIALLY PRE- SCHOOLS

\* INDUSTRY , PORTABLE BUILDINGS - INCLUDING , BUILDING SITE AMENITIES

**DATA  
SHEET**

**ITEM: WASH TROUGH**

**CODE: WT-3**

**DATE:**

**MARCH - 2003**

**REV:**

**C**

**PAGE No:**

**70**

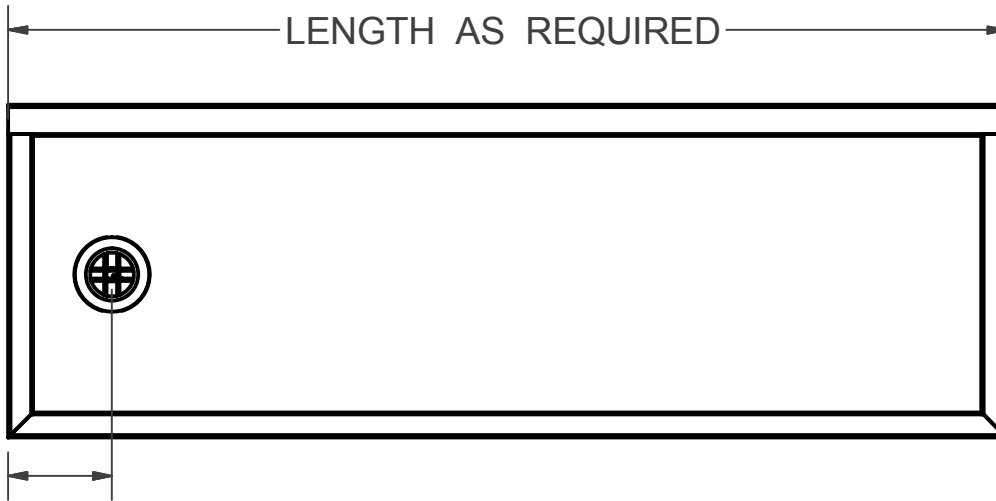
# STAINLESS METAL CRAFT

6 BROMLEY ROAD EMU PLAINS 2750  
PHONE: (02) 4735 5666 FAX: (02) 4735 7950  
E-MAIL [info@smcstainless.com.au](mailto:info@smcstainless.com.au)  
[www.smcstainless.com.au](http://www.smcstainless.com.au)

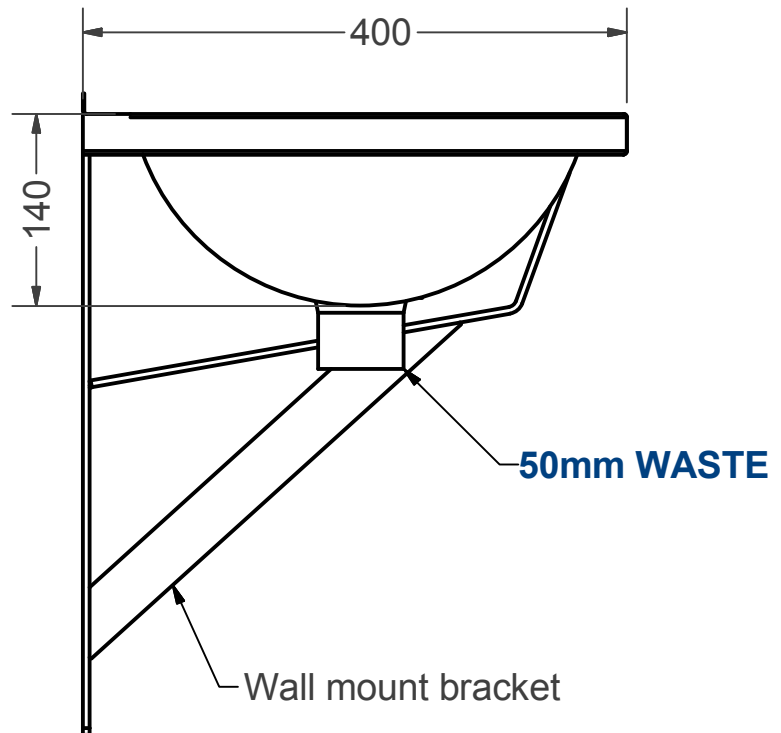
THE STAINLESS STEEL PEOPLE

(SINCE 1962)

MATERIAL - GRADE 304 STAINLESS STEEL



**120 MINIMUM END OUTLET PREFERRED**



**SPECIFICATIONS -  
STAINLESS STEEL WASH TROUGH  
SHALL BE MODEL WT-3 FROM  
STAINLESS METAL CRAFT  
PHONE: 02 4735 5666**

**DATA  
SHEET**

**ITEM: WASH TROUGH**

**CODE: WT-3**

**DATE:**

**MARCH - 2003**

**REV:**

**C**

**PAGE No:**

**70**