

# STAINLESS METAL CRAFT

6 BROMLEY ROAD EMU PLAINS 2750  
PHONE: (02) 4735 5666 FAX: (02) 4735 7950  
E-MAIL [info@smcstainless.com.au](mailto:info@smcstainless.com.au)  
[www.smcstainless.com.au](http://www.smcstainless.com.au)

THE STAINLESS STEEL PEOPLE

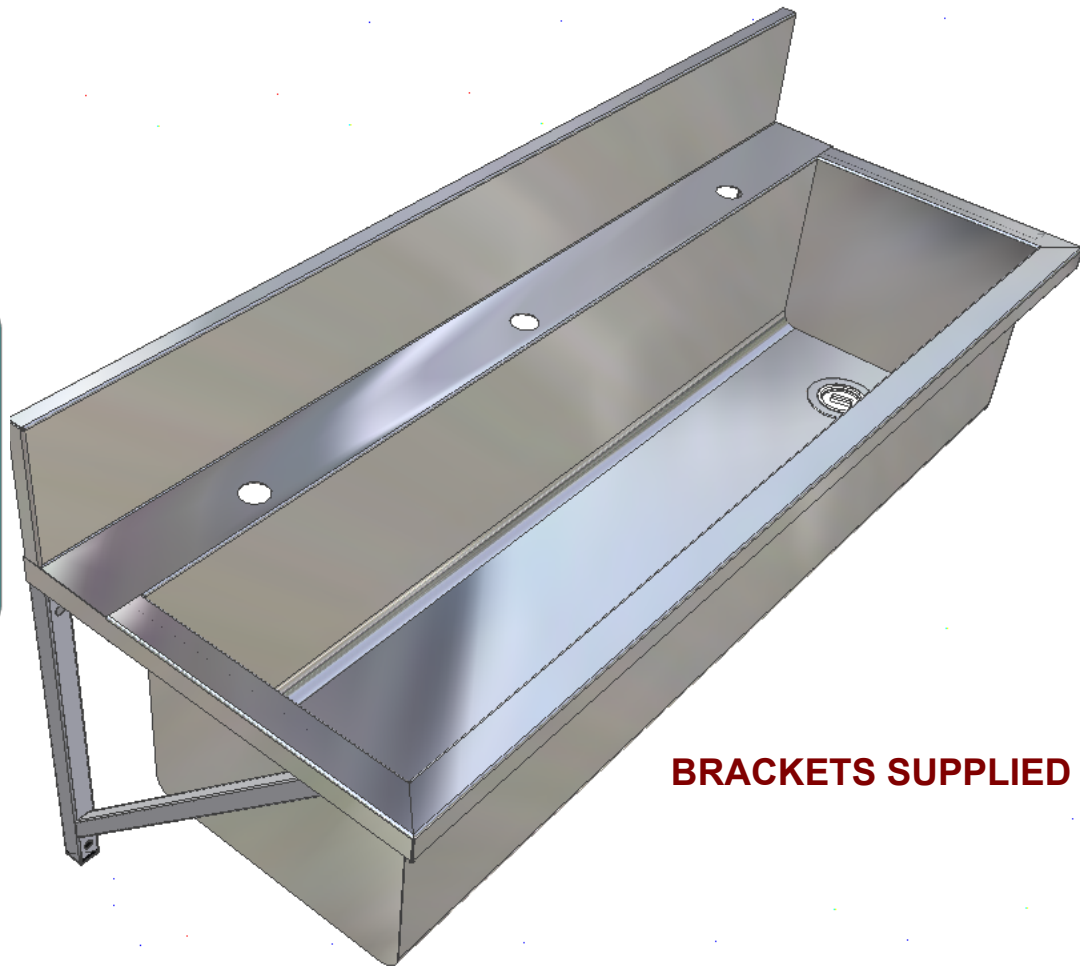
(SINCE 1962)

MATERIAL - GRADE 304 STAINLESS STEEL

## WASH TROUGH

### OPTIONS

- \* END OR CENTRE OUTLETS
- \* TAP HOLES
- \* PRE-PLUMBED WITH YOUR CHOICE OF TAPWARE



**BRACKETS SUPPLIED**

### \* TYPICAL USE -

-- A WASH OR PRACTICAL ACTIVITIES TROUGH WHEN INCREASED DEPTH IS REQUIRED.

\* SCHOOLS -- ESPECIALLY ART OR CRAFT WORK

\* INDUSTRY -- HANDS OR COMPONENTS WASHING

**DATA SHEET**

**ITEM: WASH TROUGH**

**CODE: WT-4**

**DATE:**

**MARCH - 2003**

**REV:**

**C**

**PAGE No:**

**73**

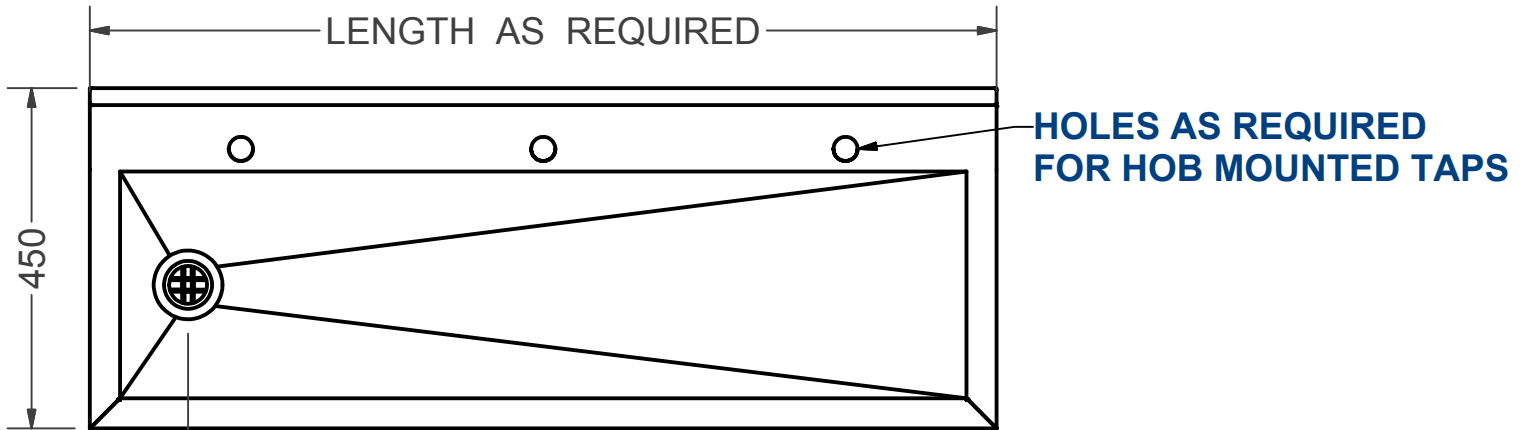
# STAINLESS METAL CRAFT

6 BROMLEY ROAD EMU PLAINS 2750  
 PHONE: (02) 4735 5666 FAX: (02) 4735 7950  
 E-MAIL [info@smcstainless.com.au](mailto:info@smcstainless.com.au)  
[www.smcstainless.com.au](http://www.smcstainless.com.au)

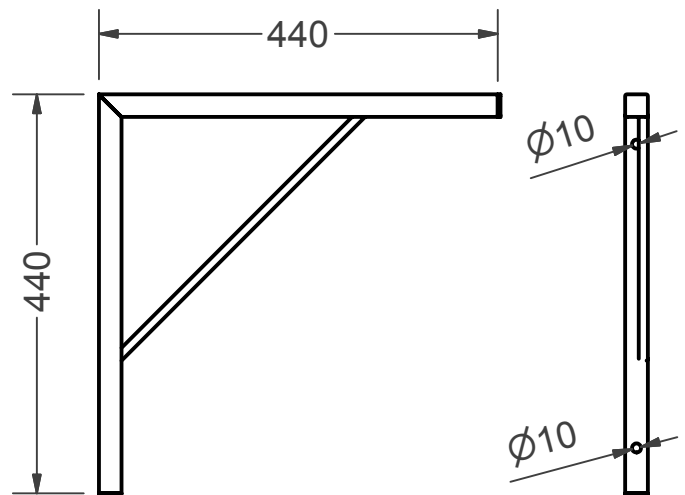
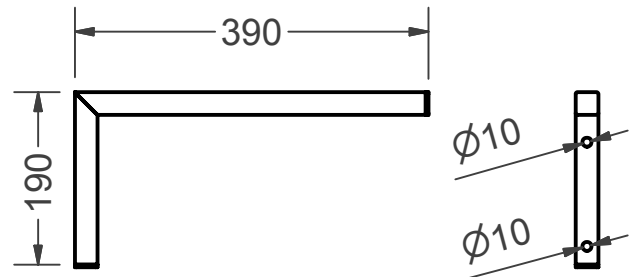
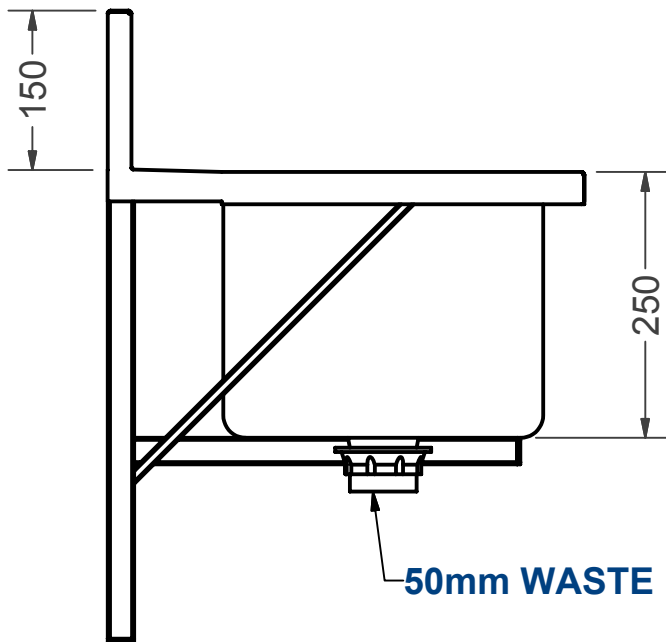
THE STAINLESS STEEL PEOPLE

(SINCE 1962)

MATERIAL - GRADE 304 STAINLESS STEEL



**130 MINIMUM END OUTLET PREFERRED**



**SPECIFICATIONS -  
 STAINLESS STEEL WASH TROUGH  
 SHALL BE MODEL WT-4 FROM  
 STAINLESS METAL CRAFT  
 PHONE: 02 4735 5666**

**BRACKETS SUPPLIED  
 MAX 1200mm SPACING**

**DATA  
 SHEET**

**ITEM: WASH TROUGH**

**CODE: WT-4**

**DATE:**

**MARCH - 2003**

**REV:**

**C**

**PAGE No:**

**73**