

STAINLESS METAL CRAFT

6 BROMLEY ROAD EMU PLAINS 2750
PHONE: (02) 4735 5666 FAX: (02) 4735 7950
E-MAIL info@smcstainless.com.au
www.smcstainless.com.au

THE STAINLESS STEEL PEOPLE

(SINCE 1962)

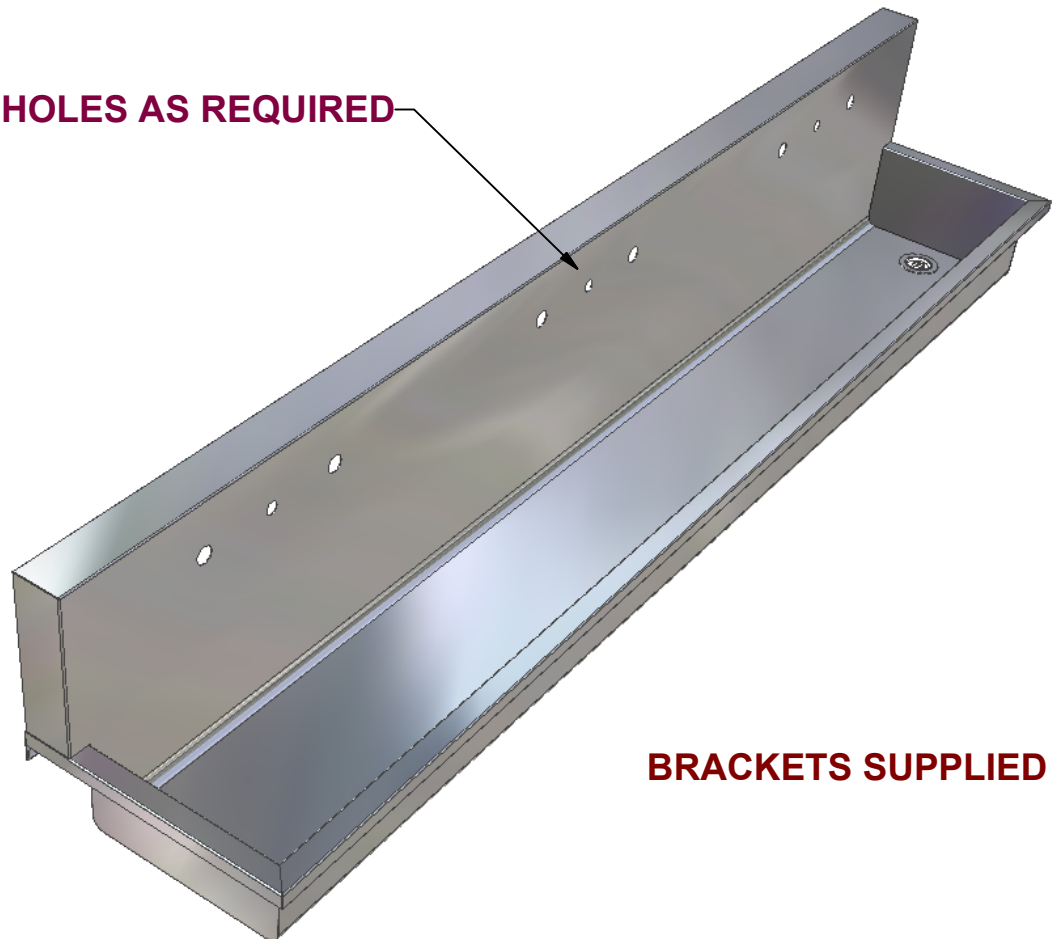
MATERIAL - GRADE 304 STAINLESS STEEL

WASH TROUGH

OPTIONS

- * END OR CENTRE OUTLETS
- * TAP HOLES
- * PRE-PLUMBED WITH YOUR CHOICE OF TAPWARE

HOLES AS REQUIRED



BRACKETS SUPPLIED

* TYPICAL USE -

-- A WASH OR PRACTICAL ACTIVITIES TROUGH
WHEN INCREASED DEPTH IS REQUIRED.

* SCHOOLS -- ESPECIALLY ART OR CRAFT WORK

* INDUSTRY -- HANDS OR COMPONENTS WASHING

**DATA
SHEET**

ITEM: WASH TROUGH

CODE: WT-6

DATE:

SEPTEMBER - 2003

REV:

C

PAGE No:

74

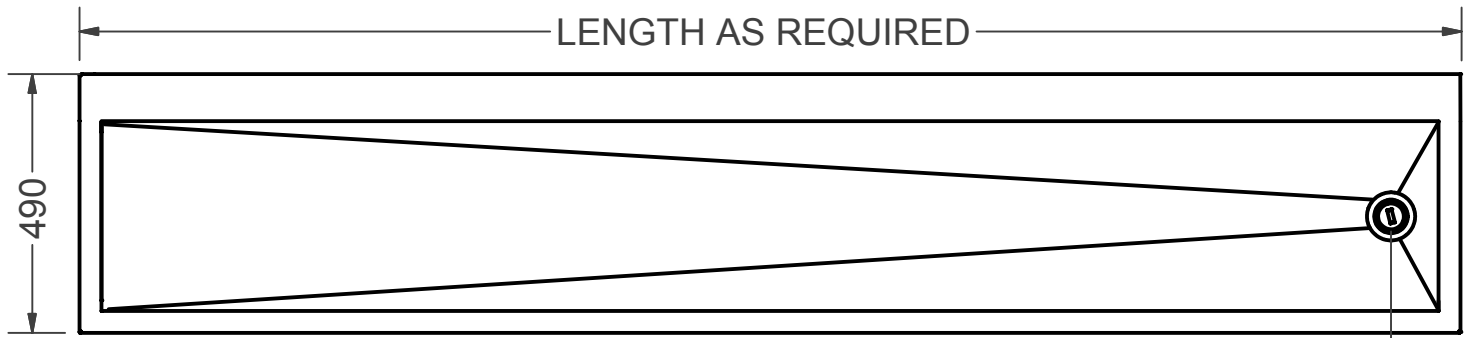
STAINLESS METAL CRAFT

6 BROMLEY ROAD EMU PLAINS 2750
 PHONE: (02) 4735 5666 FAX: (02) 4735 7950
 E-MAIL info@smcstainless.com.au
www.smcstainless.com.au

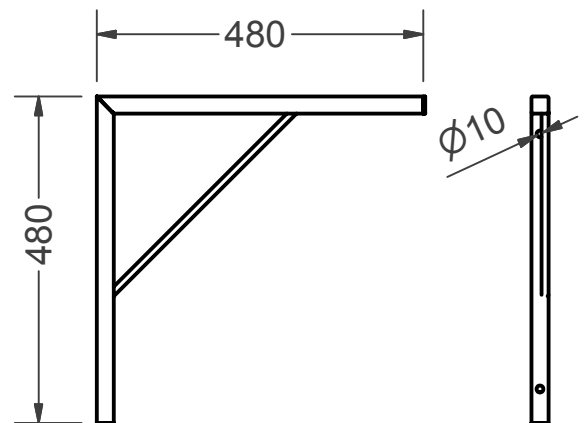
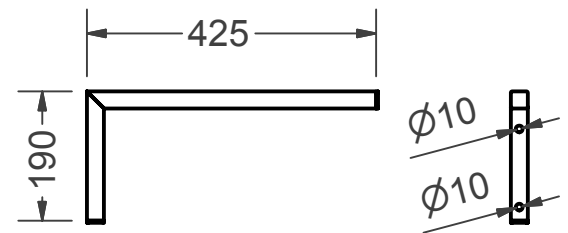
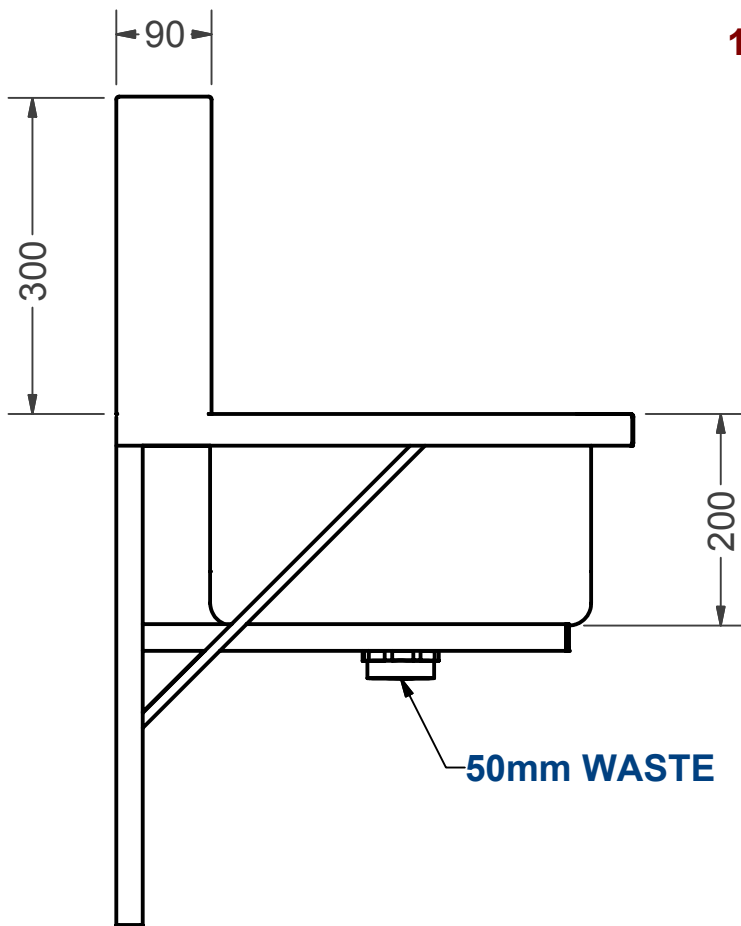
THE STAINLESS STEEL PEOPLE

(SINCE 1962)

MATERIAL - GRADE 304 STAINLESS STEEL



130 MINIMUM END OUTLET PREFERRED



**SPECIFICATIONS -
 STAINLESS STEEL WASH TROUGH
 SHALL BE MODEL WT-6 FROM
 STAINLESS METAL CRAFT
 PHONE: 02 4735 5666**

**BRACKETS SUPPLIED
 MAX 1200mm SPACING**

**DATA
 SHEET**

ITEM: WASH TROUGH

CODE: WT-6

DATE:	SEPTEMBER - 2003
REV:	C PAGE No: 74