

# STAINLESS METAL CRAFT

6 BROMLEY ROAD EMU PLAINS 2750  
PHONE: (02) 4735 5666 FAX: (02) 4735 7950  
E-MAIL [info@smcstainless.com.au](mailto:info@smcstainless.com.au)  
[www.smcstainless.com.au](http://www.smcstainless.com.au)

THE STAINLESS STEEL PEOPLE

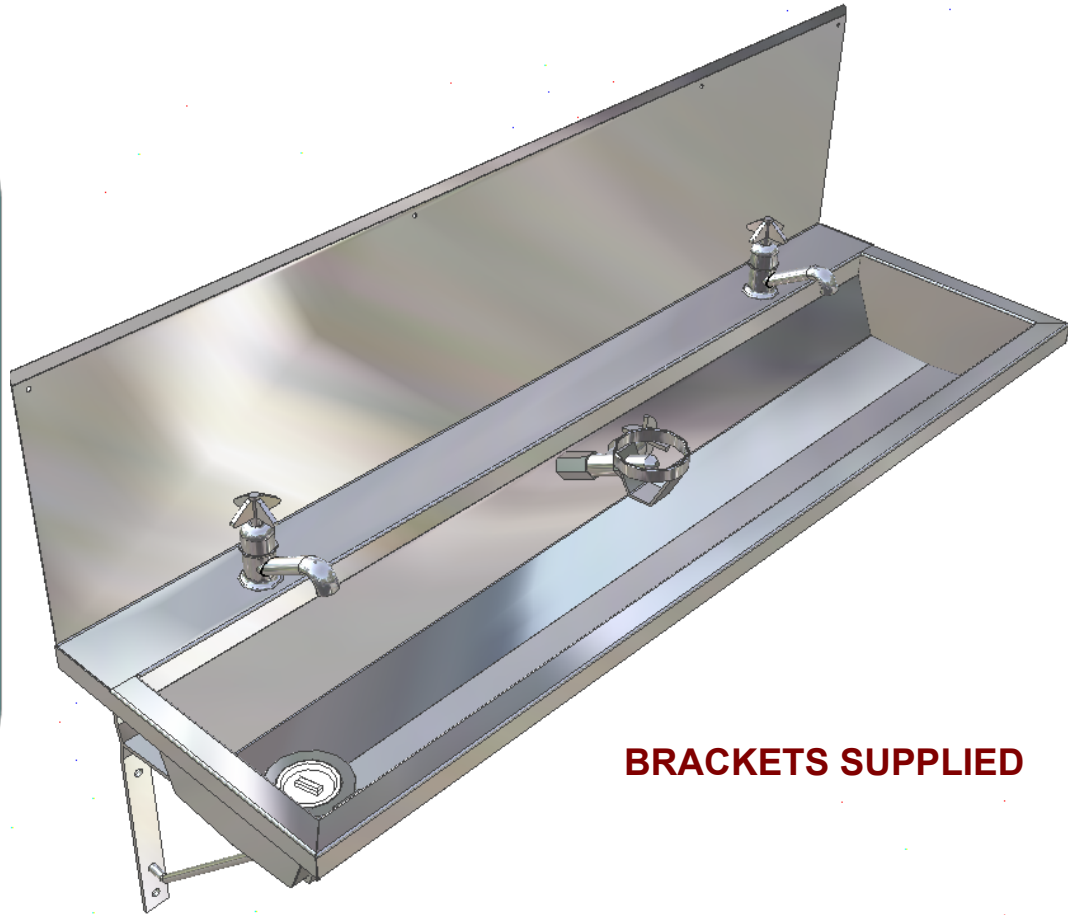
(SINCE 1962)

MATERIAL - GRADE 304 STAINLESS STEEL

## WALLSEND PATTERN WASH TROUGH

### OPTIONS

- \* END OR CENTRE OUTLET
- \* PRE - PLUMBED WITH PILLAR TAPS OR BUBBLERS
- \* 300mm INTERGRATED SPLASHBACK
- \* CHAMFERED OR RADIUS CORNERS FOR SAFETY



**BRACKETS SUPPLIED**

- \* **TYPICAL USE**  
-- **SCHOOLS - EITHER AS A WASH OR BUBBLER TROUGH OR A COMBINATION OF BOTH**

**DATA  
SHEET**

**ITEM: WALLSEND PATTERN TROUGH**

**CODE: WTT-1**

**DATE:**

**MARCH - 2003**

**REV:**

**C**

**PAGE No:**

**71**

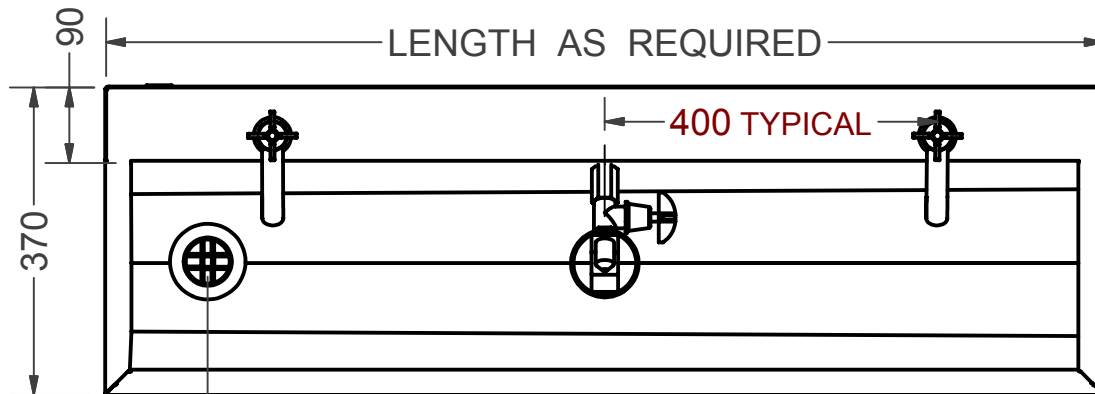
# STAINLESS METAL CRAFT

6 BROMLEY ROAD EMU PLAINS 2750  
 PHONE: (02) 4735 5666 FAX: (02) 4735 7950  
 E-MAIL [info@smcstainless.com.au](mailto:info@smcstainless.com.au)  
[www.smcstainless.com.au](http://www.smcstainless.com.au)

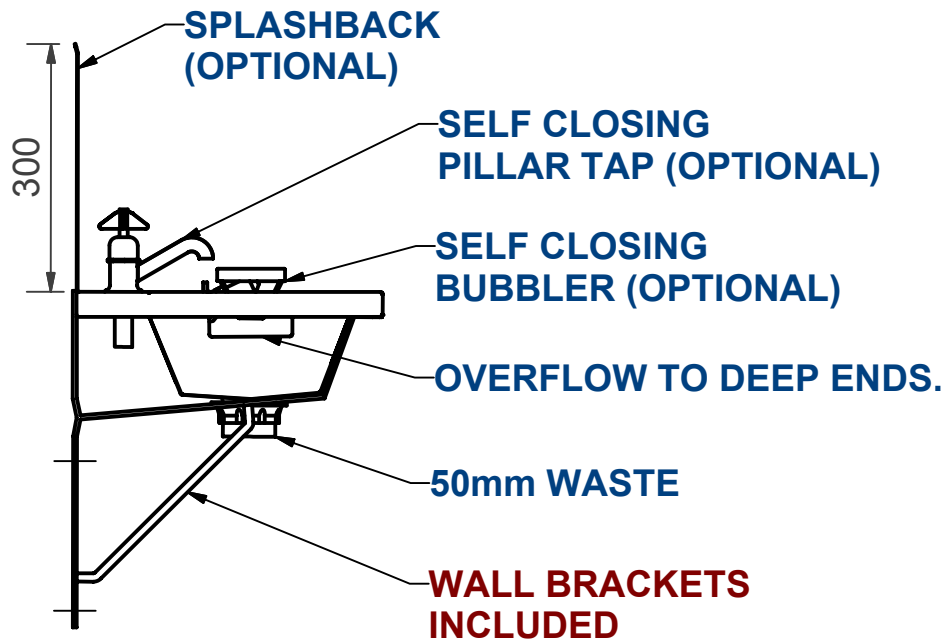
THE STAINLESS STEEL PEOPLE

(SINCE 1962)

MATERIAL - GRADE 304 STAINLESS STEEL



**120 MINIMUM  
 END OUTLET PREFERRED**



**SPECIFICATIONS -  
 STAINLESS STEEL WASH / BUBBLER TROUGH  
 SHALL BE MODEL WTT-1 FROM  
 STAINLESS METAL CRAFT  
 PHONE: 02 4735 5666**

**DATA  
 SHEET**

**ITEM: WALLSEND PATTERN TROUGH**

**CODE: WTT-1**

**DATE:**

**MARCH - 2003**

**REV:**

**C**

**PAGE No:**

**71**